

PB103



UPC Code: 07847708572

Country Of Origin: Mexico

Brand Features

Leviton Power Centers feature a variety of GFCI protected outlets and standard outlets to accommodate the variety of portable power equipment being used throughout the jobsite.

Item Description

The Box 50A 125/250 Volt Temporary Portable Power Distribution Center w/ 6 5-20R Straight GFCI Protected Outlets and One L6-30R Locking Non-GFCI Protected Outlet - Yellow

Technical Information

Electrical Specifications

Grounding: GFCI Grounding

Power Center Rating: 50A 125/250 Volt

Dielectric Voltage: Withstands 1500V per UL498

Current Interrupting: 2 kA

Temperature Rise: Max 30C after 50 cycles OL at 150 percent rated current

Trip Level: 5mA plus or minus 1mA

Environmental Specifications

Housing Rating: UL Listed for Outdoor Use

Flammability: Rated V-2 per UL94

Operating Temperature: -35C to +66C

Material Specifications

Housing Material: Reinforced Metal

Color: Yellow

Mechanical Specifications

Terminal ID: Brass-Hot, Green-Ground, Silver-Neutral

Power Inlet: 50A 125/250 Volt 3P 4W, Grounding Non-NEMA

Feed-Through Outlet: 50A 125/250 Volt 3P 4W, Grounding Non-NEMA

20 Amp Outlets: 6 5-20R Straight GFCI Protected

30 Amp 250V Outlet: One L6-30R Locking Non-GFCI Protected

Product ID: Ratings and NEMA I.D. permanently marked on device

Product Features

Color: Yellow

Standards and Certifications

NEMA: WD-6

ANSI: C-73

UL 943: Class A (GFCI)

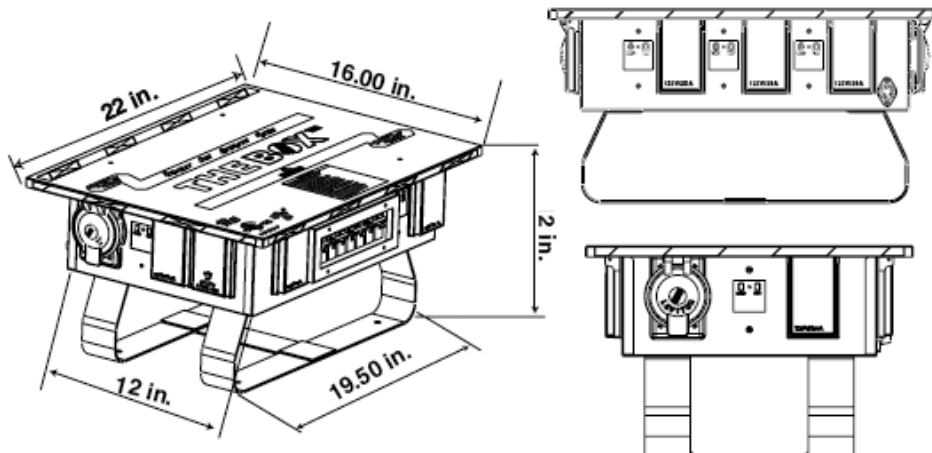
UL Listed: E-48380

CSA C22.2: File LR-57811

OSHA: Reg 20, Part 1926, Subpart K for open-neutral GFCI

NOM: 057

Warranty: 1-Year Limited



SPECIFICATION SUBMITTAL

JOB NAME:	CATALOG NUMBERS:	
<input type="text"/>	<input type="text"/>	<input type="text"/>
JOB NUMBER:	<input type="text"/>	<input type="text"/>

Leviton Manufacturing Co., Inc.

201 North Service Road, Melville, NY 11747

Teléfono: +1-800-323-8920 · FAX: +1-800-832-9538 · Tech Line (8:30AM-7:30PM E.S.T. Monday-Friday): +1-800-824-3005

Leviton Manufacturing of Canada, Ltd.

165 Hymus Boulevard, Pointe Claire, Quebec H9R 1E9 · Telephone: +1-800-469-7890 ·

FAX: +1-800-824-3005 · www.leviton.com/canada

Leviton S. de R.L. de C.V.

Lago Tana 43, Mexico DF, Mexico CP 11290 · Tel.: (+52)55-5082-1040 · FAX: (+52)5386-

1797 · www.leviton.com.mx

Visit our Website at: www.leviton.com

© 2018 Leviton Manufacturing Co., Inc. Todos los derechos reservados. Subject to change without notice.

Leviton has a global presence.

If you would like to know where your local Leviton office is located please go to:

www.leviton.com/international/contacts/

