

The *DECORA*[®] Collection of Designer Devices



For Architects,
Specifiers,
Interior
Decorators
and Electrical
Professionals

Decorate Your World



Light Up a Room

It's not where you begin but how you finish. Paint, wallpaper, and draperies. Now add the finishing touch. The Decora collection complements today's decorating trends with coordinating hues to brighten any color palette. See the Decora decorating list and see the big difference.

Elements by Decora®
SmartLock™ GFCI
D8599-WML
in D0301-WML

Vizia™
Digital Dimmer
VZI06-L in
80301-SW Wallplate

TouchPoint™
Preset Digital
Touch-Pad
Dimmer
TPI10-1LA in
80301-SA
Wallplate

True Touch™ Digital
Touch Dimmer
TTI10-10A in
80301-SA Wallplate

IllumaTech™
Rotary Dual Quiet
Fan Speed and Dimmer
RTD01-0AW in
80301-SW Wallplate

Dimmers Enhance Freshly Painted Walls

Show your new paint colors in the best light with a Decora dimmer. You can change the mood of a room with a touch of your fingertip. Adjust the dimming level for romantic and festive occasions.

Sound Off in Comfort and Style

Surround yourself with the sound effects of a home theater, while Voice and Data products provide the connections to ensure the show goes on. Choose from a large selection of Leviton Integrated Networks products and Structured Media systems, including volume controls, as well as QuickPort snap-in modules, all wrapped in Decora style.

Finish your room with **DECORA** by Leviton

Finish a room that pulls it together. You've splurged on designer paints, custom fabrics and a touch of Decora switches, dimmers, outlets, lighting controls, and voice and data devices. Stay on top of today's decorating trends and simplifies everyday living. It is available in a wide range of finishes to match your décor scheme. When you change your décor, change it all the way. Add Decora to your home. The significant little details can make in your home.

You're not done decorating without Decora

Match Your New Granite Countertop

Gleaming finishes in your newly remodeled kitchen call for GFCI outlets that complement natural surfaces. *Elements* by Decora finishes blend with any décor. For added comfort, install a Decora dimmer and fan speed control.

Combination
Switch/SmartLock®
GFCI Outlet
8299-W in
80301-SW Wallplate

Electronic
Timer Switch
6515M-W in
80301-SW
Wallplate

Create a Splash in the Bathroom

Decora devices look great against tile and offer the safety and comfort you need in a bathroom. Install a combination switch/GFCI receptacle and you have GFCI protection wrapped in sleek Decora styling. Add a Decora timer switch for your hot tub or heat lamps.

Decora QuickPort
Voice & Data Modules
in 41643-W Insert,
in 80301-SW Wallplate

Decora Strauss™
Transformer-Free
Volume Controls
SGVST-W in
80301-SW Wallplate

Explore the
Many Ways
Decora
Decorates
Your World

DECORA[®]

Products Are in Demand

Offering Decora devices gives your customers the assurance of a brand they recognize. Leviton has enjoyed a century of building brand awareness and continues to successfully promote Decora, its premier line. That's why you'll see Decora in the pages of the highly regarded *Better Homes & Gardens* publications and other well-known home improvement magazines. Decora is the number-one choice in residential electrical devices. So providing your customers with what they are asking for—Decora—is certain to raise profits.

Vizia™ Preset
Digital Dimmer
VZI06-1L in 80301-SW
Wallplate

DHC Seven-Scene
Dimming
Wall Switch Controller
HXC7S-1TW
in 80301-SW
Wallplate

Decora in Any Setting

Decora Plus products provide superior quality and performance to meet the demands of commercial applications.



Dual-Relay Decora Wall Switch
Infrared Occupancy Sensor
ODS0D-IDG
in 80301-SGY Wallplate

Decora Plus products enrich commercial interiors by combining sleek design and the ultimate in technology.



Elements by Decora® Receptacle
D5325-BML in D0301-BML

Elements by Decora® collection of decorative devices in designer finishes adapts to the look of any room.

Decora's Durable Industrial and Hospital Grade Offerings Are Always On-Call

Built for optimum reliability in the most demanding installations.



Industrial Grade
TVSS Duplex Receptacle
5280-GY in 80401-GY Wallplate

Industrial Grade TVSS duplex receptacles are designed to provide point-of-use surge protection for all electronic equipment.



Hospital Grade
SmartLock® GFCI Receptacle
with Indicator Light
8598-HGR in 80401-NR Wallplate

Hospital Grade Decora devices are ideal for a wide range of health-care environments.



Table of Contents

Introducing Decora	<i>i-v</i>
Switches	<i>A</i>
Receptacles/SmartLock® GFCIs	<i>B</i>
Combination Devices	<i>C</i>
Wallplates	<i>D</i>
Lighting Controls	<i>E</i>
Voice, Data, Video and Audio Devices	<i>F</i>
Decora Home Controls	<i>G</i>
Technical – Dimensional Drawings	<i>T</i>
Catalog Number Index	<i>I</i>

Experience the Decora Difference: Decora® Wiring Devices

Decora devices are engineered for fine appearance and top performance. The Decora rocker switch mechanism operates smoothly and quietly. The highest quality materials and production methods are used to assure long, trouble-free service. Special features speed installation time. All Decora devices exceed applicable UL, NOM and CSA testing standards.

Decora® Plus

Decora Plus Commercial Specification Grade Devices combine elegance with rugged construction. These devices are ideal when both style and strength are needed for upscale commercial and residential installations. Decora Plus also features sleek, screwless wallplates that snap into place. They can be used to retrofit any existing Decora installation and eliminate visible screwheads.

Decora Lighting Controls

The comprehensive selection of Decora Lighting and Fan Speed Controls represents Leviton's on-going commitment to lighting design. Decora lighting controls are available for incandescent, low-voltage and fluorescent lamp types. In addition, energy-saving Occupancy Sensor Wall Switches and Decora Home Controls devices combine advanced lighting control technologies with Decora styling.

Elements by Decora® Decorative Finishes

New *Elements* by Decora®, a perfectly coordinated collection of decorative devices in rich marble and wood finishes that blend seamlessly into high-end contemporary surfaces. This exciting collection showcases quality Decora® dimmers, switches, receptacles, SmartLock® GFCIs and snap-on wallplates.



Decora Colors

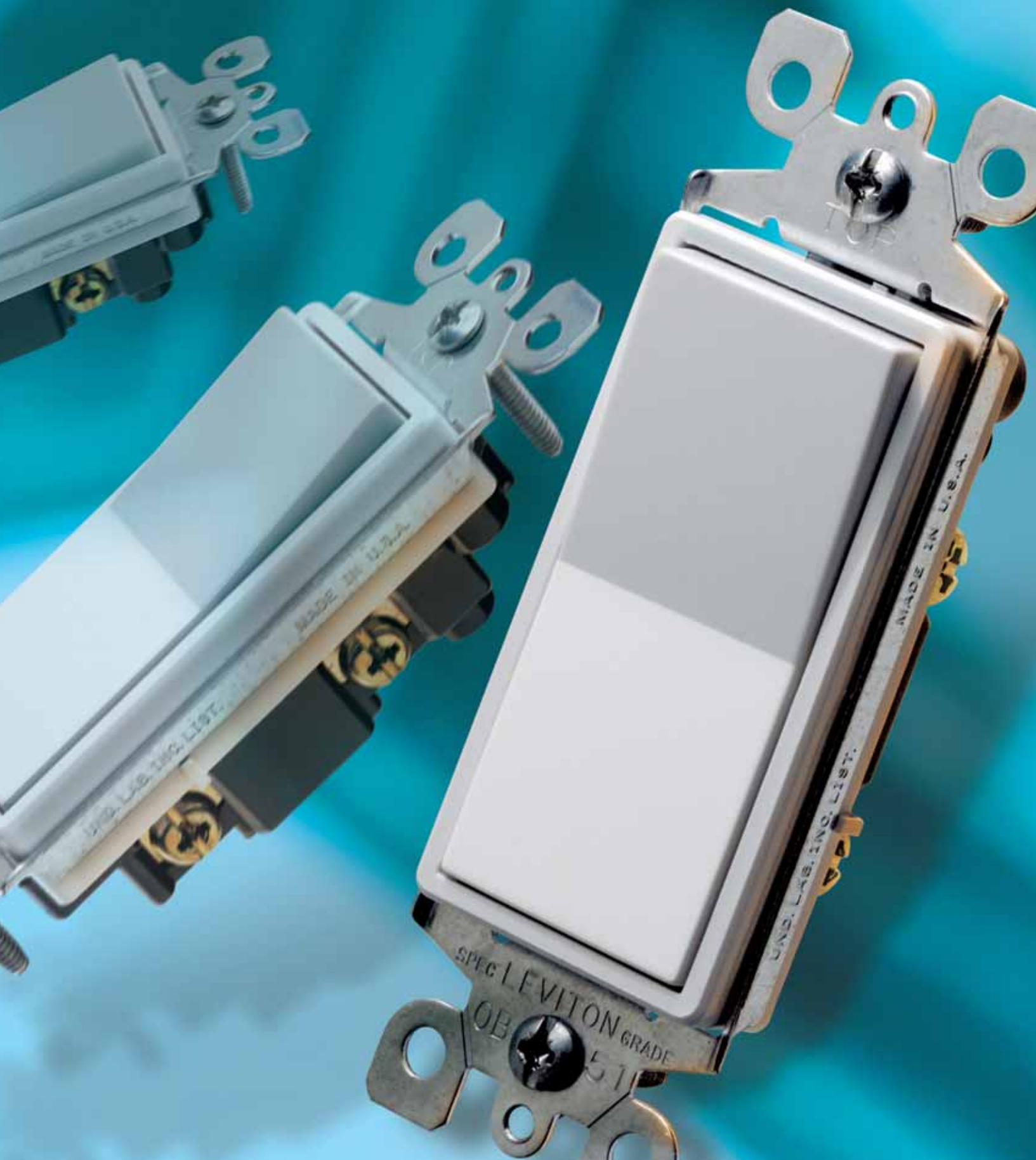
Decora devices are offered in a wide range of colors and finishes, which includes Ivory, White, Almond, Light Almond, Gray, Red, Ebony (Black), and Mahogany (Brown). A selection of metal Decora wallplates comes in aluminum, polished brass, brushed brass and satin-finish stainless steel.



Create the right ambiance with Leviton's Decora® and Decora® Plus designer switches. Decora's complete selection is available in single-pole, double-pole, 3- and 4-way versions and provides top performance and long service life in commercial and residential grades. Choose from a collection of contemporary colors, including the new Elements by Decora® collection that adapts to the look of any room.



Switches





D5691-BML
in D0301-BML

5691-2T
in 80301-ST

DECORA[®] PLUS Switches

Features & Benefits

- Now available in *Elements* by Decora[®] finishes that blend seamlessly with high-end surfaces
- Architecturally styled, smooth-action concave rocker
- Heavy-duty, impact-resistant thermoplastic construction to assure long service life in commercial applications
- Full-rated current capacity with tungsten, fluorescent or resistive loads. Motor capacity is 80% of switch rating
- Wraparound heavy-gauge strap with locking tabs for added strength
- Back and side wiring terminals accept both solid and stranded wire to ease installation
- Two ground connection options: a green grounding screw and a self-grounding clip†

Canadian Switches

- 347V switches fit only those wallplates designated for 347V AC devices
- Green grounding screw

† Self-grounding when installed in a properly grounded metal wallbox.

Testing & Code Compliance

- UL Listed (File #E-7458)
- CSA Certified (File #LR-3413)
- NOM Certified (#057)
- Compliance with the latest Federal Specification WS-896
- Backed by a Limited Ten-Year Warranty

Canadian Switches

- UL Listed (File #E-7458)
- CSA Certified (File #LR-3413)

Material Characteristics

Environmental: Flammability UL-94, V2 Rating
Operating Temperature: -40°C to 120°C

*Color

Back and Side Wired

Colors available as listed. Basic Cat. No. denotes Mahogany Brown. For other color selections add suffix to catalog numbers as follows: Ivory (-I), White (-W), Almond (-A), Light Almond (-T), Gray (-G or -GY), Red (-R), Ebony Black (-E).

**Finish

Elements by Decora Decorative Finishes

For color selections add suffix to catalog numbers as follows: Black marble (-BML), White Marble (-WML), Oak (-OAK), Walnut (-WAL).

***Canadian Color

For color selection, add suffix to Cat. No. as follows: Ivory (-I), White (-W), Almond (-A), Gray (-G), Ebony Black (-E).

Imprinted Decora Switches

Custom orders available in Ivory (-I), White (-W).

Horsepower

15 AMP	20 AMP
1/2 @ 120V	1 @ 120V
2 @ 240V	2 @ 240V

Dimensional drawings on page T2.

For more information regarding coordinating wallplates, colors, materials, single and multi-gang, refer to Wallplates, section D.

AC DESIGNER ROCKER SWITCHES Back and Side Wired 120/277V AC

Description	Cat. No. 15 AMP	Cat. No. 20 AMP	Color* (Basic Cat. No. Denotes Mahogany)
Single-Pole	5691-2	5621-2†	I, W, A, T, GY, E
Double-Pole	—	5622-2	I, W, A, T, GY, E (N/A in Mahogany)
3-Way	5693-2	5623-2†	I, W, A, T, GY, E
4-Way	—	5624-2	I, W, A, T, GY

† Available in Red (-R)

ELEMENTS BY DECORA ROCKER SWITCHES Back and Side Wired 15 AMP 120/277V AC

Description	Cat. No.	Finish**
Single-Pole	D5691	BML, WML, OAK, WAL
3-Way	D5693	BML, WML, OAK, WAL

CANADIAN ROCKER SWITCHES

Back and Side Wired

15 AMP 347V AC—Motor capacity is 80% of load rating

Description	Cat. No.	Color*** (See Canadian Color)
Single-Pole	5691-C	I, W, A, G, E
3-Way	5693-C	W
4-Way	5694-C	W

20 AMP 347V AC—Motor capacity is 80% of load rating

Description	Cat. No.	Color*** (See Canadian Color)
Single-Pole	5621-C	I, W
3-Way	5623-C	W
4-Way	5624-C	W



DECORA[®] PLUS *Illuminated and Pilot Light Switches, Momentary and Maintained Switches*

Features & Benefits

Illuminated and Pilot Light Switches

- Illuminated switch rocker illuminated when load is OFF
- 20A, 120V and 277V single-pole and 3-way versions, 60 Hz AC only
- Pilot Light rocker visible when load is ON, even in bright light
- Back and side wiring terminals accept both solid and stranded wire to ease installation
- Two ground connection options: a green grounding screw and a self-grounding clip†
- Illuminated Switch does not require a neutral; Pilot Light Switch requires a neutral

Momentary and Maintained Switches

- Full-rated current capacity with tungsten, fluorescent or resistive loads. Motor capacity is 80% of switch rating
- Wraparound heavy-gauge strap with locking tabs for added strength
- Back and side wiring terminals accept both solid and stranded wire to ease installation
- Two ground connection options: a green grounding screw and a self-grounding clip†

† Self-grounding when installed in a properly grounded metal wallbox.

20 AMP ILLUMINATED Back and Side Wired (Lens illuminated when load OFF)

Description	Cat. No.	Color*
Single-Pole, 120V 60Hz AC Only	5631-2	I, W, A, T, E
3-Way, 120V 60Hz AC Only	5633-2	I, W, A, T
Single-Pole, 277V 60Hz AC Only	5649-2	I, W
3-Way, 277V 60Hz AC Only	5659-2	W

20 AMP PILOT LIGHT Back and Side Wired (Lens illuminated when load ON)

Description	Cat. No.	Color*
Single-Pole, 120V 60Hz AC Only	5628-2	I, W, A, T
3-Way, 120V 60Hz AC Only	5638-2	I, W, A
Single-Pole, 277V 60Hz AC Only	5629-2	W
3-Way, 277V 60Hz AC Only	5639-2	W

MOMENTARY CONTACT Back and Side Wired 15 AMP 120/277V AC

Description	Cat. No.	Color* (Basic Cat. No. Denotes Mahogany)
Single-Pole, Double Throw, Center OFF	5657-2	I, W, A, T, GY, E

MAINTAINED CONTACT Back and Side Wired 15 AMP 120/277V AC

Description	Cat. No.	Color* (Basic Cat. No. Denotes Mahogany)
Single-Pole, Double Throw, Center OFF	5685-2	I, W, A, T, GY, E
Double-Pole, Double Throw, Center OFF	5686-2	I, W, A, T (N/A in Mahogany)

Testing & Code Compliance

- UL Listed (File #E-7458)
- CSA Certified (File #LR-3413)
- NOM Certified (#057)
- Compliance with the latest Federal Specification WS-896
- Backed by a Limited Ten-Year Warranty

Material Characteristics

Environmental: Flammability UL-94, V2 Rating
Operating Temperature: -40°C to 120°C

*Color

Colors available as listed. For color selections add suffix to catalog numbers as follows: Ivory (-I), White (-W), Almond (-A), Light Almond (-T), Gray (-GY), Ebony Black (-E).

Horsepower

15 AMP	20 AMP
1/2 @ 120V	1 @ 120V
2 @ 240V	2 @ 240V

Dimensional drawings on page T2.

To learn more about Leviton's outstanding offering of devices, visit our Website at www.leviton.com





5601-2T
in 80301-ST

DECORA® Designer Rocker Switches

Features & Benefits

- Switch frame shields against dust and fits in wallplate to prevent rocker binding
- Side Wire and Quickwire (No. 12 or No. 14 copper or copper clad wire) push-in terminal wiring options
- Sturdy construction for long service life
- Full-rated current capacity with tungsten, fluorescent or resistive loads. Motor capacity is 80% of switch rating
- Conform to all NEMA standard specifications
- Complements every decor

15 AMP Quickwire Push-In and Side Wired 120/277V AC

Description	Cat. No.	Color*
Single-Pole	5601	Mahogany
	5601-I	Ivory
	5601-W	White
	5601-2	Mahogany
	5601-2I	Ivory
	5601-2W	White
	5601-2A	Almond
	5601-2T	Light Almond
	5601-2E	Ebony
	5601-2GY	Gray
	5601-S2I†	Ivory
	5601-S2W†	White
	5601-S2A†	Almond
Double-Pole	5602-2I	Ivory
	5602-2W	White
	5602-2A	Almond
	5602-2T	Light Almond
	5602-2E	Ebony
Three-Way	5603	Mahogany
	5603-I	Ivory
	5603-W	White
	5603-2	Mahogany
	5603-2I	Ivory
	5603-2W	White
	5603-2A	Almond
	5603-2T	Light Almond
	5603-2E	Ebony
	5603-2GY	Gray
	5603-S2I†	Ivory
	5603-S2W†	White
5603-S2A†	Almond	
Four-Way	5604-2	Mahogany
	5604-2I	Ivory
	5604-2W	White
	5604-2A	Almond
	5604-2T	Light Almond
	5604-2E	Ebony
	5604-2GY	Gray

Testing & Code Compliance

- UL Listed (File #E-7458)
- CSA Certified (File #LR-3413)
- NOM Certified (#057)
- Backed by a Limited Two-Year Warranty

Material Characteristics

Environmental: Flammability UL-94, V2 Rating
Operating Temperature: -40°C to 120°C

*Color

Rocker/frame color available as listed.

Horsepower

15 AMP

1/2 @ 120V

2 @ 240V

Dimensional drawings on page T2.

For more information regarding coordinating wallplates, colors, materials, single and multi-gang, refer to Wallplates, section D.

Note: To order Decora rocker switches with grounding screw add suffix -2 (i.e. 5601-2I)

†Self-grounding when installed in a properly grounded metal wallbox.



5611-2A
in 80401-A

DECORA® Illuminated Designer Rocker Switches

Features & Benefits

- Illuminated switch rocker illuminated when load is OFF
- Pilot Light switch rocker visible when load is ON, even in bright light
- Switch border shields against dust and fits in wallplate to prevent rocker binding
- Side-wiring terminals accept both solid and stranded wire to ease installation
- Illuminated Switch does not require a neutral; Pilot Light Switch requires a neutral
- Full-rated current capacity with tungsten, fluorescent or resistive loads. Motor capacity is 80% of switch rating
- Conform to all NEMA standard specifications

Imprinted Decora Switches

- Stock Decora switches available with choice of three imprints on rocker:
FAN, DISPOSAL, OIL BURNER

15 AMP

Quickwire and Side Wired 120/277V AC (Lens illuminated when load OFF – does not require a neutral wire)

Description	Cat. No.	Color*
Single-Pole	5611-I	Ivory
	5611-W	White
	5611-2I	Ivory
	5611-2W	White
	5611-2A	Almond
	5611-2T	Light Almond
3-Way	5613-I	Ivory
	5613-W	White
	5613-2I	Ivory
	5613-2W	White
	5613-2A	Almond
	5613-2T	Light Almond
4-Way	5614-2I	Ivory
	5614-2W	White
	5614-2A	Almond
	5614-2T	Light Almond

Note: To order Decora rocker switches with grounding screw add suffix -2 (i.e. 5611-2I)

Testing & Code Compliance

- UL Listed (File #E-7458)
- CSA Certified (File #LR-3413)
- NOM Certified (#057)
- Backed by a Limited Two-Year Warranty

Material Characteristics

Environmental: Flammability UL-94, V2 Rating
Operating Temperature: -40°C to 120°C

*Color

All switches except imprinted:
For color choice, add suffix to catalog numbers as follows: Ivory (-I), White (-W), Almond (-A), Light Almond (-T), Ebony Black (-E).

Horsepower

15 AMP
1/2 @ 120V
2 @ 240V

Dimensional drawings on page T2.

15 AMP

Imprinted Switches 120/277V AC

Description	Cat. No.	Stock Messages Available
Single-Pole, Ivory, Stock or Custom Imprinted	5601-Z2I	FAN, DISPOSAL, OIL BURNER
Single-Pole, White, Stock or Custom Imprinted	5601-Z2W	FAN, DISPOSAL, OIL BURNER

15 AMP

Molded Rocker Switches 120/277V AC

Description	Cat. No.	Color*
Single-Pole, ON/OFF Molded in Rocker	5601-X2I	Ivory
	5601-X2W	White
	5601-X2A	Almond
	5601-X2E	Black

15 AMP

Quickwire and Side Wired Pilot Light (Lens illuminated when load ON – requires a neutral wire)

Description	Cat. No.	Color*
Single-Pole, 120V 60Hz AC 1/2 HP	5618-2	I, W, A, T

Leviton's Decora® Residential Grade designer receptacles are engineered for fine appearance, speedy installation and top performance using durable thermoplastic and impact-resistant construction. Leviton's Decora and Decora® Plus Industrial Specification Grade (including Hospital Grade) and Commercial Specification Grade devices offer a broad choice of wiring options and features.

For the smartest choice in ground fault circuit interrupter (GFCI) protection, install Leviton's SmartLock® GFCIs with patented lockout action.

The collection is available in coordinating colors and new Elements by Decora® finishes.





DECORA[®] PLUS Receptacles



Features & Benefits

- Durable thermoplastic face is available in an array of designer colors
- Receptacles have a locked-in mounting strap with a self-grounding clip† riveted to the strap
- Tamper-resistant receptacles are Hospital Grade (identified by a green dot on the face) and include a unique shutter mechanism that opens easily for the insertion of 2- or 3-prong plugs while preventing entry by other small objects into either outlet slot
- Isolated Ground receptacles are Hospital Grade (identified by an orange triangle on the face). They eliminate electromagnetic interference by providing a separate path to ground isolated from the conventional grounding system
- Back and side wiring terminals permit fast installation of up to No.12 solid or stranded conductors
- Triple-wipe copper alloy contacts ensure maximum conductivity
- Indicator Light meets UL 498 Hospital Grade identification requirements and provides visual confirmation that the device is energized

† Self-grounding when installed in a properly grounded metal wallbox.

DECORA PLUS RECEPTACLES Back and Side Wired NEMA 5-15R & 5-20R

(Basic Cat. No. denotes Mahogany device, except Isolated Ground devices—Basic Cat. No. denotes Orange device)

Description	Cat. No./Color* 15A/125V	Cat. No./Color* 20A/125V
	5-15R 	5-20R 
Hospital Grade, Duplex	16262-HG I, W, G, R (N/A in Mahogany)	16362-HG I, W, A, G, R (N/A Mahogany)
Hospital Grade, Tamper Resistant Duplex	16262-SG I, W, A, R	—
Hospital Grade, Isolated Ground Duplex	16262-IG B, I, W, G, R, E	16362-IG B, I, W, G, R
Hospital Grade, Indicator Light Duplex	16262-PL I, W, R (N/A in Mahogany)	16362-PL I, W, R (N/A in Mahogany)
Industrial Grade, Duplex	16262 I, W, GY, E	16362 I, W, A, T, GY, E

WALLPLATES FOR ISOLATED GROUND DEVICES Engraved with "Isolated Ground"

Description	Cat. No.	Color*
Decora Receptacle Wallplate	80401-IG	Orange only



16262-SGI
in 80401-I

Testing & Code Compliance

- UL Listed (File #E-13399)
- CSA Certified (File #LR-406)
- NOM Certified (#057)
- Backed by a Limited Ten-Year Warranty

Material Characteristics

Environmental: Flammability UL-94, V2 Rating
Operating Temperature: -40°C to 60°C
Maximum Continuous

*Color

Basic Cat. No. denotes Mahogany device (unless indicated) and Orange for Isolated Ground (-IG) Devices. Isolated Ground Receptacle is distinguished by an orange triangle on its face. For other color selections, add suffix to the catalog number as follows: Ivory (-I), White (-W), Almond (-A), Light Almond (-T), Mahogany (for IG devices only, add -B), Red (-R), Gray (-G or -GY), Ebony Black (-E).

Dimensional drawings on page T2.

For more information regarding coordinating wallplates, colors, materials, single and multi-gang, refer to Wallplates, section D.



16352-GY
in 80401-GY

DECORA[®] PLUS Receptacles

Features & Benefits

- Back wire and side wire terminal options (except side wire only)
- Heavy-gauge zinc-plated steel locked-in wraparound strap
- Terminal screws accept up to No. 12 solid or stranded wire/conductors
- Labor-saving self-grounding clip†
- Heavy-duty triple-wipe brass contacts for long service life
- Impact-resistant thermoplastic construction

† Self-grounding when installed in a properly grounded metal wallbox.

DECORA PLUS RECEPTACLES Back and Side Wired, Self-Grounding† NEMA 5-15R, 6-15R, 5-20R & 6-20R (Basic Cat. No. denotes Mahogany device)

Description	Cat. No./Color* 15A/125V	Cat. No./Color* 15A/250V	Cat. No./Color* 20A/125V	Cat. No./Color* 20A/250V
	5-15R	6-15R	5-20R	6-20R
Duplex	16252 I, W, A, T, GY, E	16662 I, W (N/A in Mahogany)	16352 I, W, A, T, GY, E	16462 I, W (N/A in Mahogany)
Single	16251 I, W	16651 I, W (N/A in Mahogany)	16351 I, W	16451 I, W (N/A in Mahogany)

† Self-grounding when installed in a properly grounded metal wallbox.

Side Wired, Self-Grounding† NEMA 5-15R, 6-15R, 5-20R & 6-20R (Basic Cat. No. denotes Mahogany device)

Description	Cat. No./Color* 15A/125V	Cat. No./Color* 15A/250V	Cat. No./Color* 20A/125V	Cat. No./Color* 20A/250V
	5-15R	6-15R	5-20R	6-20R
Duplex	16242 I, W, E	—	16342 I, W, GY, E	—
Single	16241 I, W (N/A in Mahogany)	16641 I, W (N/A in Mahogany)	16341 I, W, A, T, GY, E	16441 I, W, A, T (N/A in Mahogany)

† Self-grounding when installed in a properly grounded metal wallbox.

Back and Side Wired, Self-Grounding† 125V/250V Dual Voltage NEMA 5-15R & 6-15R

Description	Cat. No.	Color
Duplex, Dual Voltage	16292 (N/A in Mahogany)	I, W

† Self-grounding when installed in a properly grounded metal wallbox.

Testing & Code Compliance

- UL Listed (File #E-13399)
- CSA Certified (File #LR-406)
- NOM Certified (#057)
- Backed by a Limited Ten-Year Warranty

Material Characteristics

Environmental: Flammability UL-94, V2 Rating
Operating Temperature: -40°C to 60°C
Maximum Continuous

*Color

Basic Cat. No. denotes Mahogany Brown (unless indicated). For other color selections, add suffix to the catalog number as follows: Ivory (-I), White (-W), Almond (-A), Light Almond (-T), Gray (-GY), Ebony Black (-E).


Dimensional drawings on page T2–T3.

DECORA® Receptacles

Features & Benefits


- Now available in *Elements* by Decora® finishes that blend seamlessly with high-end surfaces
- Side Wire terminal screws accept up to 12 AWG copper wire
- Quickwire™ holes accept No. 14 AWG copper wire
- Heavy-gauge zinc-plated steel mounting strap
- Heavy-duty double-wipe brass contacts for long service life

DECORA RECEPTACLES Side Wire and Quickwire NEMA 5-15R

Description	Cat. No. 15A/125V	Color* (Basic Cat. No. Denotes Mahogany)
	5-15R 	
Duplex	5325	I, W, A, T, GY, E
Duplex, Self-Grounding Clip	5325-St	I, W, A, T (N/A in Mahogany)
Duplex, 8-Hole Quickwire	5328	I, W, A (N/A in Mahogany)

† Self-grounding when installed in a properly grounded metal wallbox.

ELEMENTS BY DECORA RECEPTACLE Side Wire and Quickwire NEMA 5-15R

Description	Cat. No. 15A/125V	Finish**
	5-15R 	
Duplex	D5325	BML, WML, OAK, WAL

D5325-BML
in D0301-BML

5325-T
in 80301-ST

Receptacles/GFCIs

Testing & Code Compliance

- UL Listed (File #E-13399)
- CSA Certified (File #LR-406)
- NOM Certified (#057)
- Backed by a Limited One-Year Warranty

Material Characteristics

Environmental: Flammability UL-94, V2 Rating
Operating Temperature: -40°C to 60°C
Maximum Continuous

*Color

Basic Cat. No. denotes Mahogany Brown (unless indicated). For other color selections, add suffix to the catalog number as follows: Ivory (-I), White (-W), Almond (-A), Light Almond (-T), Gray (-GY), Ebony Black (-E).

**Finish

Elements by Decora Decorative Finishes

For color selections, add suffix to the catalog number as follows: Black Marble (-BML), White Marble (-WML), Oak (-OAK), Walnut (-WAL).

Dimensional drawings on page T3.

For more information regarding coordinating wallplates, colors, materials, single and multi-gang, refer to Wallplates, section D.



8280-B
in 80401-NB

As Seen On



DECORA® Surge Suppressor Receptacles

Features & Benefits

- Decora-styled TVSS receptacles protect sensitive electronic equipment against transient voltage surges
- Superior 3-mode protection between line and neutral, line and ground, and neutral and ground
- Monitor/Indicator light shows 3-mode protection is active
- Fuse-protected internal circuitry
- Super impact-resistant thermoplastic face
- RFI and EMI noise filtration (-35db, @ 5KHz-30MHz)
- Supplied with Decora wallplate
- Hospital Grade and 7280/7380 versions include green LED indicator light that goes out and audible alarm that sounds when protection is lost
- Industrial Grade versions include green LED indicator light that goes out when protection is lost
- Maximum Continuous Operating Voltage: 150V
- UL Standard 1449 (2nd edition) clamping performance: 400V Peak (L-N, L-G, N-G)
- Maximum single-pulse transient current (8 x 20µs Amps peak) 24,000A (L-N), 12,000A (L-G), 12,000 (N-G)
- Rated single-pulse transient energy (10 x 1000µs, impulse) 720 joules
- Back and Side Wired for easy feed-through installation

Receptacles/GFCIs

Testing & Code Compliance

- UL Listed (File #E-13399)
- CSA Certified (File #LR-406)
- NOM Certified (#057)
- 15 and 20 amp versions meet UL Standard 1449-2nd ED. (1998)
- Backed by a Limited Ten-Year Warranty

Material Characteristics

Environmental: Flammability UL-94, V2 Rating
Operating Temperature: -40°C to 60°C



*Color

Basic Cat. No. denotes Mahogany Brown, unless indicated. Isolated Ground Receptacle is distinguished by an orange triangle on its face. For other color selections, add suffix to the catalog number as follows: Ivory (-I), White (-W), Almond (-A), Light Almond (-T), Red (-R), Gray (-G or -GY), Blue (-B), Orange (-O).

Dimensional drawings on page T3.

SURGE SUPPRESSOR RECEPTACLES

Back and Side Wired NEMA 5-15R & 5-20R (Basic Cat. No. denotes Mahogany device)

Description	Cat. No./Color* 15A/125V	Cat. No./Color* 20A/125V
	5-15R 	5-20R 
Hospital Grade, TVSS Duplex	8280 I, W, A, T, R, B	8380 I, W, GY, R, B
Hospital Grade, TVSS Single	—	8381 I
Hospital Grade, Isolated Ground TVSS Duplex	8280-IG I, W, A, G, R, B, O (N/A in Mahogany)	8380-IG I, W, A, G, B, O, R (N/A in Mahogany)
Hospital Grade, Isolated Ground TVSS Single	8281-IG I, O (N/A in Mahogany)	8381-IG I, W, B (N/A in Mahogany)
Industrial Grade, TVSS Duplex - LED only	5280 I, W, A, T, GY, B	5380 I, W, GY, B
Industrial Grade, Isolated Ground TVSS Duplex - LED only	5280-IG I, W, A, G, B, O	5380-IG I, W, G, B, O
Industrial Grade, Surge Duplex with Indicator Light & Audible Alarm	7280 I, W, A, GY, B	7380 I, W, A, GY, B
Industrial Grade, Isolated Ground, Surge Duplex with Indicator Light & Audible Alarm	7280-IG I, W, A, G, B	7380-IG I, W, A, G, B

For answers to technical questions,
call Leviton's Techline at 1-800-824-3005





D8599-OAK
in D0301-OAK

8599-E
in 80301-SE

As Seen On



Testing & Code Compliance

- UL Listed (File #E-48380)
- CSA Certified (File #LR-57811)
- NOM Certified (File #057)
- Conform with UL Standard 943 Class A (GFCI) and 498 (Receptacle)
- Backed by a Limited Two-Year Warranty

Material Characteristics

Environmental: Flammability UL-94, V2 Rating
Operating Temperature: -30°F (-35°C) to 151°F (66°C)

*Color

Basic Cat. No. denotes Mahogany Brown device. For other color selections, add suffix to the catalog number as follows: Ivory (-I), White (-W), Almond (-A), Light Almond (-T), Gray (-G or -GY), Ebony Black (-E).

**Finish

Elements by Decora Decorative Finishes

For color selections, add suffix to the catalog number as follows: Black Marble (-BML), White Marble (-WML), Oak (-OAK), Walnut (-WAL).

Dimensional drawings on page T3.

For more information regarding coordinating wallplates, colors, materials, single and multi-gang, refer to Wallplates, section D.

DECORA[®] PLUS SmartLock[®] GFCI Receptacles with Lockout Action

The SmartLock Protection Advantage

A standard GFCI can be RESET even if it's not providing ground fault protection. Leviton's patented SmartLock features a RESET button that will not engage if protection has been compromised. With SmartLock, you will not have a live, unprotected receptacle in an installation where GFCI protection is required.

Features & Benefits

- TEST and RESET functions work together so that a tripped GFCI cannot be reset if GFCI circuit no longer provides ground fault protection
- RESET button is blocked if GFCI protection has been compromised, reducing the possibility of end-users incorrectly assuming that a reset GFCI outlet is providing ground fault protection when it actually is not
- Cannot be reset if neutral is not present. GFCI can still be tripped with TEST button under this condition
- Line-load reversal diagnostic feature prevents the GFCI from being reset and stops power from being fed through to downstream devices. This alerts the installer to a line-load wiring reversal. Note: Power will still be available to GFCI receptacle face in this condition and there will be no GFCI protection at the receptacle face
- Trip threshold meets or exceeds UL requirements for tripping time
- Impact-resistant thermoplastic cover and body, silver-alloy contacts
- Advanced electronics design provides superior resistance to electrical surges and over-voltages
- Compatible with all Decora and Decora Plus designer devices
- Now available in *Elements* by Decora[®] finishes that blend seamlessly with high-end surfaces

This product is covered by U.S. Patent Nos. 6,040,967; 6,246,558; 6,282,070; 6,381,112; 6,437,953; 6,864,766, as well as other U.S. and foreign patents pending.

DECORA PLUS SMARTLOCK GFCI RECEPTACLES 125V AC 60HZ – Back and Side Wired

Description	Receptacle		Feed-Through Rating	Color* (Basic Cat. No. Denotes Mahogany)
	Cat. No. 15A/125V	Cat. No. 20A/125V		
	5-15R	5-20R		
GFCI Receptacle with Indicator Light, Buttons Match Face Color†	8598††	8898	20 AMP	I, W, A, T
GFCI Receptacle, No Indicator Light, Buttons Match Face Color†	8599	8899	20 AMP	I, W, A, T, GY, E
GFCI Receptacle, No Indicator Light, with 4 1/2" Leads, Black and Red Buttons	8599-L*	8899-L*	20 AMP	I, W (N/A in Mahogany; 20A in Ivory only)

† Also available with Black and Red buttons. †† Also available in Black (-E) and Gray (-GY).

All devices are UL Listed. Also CSA Certified except where indicated by *.

ELEMENTS BY DECORA SMARTLOCK GFCI RECEPTACLE 125V AC 60HZ – Back and Side Wired

Description	Receptacle Cat. No. 15A/125V	Feed-Through Rating	Finish**
	5-15R		
GFCI Receptacle, No Indicator Light, Buttons Match Face Color	D8599	20 AMP	BML, WML, OAK, WAL



8898-HGW
in 80301-SW

8299-W in
80401-W

As Seen On



DECORA[®] PLUS SmartLock[®] Hospital Grade GFCI Receptacles and Combination Switch/GFCI Receptacles with Lockout Action

Features & Benefits

- TEST and RESET functions work together so that a tripped GFCI cannot be reset if GFCI circuit no longer provides ground fault protection
- RESET button is blocked if GFCI protection has been compromised, reducing the possibility of end-users incorrectly assuming that a reset GFCI outlet is providing ground fault protection when it actually is not
- Cannot be reset if neutral is not present. GFCI can still be tripped with TEST button under this condition
- Line-load reversal diagnostic feature prevents the GFCI from being reset and stops power from being fed through to downstream devices. This alerts the installer to a line-load wiring reversal. Note: Power will still be available to GFCI receptacle face in this condition and there will be no GFCI protection at the receptacle face
- Trip threshold meets or exceeds UL requirements for tripping time
- Impact-resistant thermoplastic cover and body, silver-alloy contacts
- Advanced electronics design provides superior resistance to electrical surges and over-voltages
- Compatible with all Decora and Decora Plus designer devices

Hospital Grade

- UL Listed Hospital Grade receptacle construction

Combination Switch/GFCI Receptacles

- Ideal for kitchens, bathrooms, modular kitchen units, bathroom cabinet fixtures, lamp cabinet fixtures and applications where combination devices are used (see Combination Devices, section C, and below)

Testing & Code Compliance

- UL Listed (File #E-48380)
- CSA Certified (File #LR-57811)
- NOM Certified (File #057)
- Conform with UL Standard 943 Class A (GFCI) and 498 (Receptacle)
- Backed by a Limited Two-Year Warranty

Material Characteristics

Environmental: Flammability UL-94, V2 Rating
Operating Temperature: -30°F (-35°C) to 151°F (66°C)

*Color

Basic Cat. No. denotes Mahogany Brown device. For other color selections, add suffix to the catalog number as follows: Ivory (-I), White (-W), Almond (-A), Red (-R), Gray (-G).

Dimensional drawings on page T3.

SMARTLOCK[®] HOSPITAL GRADE GFCI RECEPTACLE 125V AC 60HZ Back and Side Wired NEMA 5-15R & 5-20R

Description	Receptacle		Feed-Through Rating	Color* (Basic Cat. No. Denotes Mahogany)
	Cat. No. 15A/125V	Cat. No. 20A/125V		
	5-15R	5-20R		
Hospital Grade GFCI Receptacle with LED Indicator Light, Buttons Match Face Color	8598-HG	8898-HG	20 AMP	I, W, A, G, R

COMBINATION SWITCH SMARTLOCK GFCI RECEPTACLE – Side Wired 8.3 AMP 1000 Watt @ 120V AC Switch Rating; 15 AMP 125V at Receptacle; 20 AMP Feed-Through

Description	Cat. No. 15A/125V	Color* (Basic Cat. No. Denotes Mahogany)
	5-15R	
Single-Pole Switch & SmartLock GFCI Protected Outlet	8299	I, W, A

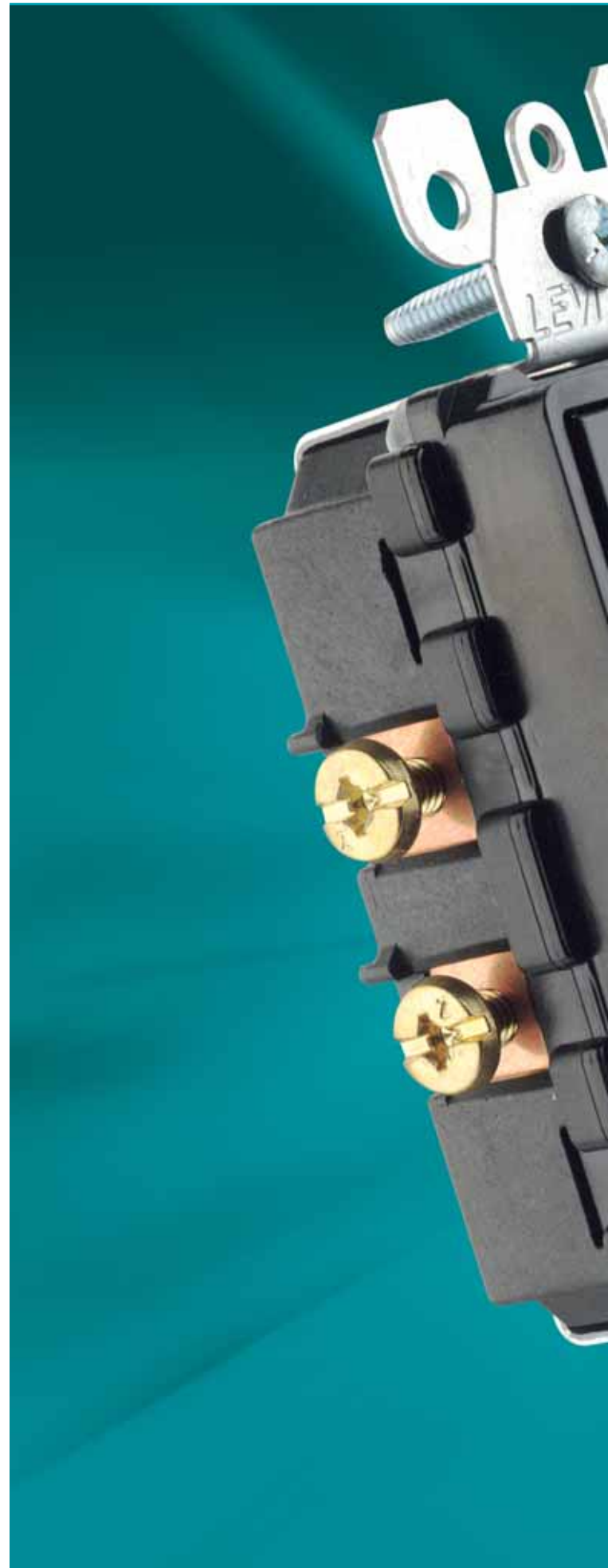
SWITCH-RATED GFCI – Back and Side Wired 1.5 HP @ 120V AC Switch Rating, 20 AMP 125V Feed-Through

Description	Cat. No.	Color* (Basic Cat. No. Denotes Mahogany)
Blank Face, No Indicator Light, Buttons Match Face Color	8590	I, W, A, E

To learn more about Leviton's outstanding offering of devices, visit our Website at www.leviton.com



Leviton's comprehensive selection of Combination Devices offers lasting durability, convenience and efficiency. Ideal in commercial and residential interiors, they permit installation of two devices in a one-gang space and coordinate beautifully with Decora® and Decora® Plus designer wallplates. Built of impact-resistant thermoplastic construction with double-wipe contacts for maximum conductivity, the devices are UL Listed, CSA and NOM certified.



Combination Devices



DECORA® Combination Devices

Features & Benefits

- Elegant Decora styling provides multiple control in a single-gang wallbox
- All devices have grounding screw
- Fit standard wall boxes

COMBINATION DEVICES

15 AMP

Description	Rating	Cat. No.	Color*
Single-Pole Switch/Receptacle	Switch: 15A-120V AC Receptacle: 15A-125V	5625	I, W, A, T, GY, E
Single-Pole Switch/Pilot Light	Switch: 15A-120V AC	5626	I, W, A
Two Single-Pole Switches	15A-120/277V AC	5634	I, W, A, T, GY, E
3-Way Switch/Single-Pole Switch	15A-120/277V AC	5641	I, W, A, T, E
Two 3-Way Switches	15A-120/277V AC	5643	I, W, A, T
3-Way Switch/Receptacle	Switch: 15A-120V AC Receptacle: 15A-125V	5645	I, W, A, E
3-Way Switch/Pilot Light	Switch: 15A-120V AC	5646	I, W, A

20 AMP

Description	Rating	Cat. No.	Color*
Two Single-Pole Switches	20A-120/277V AC	5627	I, W, A, T
Single-Pole Switch/Receptacle	Switch: 20A-120V AC Receptacle: 20A-125V	5636	I, W, A
Two 3-Way Switches	20A-120/277V AC	5640	I, W, A, T

Testing & Code Compliance

- UL Listed (File #E-7458)
- CSA Certified (File #LR-3413)
- NOM Certified (#057)
- Backed by a Limited Two-Year Warranty

Material Characteristics

Environmental: Flammability UL-94, V2 Rating

Operating Temperature: -40°C to 120°C

*Color

Colors available as listed. For color selections, add suffix to catalog numbers as follows: Ivory (-I), White (-W), Almond (-A), Light Almond (-T), Gray (-GY), Ebony Black (-E).

Horsepower

15 AMP	20 AMP
1/2 @ 120V	1 @ 120V
2 @ 240V	2 @ 240V

Dimensional drawings on page T4.

For more information regarding coordinating wallplates, colors, materials, single and multi-gang, refer to Wallplates, section D.



5625-W
in 80301-SW

5634-T
in 80301-ST

DECORA® Combination Devices

Features & Benefits

- Multi-switch combination devices save space and add convenience
- Common feed shunted internally to all switches
- Elegant Decora styling permits ganging with other Decora devices
- Switch/SmartLock® GFCI Receptacle replaces standard switch/outlet combination devices in commercial or residential installations
- Space-saving GFCI protection in new or retrofit construction
- Switch/SmartLock® GFCI Receptacle permits multiple wiring options that allow six different applications



1755-W
in 80301-SW

8299-1
in 80401-1

As Seen On



Combination Devices

COMBINATION SWITCHES

Individual Switches: 15 AMP 120V AC/Devices Total: 20 AMP-120V AC†

Description	Cat. No.	Color*
Dual Single-Pole Rocker Switches	1754	I, W, A, T
Illuminated Dual Rocker Switches, light is ON when top rocker is OFF	1754-IL	I, W, A
Three Single-Pole Rocker Switches	1755	I, W, A, T
Three Rocker Switches (Double Pole ON-OFF-ON Top Switch; Two Single-Pole Switches)	1759	I, W
Dual Single-Pole Rocker Switches with 6" Green Ground Lead	1754-2	I, W
Three Single-Pole Rocker Switches with 6" Green Ground Lead	1755-2	I, W

† WARNING: Although each individual rocker switch is rated up to 15A 120V, the total combined load for both duplex or all three triplex switches MUST NOT EXCEED 20 AMPS.

COMBINATION SWITCH/SMARTLOCK® GFCI OUTLET Receptacle: 15 AMP 125V/Feed-through: 20 AMP 125V Switch Rating: 8.3 AMP, 1000 WATTS @ 120V AC

Description	Cat. No.	Color*
Single-Pole Switch and SmartLock® GFCI-Protected Outlet	8299	I, W

Testing & Code Compliance

Decora Switches

- UL Listed (File #7458)
- CSA (File #LR-3413)
- NOM Certified (#057)
- Backed by a Limited Two-Year Warranty

Switch/GFCI Receptacle

- UL Listed (File #48380)
- Listed UL Standard 943, Class A
- CSA Certified (File #LR-57811)
- NOM Certified (#057)
- Backed by a Limited Two-Year Warranty

Material Characteristics

Environmental: Flammability UL-94, V2 Rating
Operating Temperature: -40°C to 120°C

*Color

Colors available as listed. For other color selections, add suffix to catalog numbers as follows: Ivory (-I), White (-W), Almond (-A), Light Almond (-T).

Dimensional drawings on page T4.

Combination Switch/SmartLock GFCI drawing on page T3.

To learn more about Leviton's outstanding offering of devices, visit our Website at www.leviton.com



Add elegance to any décor with Decora® Plus and Decora® designer wallplates. Versatile and sleek, the screwless, snap-on Decora Plus wallplates are now available in a new Midway size for even greater coverage and in Elements by Decora® decorative marble and wood finishes. The screwless subplate offers a flawless, easy installation. Choose from a complete selection of colors and styles. Decora wallplates add that finishing touch to any redecorating project.



Wallplates



NEW FROM LEVITON







DECORA[®] PLUS Midway Size Screwless Snap-On Wallplates with Screwless Subplate

Features & Benefits

- Midway plates can be mounted over larger volume outlet boxes or used to hide wall irregularities
- Full 0.375" higher and wider than standard plates
- Sleek, smooth contemporary architectural styling with no mounting screws and no subplate screws for ease of installation
- Decora compatible – two-piece kit allows easy use with any Decora installation
- Constructed of durable polycarbonate to stand up to abuse



MIDWAY SCREWLESS SNAP-ON WALLPLATES WITH SCREWLESS SUBPLATE

Description	Cat. No.	Color*
		(Basic Cat. No. Denotes Mahogany)
1-Gang 	SJ26-S	I, W, A, T, GY, E
2-Gang 	SJ262-S	I, W, A, T, GY, E
3-Gang 	SJ263-S	I, W, A, T, E (N/A Mahogany)
4-Gang 	SJ264-S	I, W, A, T, E (N/A Mahogany)
5-Gang 	SJ265-S	I, W, A, T (N/A Mahogany)
6-Gang 	SJ266-S	I, W, A, T (N/A Mahogany)

Testing & Code Compliance

- UL Listed (File #E-13397)
- Meet NEMA Standards WD-1, WD-6
- CSA Certified (File #LR-16347)
- NOM Certified (#057)
- Backed by a Limited Ten-Year Warranty

Material Characteristics

Environmental: Flammability UL-94, V2 Rating
Operating Temperature: -40°C to 120°C

*Color

Basic Cat. No. denotes Mahogany Brown device. For other selections, add suffix to the catalog number as follows: Ivory (-I), White (-W), Almond (-A), Light Almond (-T), Gray (-GY), Ebony Black (-E).

Dimensional drawings on page T4.

Screwless Subplate Offers Ease of Installation:



Hook
Exclusive "Hook n' Snap" feature speeds installation—saving time and money!



n' Snap
Provides an easy, convenient, and truly Screwless wallplate installation.



D0309-OAK

80301-ST

As Seen On



Testing & Code Compliance

- UL Listed (File #E-13397)
- Meet NEMA Standards WD-1, WD-6
- CSA Certified (File #LR-16347)
- NOM Certified (#057)
- Backed by a Limited Ten-Year Warranty

Material Characteristics

Environmental: Flammability UL-94, V2 Rating
Operating Temperature: -40°C to 120°C

*Color

Basic Cat. No. denotes Mahogany Brown device. For other color selections, add suffix to the catalog number as follows: Ivory (-I), White (-W), Almond (-A), Light Almond (-T), Gray (-GY), Ebony Black (-E).

**Finish

Elements by Decora Decorative Finishes

Colors available as listed. For color selections add suffix to catalog numbers as follows: Black Marble (-BML), White Marble (-WML), Oak (-OAK) and Walnut (-WAL).

Dimensional drawings on page T4.

Screwless Subplate Offers Ease of Installation:



Hook

Exclusive "Hook n' Snap" feature speeds installation—saving time and money!



n' Snap

Provides an easy, convenient, and truly Screwless wallplate installation.

DECORA[®] PLUS Standard Size Screwless Snap-On Wallplates with Screwless Subplate

Features & Benefits

- Now available in *Elements* by Decora[®] finishes that blend seamlessly with high-end surfaces
- Sleek, smooth contemporary architectural styling with no mounting screws and no subplate screws for ease of installation
- Decora compatible — two-piece kit allows easy use with any Decora installation
- Constructed of durable polycarbonate to stand up to abuse

STANDARD SCREWLESS SNAP-ON WALLPLATES WITH SCREWLESS SUBPLATE

Description	Cat. No.	Color*
		(Basic Cat. No. Denotes Mahogany)
1-Gang	80301-S	I, W, A, T, GY, E
2-Gang	80309-S	I, W, A, T, GY, E
3-Gang	80311-S	I, W, A, T, E (N/A Mahogany)
4-Gang	80312-S	I, W, A, T (N/A Mahogany)
5-Gang	80321-S	I, W, A, T (N/A Mahogany)
6-Gang	80326-S	I, W, A, T (N/A Mahogany)

ELEMENTS BY DECORA[®] SCREWLESS SNAP-ON WALLPLATES WITH SCREWLESS SUBPLATE

Description	Cat. No.	Finish**
1-Gang	D0301	BML, WML, OAK, WAL
2-Gang	D0309	BML, WML, OAK, WAL
3-Gang	D0311	BML, WML, OAK, WAL
4-Gang	D0312	BML, WML, OAK, WAL

To learn more about Leviton's outstanding offering of devices, visit our Website at www.leviton.com



DECORA® Standard Size Nylon and Metal Wallplates

Features & Benefits





- Accent any wall covering with a wide selection of colors and finishes
- Smooth face and rounded edges resist dust accumulation
- Individual plastic wrapping to protect wallplate's surface
- Color-matched mounting screws supplied
- Mounting screws on one-gang nylon wallplates are preinstalled










80401-NT

81401-PB

NYLON WALLPLATES

Description	Cat. No.	Color* (Basic Cat. No. Denotes Mahogany)
1-Gang 	80401-N	I, W, A, T, GY, E, R, B
2-Gang 	80409-N	I, W, A, T, GY, E, R, B
3-Gang 	80411-N	I, W, A, T, GY
4-Gang 	80412-N	I, W, A, T

METAL WALLPLATES

Description	Brushed Brass Satin Finish .040" Thick	Polished Brass .040" Thick	Non-Magnetic Stainless Steel .032" Thick	Aluminum Satin Finish .040" Thick
1-Gang 	81401	81401-PB	84401-40	83401
2-Gang 	81409	81409-PB	84409-40	83409
2-Gang— 1-Decora, 1 Duplex 	—	—	84455-40	—
3-Gang 	81411	81411-PB	84411-40	83411
4-Gang 	81412	—	84412-40	—
5-Gang 	81423	—	84423-40	—
6-Gang 	—	—	84436-40	—

Testing & Code Compliance

Decora Nylon Wallplates

- UL Listed (File #E-13397)
- Meet NEMA Standards WD-1, WD-6
- CSA Certified (File #LR-16347)
- NOM Certified (#057)
- Backed by a Limited Ten-Year Warranty

Decora Metal Wallplates

- UL Listed (File #92327)
- CSA Certified (File #LR-16347)
- NOM Certified (#057)
- Backed by a Limited Ten-Year Warranty

Material Characteristics

Environmental: Flammability UL-94, V2 Rating
Operating Temperature: -40°C to 120°C

*Color

Decora Nylon Wallplates

Basic Cat. No. denotes Mahogany Brown device. For other color selections, add suffix to the catalog number as follows: Ivory (-I), White (-W), Almond (-A), Light Almond (-T), Gray (-GY), Red (-R), Ebony Black (-E), Blue (-B).

Decora Metal Wallplates

Brass, polished brass, stainless steel or aluminum finish as listed.












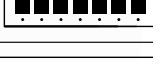

Dimensional drawings on page T4.

DECORA® Standard Size Plastic Wallplates

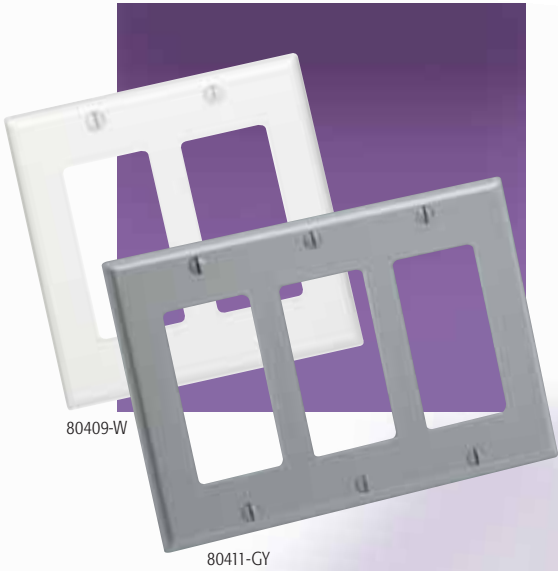
Features & Benefits

- Available in a wide selection of sizes and colors to complement any wall color or covering
- Smooth face and rounded edges resist dust accumulation
- Color-matched mounting screws supplied

STANDARD SIZE SMOOTH PLASTIC WALLPLATES

Description	Cat. No.	Color* (Basic Cat. No. Denotes Mahogany)
1-Gang 	80401	I, W, A, T, GY, E
2-Gang 	80409	I, W, A, T, GY, E
2-Gang—1-Decora, 1-Toggle 	80405	I, W, A, T, GY, E
2-Gang—1-Decora, 1-Duplex 	80455	I, W, A, T
2-Gang—1-Telephone, 1-Decora (.406" hole) 	80479	I, W
3-Gang 	80411	I, W, A, T, GY, E
3-Gang—2-Decora, 1-Toggle 	80431	I, W, A, T, GY
3-Gang—1 Decora, 2-Toggle 	80421	I, W, A, T, GY, E
4-Gang 	80412	I, W, A, T, GY, E
5-Gang 	80423	I, W, A, T, GY, E
6-Gang 	80436	I, W, A, T, GY, E
7-Gang† 	80407-I	W (Basic Cat. No. denotes Ivory)
8-Gang† 	80408-I	W (Basic Cat. No. denotes Ivory)

† Painted metal.



Testing & Code Compliance

- UL Listed (File #E-13397)
- CSA Certified (File #LR-16347)
- NOM Certified (#057)
- Meet NEMA Standards WD-1, WD-6
- Backed by a Limited Two-Year Warranty

Material Characteristics

Environmental: Flammability UL-94, V2 Rating
Operating Temperature: -40°C to 120°C

*Color

Basic Cat. No. denotes Mahogany Brown. For other color selections, add suffix to the catalog number as follows: Ivory (-I), White (-W), Almond (-A), Light Almond (-T), Gray (-GY), Ebony Black (-E).







Dimensional drawings on page T4.

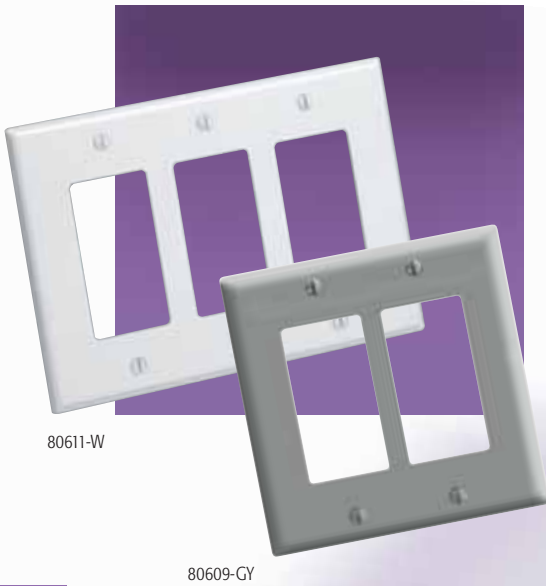
DECORA® Midway Size Plastic Wallplates

Features & Benefits

- Midway plates can be mounted over larger volume outlet boxes or used to hide wall irregularities
- Full 0.375" higher and wider than standard wallplates
- Available in a wide selection of sizes and colors to complement any wall color or covering
- Smooth face and rounded edges resist dust accumulation
- Color-matched mounting screws supplied

MIDWAY SIZE SMOOTH PLASTIC WALLPLATES

Description	Cat. No.	Color* (Basic Cat. No. Denotes Mahogany)
1-Gang 	80601	I, W, A, T, GY
2-Gang 	80609	I, W, A, T, GY
2-Gang—1-Blank, 1-Decora 	80608	I, W, A, T
2-Gang—1-Decora, 1-Toggle 	80605	I, W, A, T
3-Gang 	80611	I, W, A, T
4-Gang 	80612	I, W, A, T



80611-W

80609-GY

Wallplates

Testing & Code Compliance

- UL Listed (File #E-13397)
- CSA Certified (File #LR-16347)
- NOM Certified (#057)
- Meet NEMA Standards WD-1, WD-6
- Backed by a Limited Two-Year Warranty

Material Characteristics

Environmental: Flammability UL-94, V2 Rating
 Operating Temperature: -40°C to 120°C

*Color

Basic Cat. No. denotes Mahogany Brown. For other color selections, add suffix to the catalog number as follows: Ivory (-I), White (-W), Almond (-A), Light Almond (-T), Gray (-GY), Ebony Black (-E).

Dimensional drawings on page T4.



DECORA® and DECORA® PLUS Wallplate Accessories

Features & Benefits

- Dimmer shaft adapter permits the use of rotary dimmers in Decora installations
- Blank adapter covers blank holes in multi-device Decora installations
- Wallbox adapter extends the height of shallow wallboxes to fit any Decora device and GFCIs

DECORA STANDARD SIZE PLASTIC ADAPTERS

Description	Cat. No.	Color*
Dimmer Shaft (.406" hole)	80400	I, W, A, T, GY, E
Blank (no hole)	80414	I, W, A, T, GY, E
CATV Jack	40681-I	W, A, T, GY, E
Wallbox Adapter Extends shallow wallbox to fit GFCI/Decora devices	6197	I, W

DECORA PLUS STANDARD SIZE PLASTIC ADAPTERS

Description	Cat. No.	Color*
CATV Jack	80381	I, W, A, T, GY, E
Blank (no hole)	80314	I, W, A, T, GY, E

WALLPLATE REPLACEMENT SCREWS (5/16" long—6 x 32 Thread)—100 per Box

Description	Cat. No.	Description	Cat. No.
Almond	82400	Ivory	86400
Black	83400	Gray	87400
Stainless Steel	84400	White	88400
Mahogany Brown	85400	Red	89400

Testing & Code Compliance

- Backed by a Limited Two-Year Warranty

Material Characteristics

Environmental: Flammability UL-94, V2 Rating
Operating Temperature: -40°C to 120°C

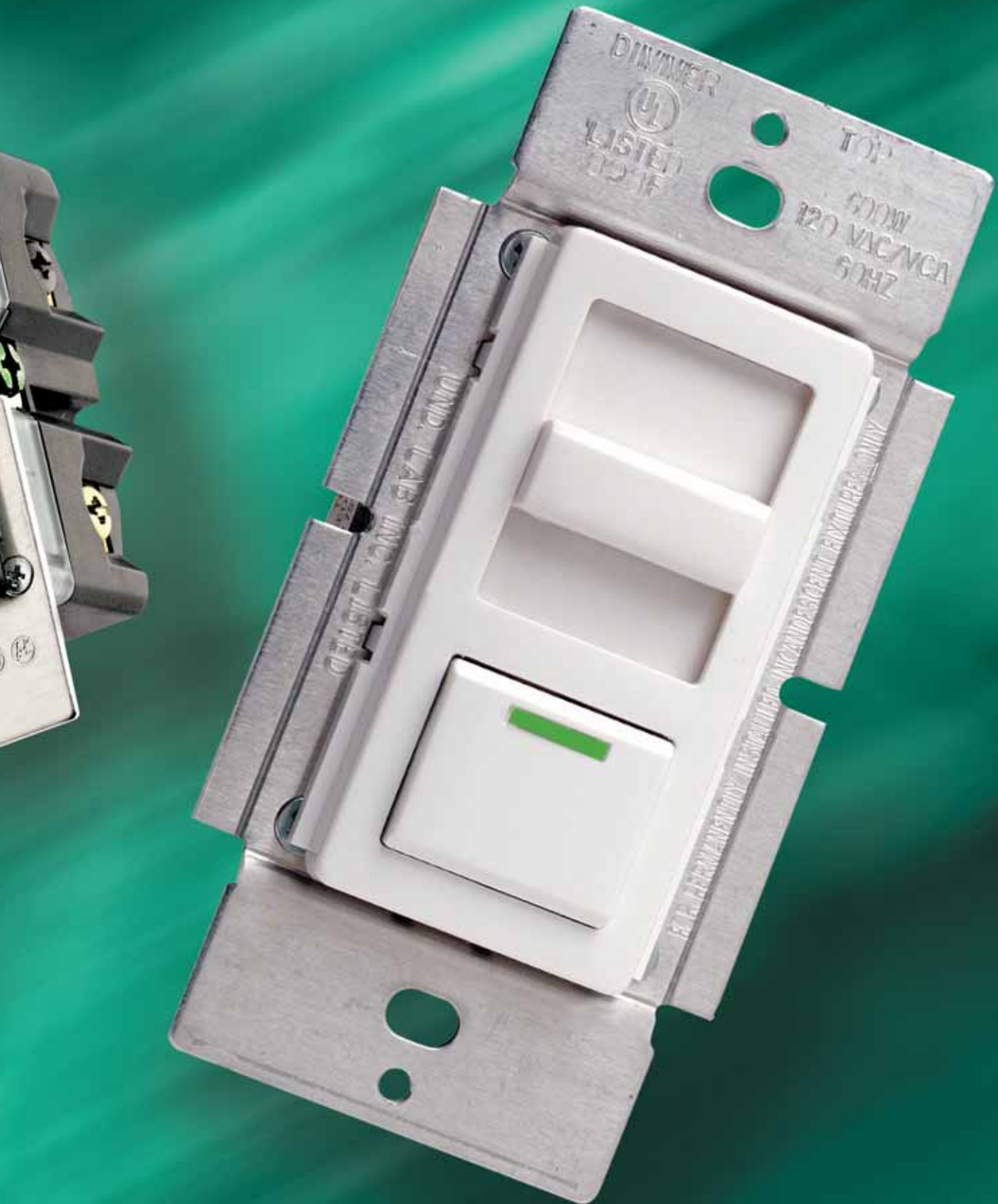
*Color

Colors available as listed. Basic Cat. No. denotes Mahogany Brown. For other color selections, add suffix to the catalog number as follows: Ivory (-I), White (-W), Almond (-A), Light Almond (-T), Gray (-GY), Ebony Black (-E).

Combining sophisticated designer styling with state-of-the-art technology, Decora® Lighting Controls define space, create mood and optimize task lighting in residential and commercial settings. Choose from a wide selection of incandescent, magnetic, electronic low-voltage and fluorescent lighting control products. Included are fan-speed controls, occupancy sensors and timers, which offer convenience and energy conservation, as well as the new Vizia™ Collection. Styled for use with Decora wallplates, the lighting controls can be ganged with other Decora devices and are available in decorator colors.



Lighting Controls



NEW FROM LEVITON

DECORA® Vizia™ Preset Digital Dimmers

Features & Benefits

- Streamlined Decora styling complements any interior, adds a "family look" when ganged with any Decora device
- Return-to-neutral push pad provides easy-to-use preset light level ON/OFF switching
- Digital circuitry provides SOFT-ON/FADE-OFF lighting and prolonged lamp life or an option via simple programming for classic ON/OFF
- Green LED locator light illuminates when lights are OFF
- ON/OFF AC air-gap switch completely disconnects power to unit for bulb changing or removal from service
- Provides single pole (one-location) or multi-location full range dimming when used with Vizia Dimmer Remotes (see P. E3 for Vizia Remotes)
- Three color choices along with single- or multi-location control provide 6 different options in each box, eliminating the need to stock a large variety of devices
- Color Change Kits are available in a wide range of colors, making it easy and economical to change decorating schemes
- Power failure recovery assures retention of lighting levels during long-term power interruptions
- Built-in radio/TV interference filter
- Fits in standard wallbox – units may be ganged
- LED display alongside push pad indicates selected brightness level
- Dim/Bright Bar allows user to set brightness level when lights are ON or OFF
- Minimum brightness level can be easily programmed from 1 to 50% of full brightness
- Dim Lock level feature determines preset light level regardless of last setting
- Selectable Fade Rate is easily programmable for desired room ambiance
- Press and hold push pad to turn lights on to full bright from any preset light level
- To use the Delayed OFF feature while lights are ON (10 seconds to OFF), press and hold the push pad



VZ106-1LZ in 80301-SW

Testing & Code Compliance

- UL Listed (File #E-31373)
- CSA Certified (File #M/C 152105)
- Backed by a Limited Five-Year Warranty

Material Characteristics

Environmental: Flammability UL-94, V2 Rating
Operating Temperature: 32°F to 130°F

*Color

Vizia Preset Controls come packaged with three colors. Controls with suffix (-Z) include White, Ivory and Light Almond. Controls with suffix (-X) include White, Ivory and Almond. Color Change Kits are available in all colors. Add suffix to the Color Change Kit catalog number as follows: Ivory (-I), White (-W), Almond (-A), Light Almond (-T), Gray (-G), Black (-E), Brown (-B) and Red (-R).

Dimensional drawing on page T5

For more information regarding coordinating wallplates, colors, materials, single and multi-gang, refer to Wallplates, section D.

Note: Sharing a neutral wire may cause flickering. Connect all dimmers to the same phase or run a separate neutral to each phase. Digital Lighting and Fan Speed Controls are polarity sensitive devices. Always follow the wiring instructions included with each device.

Use with Leviton Power Extender to extend load capacity.

CAUTION ON RETROFITS: When retrofitting Mark 10™ Powerline dimming ballasts into fixtures that originally had Instant Start ballasts, the sockets MUST be replaced with Rapid Start sockets to allow proper dimmer operation and prevent damage to the dimming ballast. Refer to the instructions provided with the ballast and the Leviton Mark 10™ Powerline dimmer.

VIZIA PRESET DIGITAL DIMMERS All Vizia dimmers provide single-pole (1 location) and 3-way (multi-location) control when used with a Vizia remote unit.

Description	Cat. No.	Rating	Color*
Vizia Incandescent	VZ106-1LZ	600W	I + W+ T
	VZ106-1LX	120V AC 60 Hz	I + W+ A
Vizia Magnetic Low Voltage	VZM06-1LZ	600VA	I + W+ T
	VZM06-1LX	120V AC 60 Hz	I + W+ A
Vizia Incandescent/Magnetic Low Voltage	VZM10-1LZ	1000W	I + W+ T
	VZM10-1LX	Incandescent, 1000VA Magnetic Low Voltage 120V AC 60 Hz	I + W+ A
Vizia Electronic Low Voltage	VZE04-1LZ	400W	I + W+ T
	VZE04-1LX	120V AC 60 Hz	I + W+ A
Vizia Electronic Low Voltage	VZE06-1LZ	600W	I + W+ T
	VZE06-1LX	120V AC 60 Hz	I + W+ A
Vizia Advance Mark 10™ Powerline Fluorescent Dimming Ballast	VZX10-1LZ	1000VA	I + W+ T
	VZX10-1LX	120V AC 60 Hz	I + W+ A
Vizia Advance Mark 10™ Powerline Fluorescent Dimming Ballast	VZX12-7LZ	1200VA	I + W+ T
	VZX12-7LX	277V AC 60 Hz	I + W+ A
Vizia Hi-Lume® or Eco-10™ (Eco Series) Fluorescent Dimming Ballast	VZH08-1LZ	8A	I + W+ T
	VZH08-1LX	120V AC 60 Hz	I + W+ A
Vizia Hi-Lume® or Eco-10™ (Eco Series) Fluorescent Dimming Ballast	VZH06-7LZ	6A	I + W+ T
	VZH06-7LX	277V AC 60 Hz	I + W+ A
Vizia Switch	VZS15-1LZ	15A	I + W+ T
	VZS15-1LX	120V AC 60 Hz	I + W+ A
Vizia Matching Dimmer Color Change Kit	VZKIT-MD	—	I, W, A, T, G, E, B, R
Vizia Matching Switch Color Change Kit	VZKIT-MS	—	I, W, A, T, G, E, B, R

Eco-10™ (Eco Series) and Hi-Lume® are trademarks of Lutron Electronics, Inc.

NEW FROM LEVITON

DECORA® Vizia™ Remotes For Use with Vizia Dimmers and Switches

Features & Benefits

- Can be used with all Vizia Dimmers and Fan Speed controls
- Streamlined Decora styling complements any interior, adds a “family look” when ganged with any Decora device
- Return-to-neutral push pad provides easy-to-use preset light level ON/OFF switching
- Green LED locator light illuminates when lights are OFF (matching remotes only)
- Provides multi-location full range control when used with Vizia Dimmers
- Three color options in each box eliminates the need to stock a large variety of devices
- Color Change Kits are available in a wide range of colors, making it easy and economical to change decorating schemes
- Fits in standard wallbox – units may be ganged
- Matching Remotes contain tracking LEDs and provide control from up to 5 different locations (neutral wire required)
- Coordinating Remotes provide control from up to 10 different locations (standard 3-way wiring)



VZ00R-10
in 80301-SW

VZ00R-1LZ
in 80301-SW

Testing & Code Compliance

- UL Listed (File #E-31373)
- CSA Certified (File #M/C 152105)
- Backed by a Limited Five-Year Warranty

Material Characteristics

Environmental: Flammability UL-94, V2 Rating
Operating Temperature: 32°F to 130°F

*Color

Vizia Preset Controls come packaged with three colors. Controls with suffix (-Z) include White, Ivory and Light Almond. Controls with suffix (-X) include White, Ivory and Almond. Color Change Kits are available in all colors. Add suffix to the Color Change Kit catalog number as follows: Ivory (-I), White (-W), Almond (-A), Light Almond (-T), Gray (-G), Black (-E), Brown (-B) and Red (-R).

Dimensional drawing on page T5

Note: Sharing a neutral wire may cause flickering. Connect all dimmers to the same phase or run a separate neutral to each phase.

Digital Lighting and Fan Speed Controls are polarity sensitive devices. Always follow the wiring instructions included with each device.

Use with Leviton Power Extender to extend load capacity.

VIZIA REMOTES—No Load Rating For Use with Vizia Dimmers and Switches Only

Description	Cat. No.	Rating	Color*
Vizia Matching Dimmer Remote for up to 5 locations applications	VZ00R-1LZ VZ00R-1LX	120V AC 60 Hz	I + W+ T I + W+ A
Vizia Matching Dimmer Remote for up to 5 locations applications	VZ00R-7LZ VZ00R-7LX	277V AC 60 Hz	I + W+ T I + W+ A
Vizia Coordinating Dimmer Remote (no LEDs) for up to 10 location applications	VZ00R-10Z VZ00R-10X	120V AC 60 Hz	I + W+ T I + W+ A
Vizia Matching Switch Remote for up to 5 locations applications	VZ0SR-1LZ VZ0SR-1LX	120V AC 60 Hz	I + W+ T I + W+ A
Vizia Coordinating Switch Remote (no LEDs) for up to 10 location applications	VZ0SR-10Z VZ0SR-10X	120V AC 60 Hz	I + W+ T I + W+ A
Vizia Matching Dimmer Color Change Kit	VZKIT-MD	—	I, W, A, T, G, E, B, R
Vizia Coordinating Dimmer Color Change Kit	VZKIT-CD	—	I, W, A, T, G, E, B, R
Vizia Matching Switch Color Change Kit	VZKIT-MS	—	I, W, A, T, G, E, B, R
Vizia Coordinating Switch Color Change Kit	VZKIT-CS	—	I, W, A, T, G, E, B, R

To learn more about Leviton's outstanding offering of devices, visit our Website at www.leviton.com





MCM10-1LW
in 80301-SW

DECORA[®] Mural™ Scene Capable Digital Dimmers

Features & Benefits

- Responds to lighting level commands sent by the Cat. No. MN00C-1LW Scene Controller. Users can program the desired lighting level for individual Mural Scene Dimmers in up to seven distinct lighting scenes, which are easily accessed by one or more Scene Controllers
- Smooth ON/OFF and DIM/BRIGHT Decora rocker action provides ease of operation for people of all ages and abilities
- Scene Controller also provides an OFF button and two arrow-shaped buttons for group DIM and BRIGHT control
- Local DIM/BRIGHT adjustment on individual scene dimmers will not affect programmed scene lighting settings
- Compatible with Scene Enhancement Products including Contact Closure Interface, Infrared Hand-held Remote and Infrared Receiver, and one-way and two-way Signal Repeater
- Streamlined, popular Decora styling enhances any interior and adds a “family look” when ganged with any Decora device
- Digital circuitry provides SOFT-ON/FADE-OFF operation for an eye-pleasing effect and prolonged lamp life
- A second tap on upper half of rocker provides full bright. Double tap lower half for fast OFF
- Square green LED display alongside rocker indicates selected brightness level
- Locator LED illuminates when lights are OFF
- Color Change Kits available in a wide range of colors, making it easy and economical to change decorating schemes
- Minimum Brightness Adjustment sets comfortable minimum light level
- Protected memory and voltage compensation maintain light levels after power outages and during minor power fluctuations
- Built-in radio/TV interference filter
- ON/OFF AC air-gap switch completely disconnects power to unit for bulb changing or removal from service

Note: Must use a repeater if scene system is on more than one circuit.

MURAL™ SCENE CAPABLE DIGITAL DIMMERS

120V AC 60Hz Only Compatible with Scene Controller and Scene Enhancement Products

Description	Cat. No.	Rating	Color*
Mural Scene Capable Incandescent/Magnetic Low-Voltage Dimmer with LED Locator and LED Brightness Display	MCM06-1L	600W/VA	I, W, A (G, E, B with Kit)
Mural Scene Capable Incandescent/Magnetic Low-Voltage Dimmer with LED Locator and LED Brightness Display	MCM10-1L	1000W/VA	I, W, A (G, E, B with Kit)
Mural Scene Capable Mark 10 Preset Dimmer for 120V AC Advance Mark 10™ Powerline Fluorescent Dimming Ballast with LED Locator and LED Brightness Display	MCX10-1LW	1000VA	W (I, A, G, E, B with Kit)
Color Change Kits for Mural MC Scene Capable Dimmers	DRKDD-1L	—	I, W, A, G, E, B

Testing & Code Compliance

- UL Listed (File #E-31373)
- CSA Certified (File #LR-3413)
- Backed by a Limited Five-Year Warranty

Material Characteristics

Environmental: Flammability UL-94, V2 Rating
Operating Temperature: 32°F to 130°F

*Color

To order colors, add suffix to basic catalog number. Colors in parentheses must be ordered as Color Change Kits. Color suffixes are: Ivory (-I), White (-W), Almond (-A), Gray (-G), Black (-E) and Brown (-B).

Dimensional drawings and Color Change Kit illustration on page T5.

For more information regarding coordinating wallplates, colors, materials, single and multi-gang, refer to Wallplates, section D.

Note: Sharing a neutral wire may cause flickering. Connect all dimmers to the same phase or run a separate neutral to each phase.

Digital Lighting and Fan Speed Controls are polarity sensitive devices. Always follow the wiring instructions included with each device. Mural Scene Capable Digital Controls are designed for use with Scene Controller and Scene Enhancement products and are not compatible with the Multi-Remote unit.

Use with Leviton Power Extender to extend load capacity.

CAUTION ON RETROFITS: When retrofitting Mark 10™ Powerline dimming ballasts into fixtures that originally had Instant Start ballasts, the sockets MUST be replaced with Rapid Start sockets to allow proper dimmer operation and prevent damage to the dimming ballast. Refer to the instructions provided with the ballast and the Leviton Mark 10™ Powerline dimmer.



MN00C-1LW
in 80301-SW

DECORA® Scene Products for Mural™ Scene Lighting Controls

Features & Benefits

Scene Controller

- Sends commands for up to seven distinct scenes to individual Mural Scene dimmers
- Multiple Scene Controllers can be used for multi-point access to scenes
- Provides OFF button and two arrow-shaped buttons for group DIM and BRIGHT control
- Local DIM/BRIGHT adjustment on individual scene dimmers will not affect programmed scene settings
- Green LED display for each scene button indicates selected scene
- Fast, easy programming: press scene button, adjust individual dimmer level, press program button on scene dimmer
- Controls up to 20 scene dimmers per circuit
- Streamlined, popular Decora styling enhances any interior and adds a “family look” when ganged with any Decora device
- Customized labels available for each scene button

Scene Enhancement Products

- Two-way repeater provides isolation protection between different phases and reliability of signals transmitted across phases and different services. One-way repeater provides grouping ability through communication in one direction only

Note: Must use a repeater if scene system is on more than one circuit.

SCENE CONTROLLER FOR MURAL™ SCENE CAPABLE LIGHTING CONTROLS

Description	Cat. No.	Rating	Color*
Scene Controller: 7 lighting-scene buttons plus OFF and group DIM and BRIGHT buttons	MN00C-1LW	No load rating, use with Mural Scene Capable dimmers only	White, for other colors use Color Change Kits
Color Change Kits for MN00C-1LW Scene Controller	DCKS7-00	—	I, W, A, G, E
Color Change Kits with customizable labels for MN00C-1LW Controller	DCKS7-0C	—	I, W, A, G, E

SCENE ENHANCEMENT PRODUCTS For Use with Mural Scene Dimmers

Description	Cat. No.	Rating	Color*
Signal Repeater —Must be used if controlling lighting on more than one circuit. One-way and two-way versions available	17100-1WY, 17100-2WY	No load rating	(Non-color item)
Contact Closure Interface —Allows control of Mural Scene Capable devices from home theater and building control systems via momentary contact inputs	177BI	No load rating	(Non-color item)
Infrared Receiver —Available with wall mount and ceiling mount bezels	177IR-IWA	No load rating	Supplied with Ivory, White and Almond bezels, and White ceiling cover
Handheld Infrared Remote Control — With 4 lighting scene buttons plus OFF	177RC	No load rating	Black

Testing & Code Compliance

- UL Listed (File #E-31373 – Cat. No. 177IR;
File #E-66800 – Cat. Nos. 17100-1WY and
17100-2WY; File # E-600800 – Cat. No.
177BI)
- CSA Certified (File # LR-3413)
- Backed by a Limited Five-Year Warranty

Material Characteristics

Environmental: Flammability UL-94, V2 Rating
Operating Temperature: 32°F to 130°F

*Color

Basic Cat. No., denotes White device. For other colors,
order Color Change Kit and add suffix as follows:
Ivory (-I), White (-W), Almond (-A), Gray (-G),
Ebony Black (-E).

Dimensional drawings and Color Change Kit illustration
on page T5.

Note: Sharing a neutral wire may cause flickering.
Connect all dimmers to the same phase or run a
separate neutral to each phase.

Digital Lighting and Fan Speed Controls are polarity
sensitive devices. Always follow the wiring instruc-
tions included with each device. Mural Scene
Capable Digital Controls are designed for use with
Scene Controller and Scene Enhancement products
and are not compatible with the Multi-Remote unit.



MLI06-1LW
in 80301-SW

DECORA[®] Mural™ L/S (Level Set) Preset Digital Dimmers

Features & Benefits

- Smooth Decora rocker-action for Preset ON/OFF switching with built-in arrow-shaped rocker for DIM/BRIGHT control
- Arrow rocker allows user to set brightness level when lights are OFF
- A second tap on upper half of rocker provides full bright. Double tap lower half for fast OFF
- Easy to operate for people of all ages and abilities
- Provides single-pole (one-location) and multi-location full range dimming when used with Multi-Remote units
- Streamlined, popular Decora styling enhances any interior and adds a “family look” when ganged with any Decora device
- Digital circuitry provides SOFT-ON/FADE-OFF operation for an eye-pleasing effect and prolonged lamp life
- Square green LED display alongside rocker indicates selected brightness level
- Locator LED illuminates when lights are OFF (No LED on Remote Unit)
- Color Change Kits available in a range of colors, making it easy to change decorating schemes
- Power failure recovery assures retention of lighting levels on the ML models during long-term power interruptions

MURAL™ L/S (LEVEL SET) PRESET DIGITAL DIMMER

120V AC 60Hz Only All Mural™ L/S dimmers provide single-pole (1 location) and 3-way (multi-location) control when used with Multi-Remote unit

Description	Cat. No.	Rating	Color*
Mural L/S Incandescent with LED Locator and Brightness Display	MLI06-1L	600W	I, W, A (G, E, B with Kit)
Mural L/S Incandescent with LED Locator and Brightness Display	MLI10-1L	1000W	I, W, A (G, E, B with Kit)
Mural L/S Magnetic Low-Voltage with LED locator and Brightness Display	MLM06-1L	600VA (450W)	I, W, A (G, E, B with Kit)
Mural L/S Magnetic Low-Voltage with LED locator and Brightness Display	MLM10-1L	1000VA (800W)	I, W, A (G, E, B with Kit)
Mural L/S Electronic Low-Voltage with LED Locator and Brightness Display	MLE03-1LW	350VA (280W)	W (I, A, G, E, B with Kit)
Mural L/S Advance Mark 10™ Powerline Fluorescent Dimming Ballast with LED Locator and Brightness Display	MLX06-1L	600VA	I, W, A (G, E, B with Kit)
Multi-Remote Unit for Multi-Location Dimming (no LED locator or display)	MSOOR-10	No load rating	I, W, A (G, E, B with Kit)
Multi-Remote Unit for Electronic Low-Voltage Multi-Location Dimming (no LED locator or display)	MSEOR-10W	No load rating	W (I, A, G, E, B with Kit)
Color Change Kits for Mural L/S (ML versions)	DLKDD-1L	—	I, W, A, G, E, B
Color Change Kits for Multi-Remote Units (no LED locator or display)	DRKOR-00	—	I, W, A, G, E, B

Testing & Code Compliance

- UL Listed (File #E-31373)
- CSA Certified (File #LR-3413)
- Backed by a Limited Five-Year Warranty

Material Characteristics

Environmental: Flammability UL-94, V2 Rating
Operating Temperature: 32°F to 130°F

*Color

To order colors, add suffix to basic catalog number. Colors in parentheses must be ordered as Color Change Kits. Color suffixes are: Ivory (-I), White (-W), Almond (-A), Gray (-G), Black (-E) and Brown (-B).

Dimensional drawings and Color Change Kit illustrations on pages T5-T6.

For more information regarding coordinating wallplates, colors, materials, single and multi-gang, refer to Wallplates, section D.

Note: Sharing a neutral wire may cause flickering. Connect all dimmers to the same phase or run a separate neutral to each phase.

Digital Lighting and Fan Speed Controls are polarity sensitive devices. Always follow the wiring instructions included with each device. They can be used in conventional 3-way and 4-way wiring circuits only when the Control is properly connected to the load as indicated by the device's wiring instructions.

Use with Leviton Power Extender to extend load capacity.

CAUTION ON RETROFITS: When retrofitting Mark 10™ Powerline dimming ballasts into fixtures that originally had Instant Start ballasts, the sockets MUST be replaced with Rapid Start sockets to allow proper dimmer operation and prevent damage to the dimming ballast. Refer to the instructions provided with the ballast and the Leviton Mark 10™ Powerline dimmer.



MDI06-WAL
in D0301-WAL

MDI10-1LW
in 80301-SW

DECORA® Mural™ Digital Dimmers

Features & Benefits

- Now available in *Elements* by Decora® finishes that blend seamlessly with high-end surfaces
- Provides single-pole (one-location) and multi-location full range dimming when used with MS00R Multi-Remote unit
- Streamlined popular Decora styling enhances any interior and adds a family look when ganged with other Decora devices
- Smooth ON/OFF and DIM/BRIGHT Decora rocker action provides ease of operation for people of all ages and abilities
- Digital circuitry provides SOFT-ON/FADE-OFF switching for an eye-pleasing effect and extended lamp life. Compatible with Decora standard designer wallplates and Decora Plus screwless snap-on wallplates
- A second tap on upper half of rocker provides full bright. Double tap lower half for fast OFF
- Locator LED illuminated when lights are OFF (No LED on Remote Units)
- Color Change Kits available in a wide range of colors, making it easy and economical to change decorating schemes
- Protected memory and voltage compensation maintain light levels after power outages
- Square green LED display alongside rocker indicates selected brightness level
- Built-in radio/TV interference filter
- ON/OFF AC air gap switch completely disconnects power to unit for bulb changing or removal from service

MURAL™ DIGITAL DIMMERS

120V AC 60Hz Only All Mural™ dimmers provide single-pole (1 location) and 3-way (multi-location) control when used with Multi-Remote unit

Description	Cat. No.	Rating	Color*
Mural Incandescent with LED Locator and Brightness Display	MDI06-1L	600W	I, W, A (G, E, B with Kit)
Mural Incandescent with LED Locator and Brightness Display	MDI10-1L	1000W	I, W, A (G, E, B with Kit)
Mural Magnetic Low-Voltage with LED Locator and Brightness Display	MDM06-1L	600VA (450W)	I, W, A (G, E, B with Kit)
Mural Magnetic Low-Voltage with LED Locator and Brightness Display	MDM10-1L	1000VA (800W)	I, W, A (G, E, B with Kit)
Mural Electronic Low-Voltage with LED Locator and Brightness Display	MDE03-1LW	350VA (280W)	W (I, A, G, E, B with Kit)
Multi-Remote Unit for Multi-Location Dimming (no LED locator or display)	MS00R-10	No load rating	I, W, A (G, E, B with Kit)
Multi-Remote Unit for Electronic Low-Voltage Multi-Location Dimming (no LED locator or display)	MSE0R-10W	No load rating	W (I, A, G, E with Kit)
Color Change Kits for Mural Dimmers with LED locator and LED brightness display—MD series	DRKDD-1L	—	I, W, A, G, E, B
Color Change Kits for Multi-Remote Units (no LED locator or display)	DRKOR-00	—	I, W, A, G, E, B

ELEMENTS BY DECORA MURAL DIGITAL DIMMER

Description	Cat. No.	Rating	Finish**
Mural Incandescent with LED Locator and Brightness Display	MDI06	600W	BML, WML, OAK, WAL

Testing & Code Compliance

- UL Listed (File #E-31373)
- CSA Certified (File #LR-3413)
- Backed by a Limited Five-Year Warranty

Material Characteristics

Environmental: Flammability UL-94, V2 Rating
Operating Temperature: 32°F to 130°F

*Color

To order colors, add suffix to basic catalog number. Colors in parentheses must be ordered as Color Change Kits. Color suffixes are: Ivory (-I), White (-W), Almond (-A), Gray (-G), Black (-E) and Brown (-B).

**Finish

Elements by Decora Decorative Finishes

For MDI06 color selections, add suffix to the catalog number as follows: Black Marble (-BML), White Marble (-WML), Oak (-OAK), Walnut (-WAL).

Dimensional drawings and Color Change Kit illustrations on pages T5-T6.

Digital Lighting and Fan Speed Controls are polarity sensitive devices. Always follow the wiring instructions included with each device. They can be used in conventional 3-way and 4-way wiring circuits only when the Control is properly connected to the load as indicated by the device's wiring instructions.

Use with Leviton Power Extender to extend load capacity.

To learn more about Leviton's outstanding offering of devices, visit our Website at www.leviton.com



TPI06-1LG
in 80301-SGY

DECORA® TouchPoint™ Preset Digital Touch-Pad Dimmers

Features & Benefits

- New advanced digital touch-pad technology provides full range dimming by responding to where your finger is placed on the pad
- Pushbutton switch provides easy-to-use preset switch
- Provides single-pole (one-location) and multi-location full range dimming when used with MSOOR Multi-Remote unit
- Attractive Decora styling blends with any interior
- Digital circuitry provides SOFT-ON/FADE-OFF switching for an eye-pleasing effect and extended lamp life
- Compatible with Decora Plus screwless snap-on wallplates and Decora standard designer wallplates
- Locator LED is illuminated when lights are OFF (no LED on Remote Unit)
- Easy-to-read LED display alongside touch pad indicates selected brightness level
- Minimum Brightness Adjustment sets comfortable minimum light level
- Protected memory maintains light levels after power outages and during minor power fluctuations
- Built-in radio/TV interference filter
- Hidden ON/OFF AC air gap switch completely disconnects power to unit for bulb changing or removal from service

TOUCHPOINT™ PRESET DIGITAL TOUCH-PAD DIMMERS

120V AC 60Hz Only All TouchPoint dimmers provide single-pole (one location) and 3-way (multi-location) control when used with Multi-Remote.

Description	Cat. No.	Rating	Color *
TouchPoint Incandescent	TPI06-1L	600W	I, W, A, G, E
TouchPoint Incandescent	TPI10-1L	1000W	I, W, A, G, E
TouchPoint Magnetic Low-Voltage	TPM06-1L	600VA (450W)	I, W, A, G, E
TouchPoint Magnetic Low-Voltage	TPM10-1L	1000VA (800W)	I, W, A, G, E
TouchPoint Advance Mark 10™ Powerline Fluorescent Dimming Ballast	TPX06-1L	600VA	I, W, A, G, E
TouchPoint Advance Mark 10™ Powerline Fluorescent Dimming Ballast	TPX10-1L	1000VA	I, W, A, G, E
Multi-Remote Unit for multi-location dimming (no LED locator or display)	MSOOR-10	No load rating	I, W, A (G, E, B with kit)
Color Change Kits for Multi-Remote Units (no LED locator or display)	DRKOR-00	—	I, W, A, G, E, B

Testing & Code Compliance

- UL Listed (File #E-31373)
- CSA Certified (File #LR-3413)
- Backed by a Limited Five-Year Warranty

Material Characteristics

Environmental: Flammability UL-94, V2 Rating
Operating Temperature: 32°F to 130°F

*Color

To order colors, add suffix to basic catalog number. Colors in parentheses must be ordered as Color Change Kits. Color suffixes are: Ivory (-I), White (-W), Almond (-A), Gray (-G), Black (-E) and Brown (-B).

Dimensional drawings and Color Change Kit illustrations on pages T5-T6.

For more information regarding coordinating wallplates, colors, materials, single and multi-gang, refer to Wallplates, section D.

Note: Sharing a neutral wire may cause flickering. Connect all dimmers to the same phase or run a separate neutral to each phase.

Digital Lighting and Fan Speed Controls are polarity sensitive devices. Always follow the wiring instructions included with each device. They can be used in conventional 3-way and 4-way wiring circuits only when the Control is properly connected to the load as indicated by the device's wiring instructions.

Use with Leviton Power Extender to extend load capacity.

CAUTION ON RETROFITS: When retrofitting Mark 10™ Powerline dimming ballasts into fixtures that originally had Instant Start ballasts, the sockets MUST be replaced with Rapid Start sockets to allow proper dimmer operation and prevent damage to the dimming ballast. Refer to the instructions provided with the ballast and the Leviton Mark 10™ Powerline dimmer.



TT106-1AW
in 80301-SW

DECORA® True Touch™ Digital Touch Dimmers

Features & Benefits

- Provides fingertip ease of use and precise adjustment of lighting levels. Simple one-touch for ON at Preset level, or again for OFF. Touch and hold for BRIGHT/DIM lighting control
- Provides single-pole (one-location) and multi-location full range dimming when used with TTOOR remote unit
- Attractive Decora styling blends with any interior
- Digital circuitry provides SOFT-ON/FADE-OFF switching for an eye-pleasing effect and extended lamp life
- Compatible with Decora Plus screwless snap-on wallplates and Decora standard designer wallplates
- Locator LED is illuminated when lights are OFF (no LED on Remote Unit)
- Color Change Kits offered in a wide range of colors, making it easy and economical to change decorating schemes
- Protected memory maintains light levels after short-term power outages and during minor power fluctuations
- Built-in radio/TV interference filter
- ON/OFF AC air gap switch completely disconnects power to unit for bulb changing or removal from service

Testing & Code Compliance

- UL Listed (File #E-31373)
- CSA Certified (File #LR-3413)
- Backed by a Limited Five-Year Warranty

Material Characteristics

Environmental: Flammability UL-94, V2 Rating
Operating Temperature: 32°F to 130°F

*Color

TT106 comes packaged with two-in-one colors: All-White and All-Almond (AW), All-Ivory and All-Black (EI), and White Frame/Silver Touch and Ivory Frame/Gold Touch (GS). TT110 and TTM10 can be ordered in All-White (W), All-Ivory (I), All-Almond (A), White Frame/Silver Touch (WS) and Ivory Frame/Gold Touch (GI). Color Change Kits are available in these and the following other colors: All-Gray (GY), All-Black (E) and Brown Frame/Gold Touch (BG).

Dimensional drawings on page T6.

Digital Lighting and Fan Speed Controls are polarity sensitive devices. Always follow the wiring instructions included with each device. They can be used in conventional 3-way and 4-way wiring circuits only when the Control is properly connected to the load as indicated by the device's wiring instructions.

Use with Leviton Power Extender to extend load capacity.

TRUE TOUCH™ DIGITAL TOUCH DIMMERS

120V AC 60Hz Only All True Touch dimmers provide single-pole (one location) and 3-way (multi-location) control when used with True Touch Remote, except when noted.

Description	Cat. No.	Rating	Color*
True Touch Incandescent	TT106-1AW	600W	W + A
	TT106-1EI		I + E
	TT106-1GS		WS + GI
True Touch Incandescent	TT110-1	1000W	W, I, A, WS, GI
True Touch Magnetic Low-Voltage	TTM10-1	1000VA (800W)	W, I, A, WS, GI
True Touch Remote Unit (no LED)	TT00R-1	No load rating	W, I, A, WS, GI
True Touch Dimmer Color Change Kit	TTKIT-0	—	W, I, A, WS, GI, GY, E, BG
True Touch Remote Unit Color Change Kit	TTKTR-0	—	W, I, A, WS, GI, GY, E, BG



IPI06-1LZ
in 80301-SW

DECORA® IllumaTech™ Preset Slide Dimmers

Features & Benefits

- Fluid slide movement allows fine adjustment of light level with minimum effort
- Captured, wraparound slide bar always stays in place
- Preset versions provide an easy-to-use pushbutton switch with locator LED conveniently positioned, making the pushbutton easier to find in the dark
- Preset versions provide single-pole (one-location) and multi-location lighting control when used with a 3-way switch
- Attractive Decora styling blends with any interior
- Compatible with Decora Plus screwless snap-on wallplates and Decora standard designer wallplates
- Locator LED is illuminated when lights are OFF. LED is positioned in the same location on both Preset and Slide-To-Off versions, giving a true “family look” to IllumaTech
- Power failure recovery ensures retention of last setting before power interruption
- Built-in radio/TV interference filter
- Color Change Kits feature a self-aligning mechanism that automatically connects it to internal slider
- Snap-On Color Change Kits allow color changes on any device, eliminating the need to stock a separate device for every available color

ILLUMATECH™ PRESET SLIDE DIMMERS

All IllumaTech Preset Dimmers provide single-pole (one location) and 3-way (multi-location) control when used with a 3-way switch.

Preset Slide Controls—Single Pole and 3-Way, w/LED Locator

Description	Cat. No.	Rating	Color*
IllumaTech Incandescent	IPI06-1LZ	600W	I + W + T
	IPI06-1LX	120V AC 60Hz	I + W + A
IllumaTech Incandescent	IPI10-1LZ	1000W	I + W + T
	IPI10-1LX	120V AC 60Hz	I + W + A
IllumaTech Electronic Low-Voltage	IPE04-1LZ	400VA (320W)	I + W + T
	IPE04-1LX	120V AC 60Hz	I + W + A
IllumaTech Magnetic Low-Voltage	IPM06-1LZ	600VA (450W)	I + W + T
	IPM06-1LX	120V AC 60Hz	I + W + A
IllumaTech Magnetic Low-Voltage	IPM10-1LZ	1000VA (800W)	I + W + T
	IPM10-1LX	120V AC 60Hz	I + W + A
IllumaTech Advance Mark 7™ 0-10V Fluorescent Dimming Ballast	IP710-DLZ	1200VA @ 120V AC 60Hz,	I + W + T
	IP710-DLX	1500VA @ 277V AC 60Hz	I + W + A
IllumaTech Advance Mark10™ Powerline Fluorescent Dimming Ballast (no Locator LED)	IPX06-1LZ	600VA	I + W + T
	IPX06-1LX	120V AC 60Hz	I + W + A
IllumaTech Advance Mark10™ Powerline Fluorescent Dimming Ballast (no Locator LED)	IPX10-1LZ	1000VA	I + W + T
	IPX10-1LX	120V AC 60Hz	I + W + A
IllumaTech Advance Mark10™ Powerline Fluorescent Dimming Ballast (no Locator LED)	IPX06-7LZ	600VA	I + W + T
	IPX06-7LX	277V AC 60Hz	I + W + A
IllumaTech Advance Mark10™ Powerline Fluorescent Dimming Ballast (no Locator LED)	IPX12-7LZ	1200VA	I + W + T
	IPX12-7LX	277V AC 60Hz	I + W + A
IllumaTech Color Change Kit with LED window	IPKIT-00	—	I, W, A, T, G, E, B, R
IllumaTech Color Change Kit without LED window	IPKIT-0N	—	I, W, A, T, G, E, B, R

Testing & Code Compliance

- UL Listed (File #E-31373)
- CSA Certified (File #LR-3413)
- Backed by a Limited Five-Year Warranty

Material Characteristics

Environmental: Flammability UL-94, V2 Rating
Operating Temperature: 32°F to 130°F

*Color

IllumaTech Preset Controls come packaged with three colors. Controls with suffix (-Z) include Ivory, White and Light Almond; controls with suffix (-X) include Ivory, White and Almond. Color Change Kits are available in all colors. Add suffix to the Color Change Kit catalog number as follows: Ivory (-I), White (-W), Almond (-A), Light Almond (-T), Gray (-G), Black (-E), Brown (-B) and Red (-R).

Dimensional drawings on page T6. Color Change Kit illustration on page T7.

For more information regarding coordinating wallplates, colors, materials, single and multi-gang, refer to Wallplates, section D.

Note: Sharing a neutral wire may cause flickering. Connect all dimmers to the same phase or run a separate neutral to each phase.

Use with Leviton Power Extender to extend load capacity.

CAUTION ON RETROFITS: When retrofitting Mark 10™ Powerline dimming ballasts into fixtures that originally had Instant Start ballasts, the sockets MUST be replaced with Rapid Start sockets to allow proper dimmer operation and prevent damage to the dimming ballast. Refer to the instructions provided with the ballast and the Leviton Mark 10™ Powerline dimmer.



INI06-1LW in
80301-SW

RPI06-LAW in
80401-W

DECORA® *IllumaTech™ Slide-To-Off and Preset Rotary Dimmers*

Features & Benefits

- Attractive Decora® styling blends with any interior
- Compatible with Decora Plus® screwless snap-on wallplates and Decora standard designer wallplates
- Built-in radio/TV interference filter

IllumaTech™ Slide-To-Off Slide Dimmers

- Fluid slide movement allows fine adjustment of light level with minimum effort
- Captured, wraparound slide bar always stays in place
- Locator LED is illuminated when lights are OFF. LED is positioned in the same location on both Preset and Slide-To-Off versions, giving a true "family look" to IllumaTech
- Power failure recovery ensures retention of last setting before power interruption
- Color Change Kits feature a self-aligning mechanism that automatically connects it to internal slider
- Snap-On Color Change Kits allow color changes on any device, eliminating the need to stock a separate device for every available color

IllumaTech™ Preset Rotary Dimmers

- Combines traditional Rotary dial with contemporary Decora styling
- Captured knob stays in place
- Provides single-pole (one-location) or multi-location (3-way) control when used with a 3-way switch
- Available in illuminated and non-illuminated versions
- Slim, compact housing fits easily into a standard wallbox and is suitable for multi-gang installation

Testing & Code Compliance

- UL Listed (File #E-31373)
- CSA Certified (File #LR-3413)
- Backed by a Limited Five-Year Warranty

Material Characteristics

Environmental: Flammability UL-94, V2 Rating
Operating Temperature: 32°F to 130°F

*Color

Slide-To-Off Controls: To order colors, add suffix to basic catalog number. Colors in parentheses must be ordered as Color Change Kits. Color suffixes are: Ivory (-I), White (-W), Almond (-A), Gray (-G), Black (-E) and Brown (-B).

Rotary Controls: Controls with suffix (-AW) are assembled with Almond (A) and include White (W) kits; controls with suffix (-EI) are assembled with Black (E) and include Ivory (I) kits.

Dimensional drawings on page T6-T7. Color Change Kit illustration on page T7.

Use with Leviton Power Extender to extend load capacity.

ILLUMATECH™ SLIDE-TO-OFF SLIDE DIMMERS Single Pole Only, w/LED Locator 120V AC 60Hz Only

Description	Cat. No.	Rating	Color*
IllumaTech Incandescent	INI06-1L	600W	I, W, A (G, E, B with Kit)
IllumaTech Incandescent (no LED locator)	INI06-10	600W	I, W, A
IllumaTech Incandescent	INI10-1L	1000W	I, W, A (G, E, B with Kit)
IllumaTech Magnetic Low-Voltage	INM06-1L	600VA (450W)	I, W, A (G, E, B with Kit)
IllumaTech Magnetic Low-Voltage	INM10-1L	1000VA (800W)	I, W (A, G, E, B with Kit)
IllumaTech Color Change Kit	INKIT-00	—	I, W, A, G, E, B

ILLUMATECH™ PRESET ROTARY DIMMERS 120V AC 60HZ Only

All IllumaTech Rotary controls combine the ease of a traditional rotary dial with the contemporary look of Leviton Decora®.

Description	Cat. No.	Rating	Color
IllumaTech Rotary Incandescent, Single-Pole and 3-Way, Illuminated	RPI06-LAW RPI06-LEI	600W	W + A I + E
IllumaTech Rotary Incandescent, Single-Pole and 3-Way, Non-Illuminated	RPI06-OAW RPI06-OEI	600W	W + A I + E



6623-PA
in 80401-A

DECORA[®] SureSlide™ Full Range Slide Dimmers

Features & Benefits

- All SureSlide devices have a permanently mounted smooth-action integrated linear slide control for easy, precise operation
- SureSlide features a slim, compact housing that fits easily into a standard wallbox and is suitable for multi-gang installations
- Preset versions provide single-pole (one-location) and multi-location lighting control when used with a 3-way switch
- SureSlide's attractive Decora styling coordinates perfectly with Leviton's complete line of Decora designer wiring devices
- Compatible with Decora Plus screwless snap-on wallplates and Decora standard designer wallplates
- Built-in radio/TV interference filter
- SureSlide Cat. No. 6668 is specially designed to work with the Philips Dimmable Marathon

SURESLIDE™ FULL RANGE SLIDE DIMMERS Incandescent–120V AC 60Hz Only

Description	Cat. No.	Rating	Color*
SureSlide Single-Pole Slide-To-Off, Illuminated option	6631-L	600W	I, W, A, T
SureSlide Single-Pole and 3-Way with Preset ON/OFF Switch	6623-P	600W	I, W, GY, E (Basic Cat. No. Denotes Brown)
SureSlide Single-Pole and 3-Way with Preset ON/OFF Switch, Illuminated option	6633-PL	600W	I, W, A, T
SureSlide Dual Slide Dimmer – (2) Single-Pole Loads, Incandescent or Magnetic Low-Voltage	6628	300W or 300VA per Circuit; 600W/600VA Total	I, W, A, GY

Magnetic Low-Voltage–120V AC 60Hz Only

Description	Cat. No.	Rating	Color*
SureSlide Magnetic Low-Voltage Single-Pole with Preset ON/OFF Switch	6611-P	600VA (450W)	I, W, A, GY, E (Basic Cat. No. Denotes Brown)
SureSlide Magnetic Low-Voltage Single-Pole and 3-Way with Preset ON/OFF Switch, Illuminated option	6613-PL	600VA (450W)	I, W, A, T
SureSlide Electronic Low-Voltage Single-Pole and 3-Way with Preset ON/OFF Switch	6615-P	300W	W, T

Advance Mark 10™ Powerline/Philips Dimmable Marathon

Description	Cat. No.	Rating	Color* (Basic Cat. No. Denotes Brown)
SureSlide Single-Pole	6668	500W 120V Mark 10™ Powerline, 350W 120V Philips Dimmable Marathon	I, W

Testing & Code Compliance

- UL Listed (File #E-31373)
- CSA Certified (File #LR-3413)
- Backed by a Limited Five-Year Warranty

Material Characteristics

Environmental: Flammability UL-94, V2 Rating
Operating Temperature: 32°F to 130°F

*Color

Basic catalog number denotes Brown where indicated. To order available colors, add suffix to catalog number as follows: Ivory (-I), White (-W), Almond (-A), Light Almond (-T), Gray (-GY) and Black (-E).

Dimensional drawings on page T7.

For more information regarding coordinating wallplates, colors, materials, single and multi-gang, refer to Wallplates, section D.

Use with Leviton Power Extender to extend load capacity.

CAUTION ON RETROFITS: When retrofitting Mark 10™ Powerline dimming ballasts into fixtures that originally had Instant Start ballasts, the sockets MUST be replaced with Rapid Start sockets to allow proper dimmer operation and prevent damage to the dimming ballast. Refer to the instructions provided with the ballast and the Leviton Mark 10™ Powerline dimmer.



911-W
in 80401-W

6161-W
in 80401-W

DECORA® Lighting Controls

Features & Benefits

Four-Level Step Dimmer

- Eliminates guesswork — user selects one of four preset lighting levels (25%, 50%, 75%, 100%)
- Easily installs in place of single-pole switch
- LED indicates selected level of brightness
- Sleek designer styling; can be ganged with other Decora devices

911 Switch

- 911 replaces standard single-pole switch and alerts neighbors and helps emergency personnel locate a house quickly
- 911 Switch has standard ON/OFF operations plus a special illuminated "FLASH" position that causes controlled lighting to flash ON and OFF at one-second intervals

FOUR-LEVEL STEP DIMMER 120V AC 60Hz Incandescent Only

Description	Cat. No.	Rating	Color*
Four-Level Step Dimmer	6161	500W	I, W, A

911 FLASHER SWITCH 120V AC 60Hz Incandescent Only

Description	Cat. No.	Rating	Color*
Decora 3-Position Emergency Flasher Rocker Switch	911	500W	I, W, A

Testing & Code Compliance

- NOM Certified (#057)
- Backed by a Limited Five-Year Warranty

Four-Level Step Dimmer:

- UL Listed (File #E-31373)
- CSA Certified (File #LR-3413)

911 Switch:

- UL Listed (File #E-7458)
- CSA Certified (File #LR-3413)

Material Characteristics

Environmental: Flammability UL-94, V2 Rating
Operating Temperature: 32°F to 130°F

*Color

Colors available as listed. For color selections, add suffix to catalog numbers as follows: Ivory (-I), White (-W), Almond (-A).

Dimensional drawings on pages T7.

DECORA[®] Fan Speed Controls

Features & Benefits

- Quiet 1.5 Amp Fan Speed Controls are ideal for libraries, study rooms and any area where ceiling fan noise could become distracting. Full-range 5-amp fan speed controls are also available
- Manual low-speed trim adjustment for proper restart after power interruption
- Attractive Decora styling blends with any interior
- Compatible with Decora Plus screwless snap-on wallplates and Decora standard designer wallplates



IPF01-1LZ
in 80301-SW

INF01-1LW
in 80301-SW

Commercial Grade

ILLUMATECH™ PRESET SLIDE FAN SPEED CONTROLS Single Pole and 3-way, with LED Locator 120V AC 60HZ Only

IlumaTech Preset Devices provide single-pole (one location) and 3-way (multi-location) control when used with a 3-way switch.

Description	Cat. No.	Rating	Color*
IlumaTech Quiet Fan Speed Control	IPF01-1LZ IPF01-1LX	1.5 Amp	I + W + T I + W + A
IlumaTech Fan Speed Control	IPF05-1LZ IPF05-1LX	5 Amp	I + W + T I + W + A
IlumaTech Color Change Kit	IPKIT-00	—	I, W, A, T, G, E, B, R
IlumaTech Color Change Kit for Quiet Fan Speed Control	IPQFK-00	—	I, W, A, T, G, E, B, R

Residential Grade

ILLUMATECH™ SLIDE-TO-OFF FAN SPEED CONTROLS Single Pole Only, with LED Locator 120V AC 60Hz Only

Description	Cat. No.	Rating	Color*
IlumaTech Quiet Fan Speed Control	INF01-1L	1.5 Amp	I, W, A (G, E, B with Kit)
IlumaTech Fan Speed Control	INF05-1L	5 Amp	I, W, A (G, E, B with Kit)
IlumaTech Color Change Kit for Quiet Fan Speed Control	INQFK-00	—	I, W, A, G, E, B
IlumaTech Color Change Kit	INKIT-00	—	I, W, A, G, E, B

Testing & Code Compliance

- UL Listed (File #E-31373)
- CSA Certified (File #LR-3413)
- Backed by a Limited Five-Year Warranty

Material Characteristics

Environmental: Flammability UL-94, V2 Rating
Operating Temperature: 32°F to 130°F

*Color

IlumaTech Preset Controls: Packaged with three colors. Controls with suffix (-Z) include Ivory, White and Light Almond; controls with suffix (-X) include Ivory, White and Almond. Color Change Kits are available in all colors. Add suffix to the Color Change Kit catalog number as follows: Ivory (-I), White (-W), Almond (-A), Light Almond (-T), Gray (-G), Black (-E), Brown (-B) and Red (-R).

Slide-To-Off Controls: To order colors, add suffix to basic catalog number. Colors in parentheses must be ordered as Color Change Kits. Color suffixes are: Ivory (-I), White (-W), Almond (-A), Gray (-G), Black (-E) and Brown (-B).

Dimensional drawings on page T6. Color Change Kit illustration on page T7.

For more information regarding coordinating wallplates, colors, materials, single and multi-gang, refer to Wallplates, section D.

DECORA[®] Fan Speed Controls

Features & Benefits

- Vizia™ Controls offer a new look with streamlined return-to-neutral push pad and provide preset ON/OFF switching
- IllumaTech™ Rotary Controls combine traditional Rotary dial with contemporary Decora styling
- Mural™ L/S Controls provide smooth Decora rocker action for Preset ON/OFF switching with built-in arrow-shaped rocker for Fan Speed Control
- Mural™ MD Controls provides smooth Decora rocker action for ON/OFF and Fan Speed Control
- Quiet 1.5 Amp Fan Speed Controls are ideal for libraries, study rooms and any area where ceiling fan noise could become distracting. Full-range 5-amp fan speed controls are also available
- Attractive Decora styling blends with any interior
- Compatible with Decora Plus screwless snap-on wallplates and Decora standard designer wallplates



VZF01-1LZ
in 80301-SW

RTD01-OAW
in 80301-SW

NEW FROM LEVITON

Commercial Grade

VIZIA™ FAN SPEED CONTROLS 120V AC 60Hz Only

Vizia devices provide single-pole (one location) and 3-way (multi-location) control when used with Remote Unit.

Description	Cat. No.	Rating	Color*
Vizia Quiet Fan Speed Control	VZF01-1LZ VZF01-1LX	1.5A	I + W + T I + W + A
Vizia Matching Fan Speed Control Remote, up to 5 locations applications	VZ00R-1LZ VZ00R-1LX	No load rating	I + W + T I + W + A
Vizia Coordinating Fan Speed Control Remote, (no LEDs) up to 10 location applications	VZ00R-1OZ VZ00R-1OX	No load rating	I + W + T I + W + A
Vizia Matching Dimmer/Fan Speed Color Change Kit	VZKIT-MD	—	I, W, A, T, G, E, B, R
Vizia Coordinating Dimmer/Fan Speed Color Change Kit	VZKIT-CD	—	I, W, A, T, G, E, B, R

Note: See page E3 for Vizia Switch Remotes

Testing & Code Compliance

- UL Listed (File #E-31373)
- CSA Certified (File #LR-3413)
- Backed by a Limited Five-Year Warranty

Material Characteristics

Environmental: Flammability UL-94, V2 Rating
Operating Temperature: 32°F to 130°F

*Color

Vizia Preset Controls: Controls come packaged with three colors. Controls with suffix (-Z) include Ivory, White and Light Almond. Controls with suffix (-X) include Ivory, White and Almond. Color Change Kits are available in all colors. Add suffix to the Color Change Kit catalog number as follows Ivory (-I), White (-W), Almond (-A), Light Almond (-T), Gray (-G), Black (-E), Brown (-B) and Red (-R).

IllumaTech Rotary Controls: Controls with suffix (-AW) are assembled with Almond (A) and include White (W) kits; controls with suffix (-EI) are assembled with Black (E) and include Ivory (I) kits.

Mural L/S and MD Controls: To order colors, add suffix to basic catalog number. Colors in parentheses must be ordered as Color Change Kits. Color suffixes are: Ivory (-I), White (-W), Almond (-A), Gray (-G), Black (-E) and Brown (-B).

Vizia dimensional drawings on page T5. Mural dimensional drawings and Color Change Kit illustrations on page T5-T6. IllumaTech Rotary drawings on page T7.

Digital Lighting and Fan Speed Controls are polarity sensitive devices. Always follow the wiring instructions included with each device. They can be used in conventional 3-way and 4-way wiring circuits only when the Control is properly connected to the load as indicated by the device's wiring instructions.

Use with Leviton Power Extender to extend load capacity.

Residential Grade

ILLUMATECH™ ROTARY ON/OFF CONTROLS 120V AC 60Hz Only

Description	Cat. No.	Rating	Color*
IllumaTech Rotary Quiet Fan Speed Control, Single-Pole, Non-Illuminated	RTF01-OAW RTF01-OEI	1.5 Amp	W + A I + E
IllumaTech Rotary Dual Quiet Fan Speed Control and Fixture Dimmer, Single-Pole, Non-Illuminated	RTD01-OAW RTD01-OEI	1.5 Amp Fan Control/ 300W Dimmer	W + A I + E

Commercial Grade

MURAL™ FAN SPEED CONTROLS 120V AC 60Hz Only

Mural devices provide single-pole (one location) and 3-way (multi-location) control when used with Multi-Remote unit.

Description	Cat. No.	Rating	Color*
Mural L/S Quiet Fan Speed Control with LED Locator and Brightness Display	MLF01-1L	1.5 Amp	I, W, A (G, E, B with Kit)
Mural Quiet Fan Speed Control with LED Locator and Brightness Display	MDF01-1L	1.5 Amp	I, W, A (G, E, B with Kit)
Multi-Remote Unit for Multi-Location Fan Speed Control (no LED locator or display)	MS00R-10	No load rating	I, W, A (G, E, B with Kit)
Color Change Kit for Mural L/S Control	DLKDD-1L	—	I, W, A, G, E, B
Color Change Kit for Mural MD Control	DRKDD-1L	—	I, W, A, G, E, B
Color Change Kit for Multi-Remote Unit	DRK0R-00	—	I, W, A, G, E, B

To learn more about Leviton's outstanding offering of devices, visit our Website at www.leviton.com



Fan Speed Controls



6627-PG
in 80301-SGY

6630-A
in 80301-SA

DECORA® Fan Speed Controls

Features & Benefits

- Quiet 1.5 Amp Fan Speed Controls are ideal for libraries, study rooms and any area where ceiling fan noise could become distracting. Full-range 5-amp fan speed controls are also available
- Manual low-speed trim adjustment for proper restart after power interruption
- Attractive Decora styling blends with any interior
- Compatible with Decora Plus screwless snap-on wallplates and Decora standard designer wallplates

SURESLIDE™ FULL-RANGE FAN SPEED CONTROLS 120V AC 60HZ Only

Description	Cat. No.	Rating	Color* (Basic Cat. No. Denotes Brown)
SureSlide Single-Pole	6627-1	5 Amp	I, W
SureSlide Single-Pole with Preset ON/OFF Switch	6627-P	5 Amp	I, W, A, G, E
SureSlide 3-Way with Preset ON/OFF Switch	6637-P	5 Amp	I, W, A (N/A in Brown)

SURESLIDE™ QUIET STEP FAN SPEED CONTROLS 120V AC 60HZ Only

Description	Cat. No.	Rating	Color* (N/A in Brown)
SureSlide Single-Pole Quiet Step with Preset ON/OFF	6629-P	1.5 Amp	I, W, A, GY
SureSlide 3-Way Quiet Step with Preset ON/OFF	6629-3	1.5 Amp	I, W, A, GY
SureSlide Dual Quiet Fan Speed and Fixture Dimmer	6630	1.5A Fan/ 300W Fixture	I, W, A, T, GY

Fan Speed Controls

Testing & Code Compliance

- UL Listed (File #E-31373)
- CSA Certified (File #LR-3413)
- NOM Certified (#057)
- Backed by a Limited Five-Year Warranty

Material Characteristics

Environmental: Flammability UL-94, V2 Rating
Operating Temperature: 32°F to 130°F

*Color

Basic catalog number denotes Brown where indicated. To order available colors, add suffix to catalog number as follows: Ivory (-I), White (-W), Almond (-A), Light Almond (-T), Gray (-GY or -G) and Black (-E).

Dimensional drawings on page T7.

For more information regarding coordinating wallplates, colors, materials, single and multi-gang, refer to Wallplates, section D.



6124H-W
in 80401-W

DECORA[®] PLUS Programmable Timer and Variable Countdown Switches

Features & Benefits

- Impact-resistant thermoplastic face and quality construction for long service life and superior performance
- Decora styling enhances any decor

24-Hour Programmable Timer

- Ideal in commercial and residential applications including outdoor lighting, pools, motors, attic fans, hot tubs and security lighting
- Permits separate ON or OFF scheduling for half-hour periods of the day; ON/OFF manual control available by using button below display panel
- Back-lit liquid crystal display (LCD) is easy to read
- Easy-to-use programming buttons
- Memory maintained up to 2 hours in case of power failure

Note: Decora Plus screwless snap-on wallplates cannot be used with Cat. No. 6124H

14-Hour Programmable Timer

- Designed for residential incandescent lighting control, including indoor, outdoor and seasonal lighting
- Automates daily switching program (up to 14 hours) by responding to DIP switch ON or OFF position for each hour, repeats until function switch is moved to Manual or OFF mode
- ON/OFF manual control possible only when tab at bottom of frame is moved to the "MAN" (manual) position

Countdown Timer Switch

- For residential and light commercial applications including indoor/outdoor lighting, office lights and ceiling paddle fans
- Simple rotary-dial time selection of settings from 1 minute to 18 hours
- To turn load(s) OFF manually, press the touch plate twice within one second
- Illuminated LED indicates load is ON. Blinking LED accompanied by annunciated sound indicates end of time cycle

Testing & Code Compliance

- UL Listed (File #E-66800—Cat. Nos. 6651, 6124H; File #E-148771 Cat. No. 6652)
- CSA Certified (File #LR-68679 Cat. Nos. 6651, 6652, 6124H)
- NOM Certified (#057)
- Backed by a Limited Two-Year Warranty

Material Characteristics

Environmental: Flammability UL-94, V2 Rating
Operating Temperature: 32°F to 130°F

*Color

Colors available as listed. For color selections, add suffix to catalog numbers as follows: Ivory (-I), White (-W), Almond (-A).

Dimensional drawings on page T8.

24-HOUR PROGRAMMABLE ELECTRONIC TIMER SWITCH

Description	Cat. No.	Interval	Color*
24-Hour LCD Programmable Timer Switch 1200W Incandescent, 1200VA Inductive @ 120V AC 60Hz Motor: 1HP @ 120V AC 60Hz UL, 3/4HP @ 120V AC 60Hz CSA Neutral Connection Required Compatible with electronic ballasts	6124H	24-Hour ON/OFF scheduling in 30 minute intervals	I, W, A

14-HOUR PROGRAMMABLE ELECTRONIC TIMER SWITCH

Description	Cat. No.	Interval	Color*
14-Hour Segment Programmable Timer Switch 40W min., 500W max. @ 120V AC 60Hz Incandescent Only Neutral Not Required	6651	14-Hour ON/OFF scheduling in hourly intervals	I, W, A

VARIABLE COUNTDOWN TIMER SWITCH

Description	Cat. No.	Interval	Color*
Rotary-Dial Variable Countdown Timer Switch 500W Incandescent, 500VA Inductive 1/6 HP @ 120V AC 60Hz Neutral Connection Required	6652	1 minute to 18 hours	I, W, A

For answers to technical questions,
call Leviton's Techline at 1-800-824-3005





6515M-W
in 80401-SW

DECORA[®] PLUS Electronic Timer Switches

Features & Benefits

- Leviton Timers add contemporary styling to any commercial or residential application and are ideal for heat lamps, foyer and outdoor lights, hot tubs, spas, attic and exhaust fans
- Built to the highest performance standards, Decora Electronic Timers provide long-lasting trouble-free service life
- Electronic Timer Switch has four preset buttons plus OFF for timed control of lights and appliances
- Electronic Timer Switch LEDs indicate time elapsed and last LED flashes two minutes until OFF warning
- All install easily in single gang wallbox in place of standard switch
- Matching wallplate included

Commercial Grade

ELECTRONIC TIMER SWITCHES 120V AC 60Hz Only

Description	Cat. No.	Interval	Color*
Four Preset Buttons & OFF	6215M	2-5-10-15 Minutes	I, W, A
3-Wire, Single-Pole	6230M	5-10-15-30 Minutes	I, W, A
(Neutral Required)	6260M	10-20-30-60 Minutes	I, W, A
1000W Incandescent, 20A Inductive 1 HP @ 120V	6212H	2-4-8-12 Hours	I, W, A

Residential Grade

ELECTRONIC TIMER SWITCHES 120V AC 60Hz Only

Description	Cat. No.	Interval	Color*
Four Preset Buttons & OFF	6515M	2-5-10-15 Minutes	I, W, A
500W Incandescent, 5A	6560M	10-20-30-60 Minutes	I, W, A
Inductive	6512H	2-4-8-12 Hours	I, W, A

Testing & Code Compliance

- UL Listed (File #E-66800)
- CSA Certified (File #LR-68679)
- NOM Certified (#057)
- Backed by a Limited Two-Year Warranty

Material Characteristics

Environmental: Flammability UL-94, V2 Rating
Operating Temperature: 32°F to 130°F

*Color

Colors available as listed. For color selections, add suffix to catalog number as follows: Ivory (-I), White (-W), Almond (-A).

Dimensional drawings on page T8

For more information regarding coordinating wallplates, colors, materials, single and multi-gang, refer to Wallplates, section D.



ODS0D-IDG
in 80301-SGY

DECORA® Occupancy Sensor Lighting Controls

Features & Benefits

For All Devices Listed Below

- 180° coverage pattern up to 2100 sq. ft.
- One unit can be used for 120-277V 60Hz AC lighting—incandescent, magnetic or electronic low-voltage, and magnetic or electronic fluorescent; and motor loads
- Ambient light override prevents lights from turning ON when there is ample natural light
- Pushbutton manual override turns lights ON at any time regardless of override setting
- Elegant Decora styling complements any interior, uses Decora wallplates
- Fits in standard wallbox—units may be ganged

ODS15-ID

- Ideal for use in small offices, conference rooms, classrooms, stockrooms, lounges, non-partitioned restrooms, warehouses and other commercial areas
- Exclusive, automatic “walk-through” sensing saves energy by shutting off lights within 2 1/2 minutes after momentary occupancy
- Self-Adjusting Delayed-OFF time interval compensates for real-time occupancy patterns, preventing unnecessary ON/OFF switching

ODS0D-ID

- Ideal for use in classrooms, multimedia and conference rooms, day care centers, offices and lounges
- Provides automatic switching for 2 separate banks of incandescent, fluorescent, or low-voltage lighting from a single unit
- Choice of “Conference Room” or “Class Room” modes for maximum performance and energy savings in a variety of installations
- Exclusive, automatic “walk-through” sensing saves energy by shutting off lights within 2 1/2 minutes after momentary occupancy
- Self-Adjusting Delayed-OFF time interval compensates for real-time occupancy patterns, preventing unnecessary ON/OFF switching
- Dual pushbuttons provide manual ON/OFF switching for each load at any time

ODS10-ID

- Ideal for use in small offices, conference rooms, storage rooms, copier rooms, closets and other enclosed areas
- Manual Delayed-OFF time settings of 10, 20, and 30 minutes, with 30-second test mode

Note: Multi-Technology Wall Switch Occupancy Sensor available (Cat. No. OSSMT-MD). Call your Leviton representative for details.

Testing & Code Compliance

- Complies with California Title 24 2005 Nonresidential Energy Code Regulations
- UL Listed (File #E-118904)
- CSA Certified (File #LR-91148M)
- Backed by a Limited Five-Year Warranty

Material Characteristics

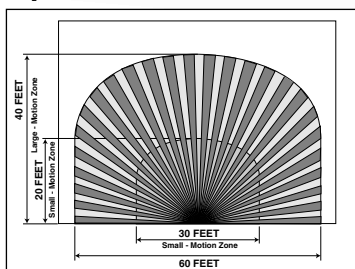
Operating Temperature: 0°C to 50°C
Storage Temperature: -10°C to 85°C
Relative Humidity: 20% to 90% noncondensing

*Color

Colors available as listed. For color selections, add suffix to catalog numbers as follows: Ivory (-I), White (-W), Almond (-A), Light Almond (-T) and Gray (-G).

Dimensional drawings on page T8.

Top View



Field of View for ODS15-ID/ODS10-ID, ODS0D-ID

WALL SWITCH INFRARED OCCUPANCY SENSOR—Incandescent or Fluorescent

Description	Cat. No.	Rating	Coverage	Color
Decora Wall Switch PIR Occupancy Sensor with Self-Adaptive Technology	ODS15-ID	Incandescent: 1800W @ 120V. Fluorescent: 1800VA @ 120V, 4000VA @ 277V. For 60Hz AC only. Motor: 1/4HP @ 120V AC	180°, 2,100 sq. ft	I, W, A, T, G
Decora Wall Switch PIR Occupancy Sensor	ODS10-ID	Incandescent: 800W @ 120V. Fluorescent: 1200VA @ 120V, 2700VA @ 277V. For 60Hz AC only. Motor: 1/4HP @ 120V AC	180°, 2,100 sq. ft	I, W, A, T, G

DUAL RELY WALL SWITCH INFRARED OCCUPANCY SENSOR—Incandescent or Fluorescent

Description	Cat. No.	Photocell Control Options per Relay	Rating	Coverage	Color
Dual-Relay Decora Wall Switch PIR Occupancy Sensor with Self-Adaptive Technology	ODS0D-ID	Default Setting: Conference Room Mode—Both Primary and Secondary Relays respond to Ambient Light Override. Alternate Setting: Classroom Mode—Primary Relay only responds to Ambient Light Override.	Primary Relay: 800W @ 120V. Fluorescent: 1200VA @ 120V, 2700VA @ 277V. Secondary Relay: Incandescent: 800W @ 120V. Fluorescent: 800VA @ 120V, 1200VA @ 277V.	180°, 2,100 sq. ft	I, W, A, T, G

To learn more about Leviton's outstanding offering of devices, visit our Website at www.leviton.com





IPP10-1LW
in 80301-SW

DECORA® Manual-ON Occupancy Sensor Lighting Control

Features & Benefits

- Provides Manual-ON/Automatic-OFF operation in accordance with California Title 24 2005 requirements
- Compatible with 120V incandescent, low-voltage and fluorescent loads with electronic or magnetic ballasts
- 180° coverage pattern up to 900 sq. ft.
- Pushbutton provides Manual ON/OFF light switching at any time
- Ideal for use in bathrooms, basements, garages, utility and laundry rooms and a variety of residential applications
- Manual Delayed-OFF time settings of 30 seconds (for testing), 10 minutes, 20 minutes and 30 minutes
- If motion is detected within 30 seconds after lights have switched OFF automatically, lights will turn back ON. If no motion is detected within 30 seconds, lights will remain OFF and have to be turned back ON manually.
- Internal relay switches at the zero crossing to ensure maximum contact life and compatibility with electronic ballasts
- Elegant Decora styling complements any interior, uses Decora wallplates
- Fits in standard wallbox—units may be ganged

WALL SWITCH MANUAL-ON/AUTOMATIC OFF OCCUPANCY SENSOR – Incandescent or Fluorescent

Description	Cat. No.	Rating	Coverage	Color*
Decora Manual-ON/Automatic OFF PIR Occupancy Sensor, single-pole, neutral connection required	IPP10-1L	Incandescent: 800W @ 120V AC, Fluorescent: 1200VA @ 120V AC, Motor: 1/4 HP @ 120V AC	180°, 900 sq. ft.	I, W, A, T

Testing & Code Compliance

- Complies with California Title 24 2005 Energy Code Regulations
- UL Listed (File #E-118904)
- CSA Certified (File #LR-91148M)
- Backed by a Limited Five-Year Warranty

Material Characteristics

Operating Temperature: 0°C to 50°C
Storage Temperature: -10°C to 85°C
Relative Humidity: 20% to 90% noncondensing

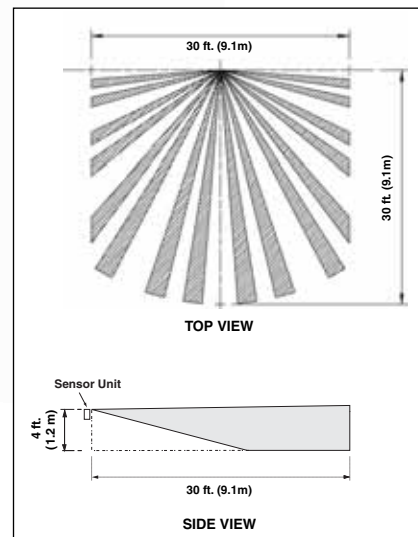
*Color

Colors available as listed. For color selections, add suffix to catalog number as follows: Ivory (-I), White (-W), Almond (-A) and Light Almond (-T)

Dimensional drawings on page T8.

For more information regarding coordinating wallplates, colors, materials, single and multi-gang, refer to Wallplates, section D.

Top View



Field of View for IPP10-1L



PR150-1LW
in 80401-W

DECORA® Occupancy Sensor Lighting Controls

Features & Benefits

For All Devices Listed

- Manual Delayed-OFF time settings from 15 seconds (for testing) to 15 minutes
- Ambient light override prevents lights from turning ON when there is ample natural light
- Manual override setting allows use as a standard ON/OFF switch when desired
- Elegant Decora styling complements any interior, uses Decora wallplates
- Fits in standard wallbox—units may be ganged

PR180

- For use in large rooms, home offices and a variety of light commercial and residential applications
- 180° coverage pattern up to 600 sq. ft.
- Can be used for both single-pole and 3-way installations
- Can be used with incandescent or fluorescent lighting

PR150

- For use in home offices and a variety of residential applications
- 150° coverage pattern
- Can be used with incandescent or fluorescent lighting

Testing & Code Compliance

- UL Listed (File #E-118904)
- CSA Certified (File #LR-91148M)
- NOM Certified (#057)
- Backed by a Limited Five-Year Warranty

Material Characteristics

Operating Temperature: 0°C to 50°
Storage Temperature: -10°C to 85°C
Relative Humidity: 20% to 90% noncondensing

*Color

Colors available as listed. For color selections, add suffix to catalog numbers as follows: Ivory (-I), White (-W), and Almond (-A).

Commercial Grade

DECORA® WALL SWITCH INFRARED OCCUPANCY SENSOR

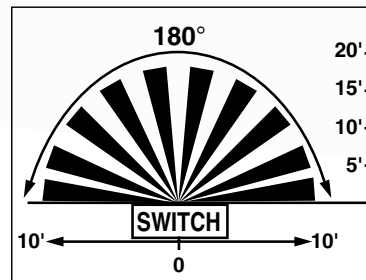
Description	Cat. No.	Rating	Coverage	Color*
Decora Wall Switch PIR Occupancy Sensor, Single-Pole & 3-Way,	PR180-1L	Incandescent: 500W, Fluorescent: 400VA Rapid Start Magnetic only @ 120V AC, Motor: 1/8 HP @ 120V AC	180°, 400 sq. ft.	I, W, A

Residential Grade

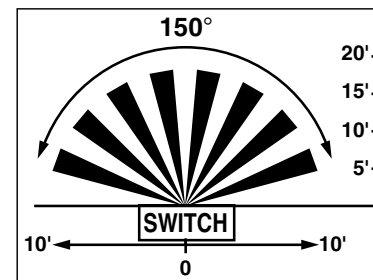
DECORA® WALL SWITCH INFRARED OCCUPANCY SENSOR

Description	Cat. No.	Rating	Coverage	Color*
Decora Wall Switch PIR Occupancy Sensor, Single-Pole,	PR150-1L	Incandescent: 500W, Fluorescent: 400VA Rapid Start Magnetic only @ 120V AC, Motor: 1/8 HP @ 120V AC	150°, 350 sq. ft.	I, W, A

Top Views



Field of View for PR180



Field of View for PR150

For answers to technical questions, call Leviton's Techline at 1-800-824-3005



Convert any room into a multimedia entertainment studio or home office with Decora[®] Voice, Data, Video and Audio devices.

For the ultimate in whole-house media distribution, team Decora designer devices with Leviton Integrated Networks[®] products and Structured Media[™] systems.

Reflecting the stylish look of Decora, these devices come in coordinating colors and provide maximum configuration options at minimal cost.

For additional information on Leviton Integrated Networks products, visit www.leviton.com/lin



Voice, Data, Video and Audio Devices



Voice, Data, Video and Audio Devices



Six 40837-BAE in 41646-A insert in 80401-A wallplate
CAT 5e Connector
5G108-RA5 shown in photo insert

DECORA® QuickPort® Snap-In Modules

QuickPort Snap-In Modules provide a full range of jacks, connectors and modules that fit a large family of housings. Communications wiring interfaces can be tailored to support the user's exact requirements for voice, data, video, audio and security applications.

Features & Benefits

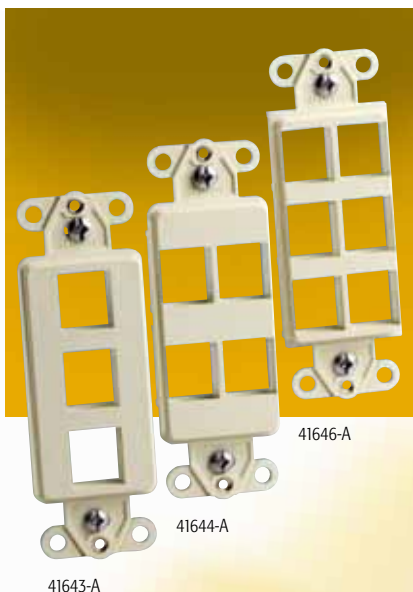
- Category 5e jacks are certified to meet TIA/EIA-568-B.2 and FCC Part 68 requirements
- Each modular jack's patented "cutting ledge" trims the wire during termination when used with the D814 punchdown tool
- Audio and video connectors require no soldering; connections can be made with easy-to-use tools
- All jacks feature color-coded wiring labels for fast, accurate terminations
- F-Type, RCA, Binding Posts, BNC and Banana jacks are available gold-plated. F-Type, and BNC jacks are also available nickel-plated
- Modules are listed in accordance with UL 1863, and fully compliant with NEC Article 800

Commercial Grade

QUICKPORT® SNAP-IN MODULES

Description	Color w/Cat. No.		
	Ivory	White	Almond
8-Conductor Category 5e Jack* Individual Polybag Pack Retail Box of 10 w/Termination Tool	5G108-RI5 —	5G108-RW5 5G108-W	5G108-RA5 5G108-A
6-Conductor Voice Grade Jack Individual Polybag Pack Retail Box of 10 w/Termination Tool	41106-RI6 —	41106-RW6 41106-W	41106-RA6 41106-A
Gold-Plated F-Type Bulkhead Module Individual Polybag Pack Carded Pack, Standard Carton	40831-BI —	40831-BW 40831-W	40831-BA 40831-A
Nickel-Plated F-Type Bulkhead Module Polybag Pack	40731-BI	40731-BW	40731-BA
Gold-Plated BNC Bulkhead Module* Individual Polybag Pack Carded Pack, Standard Carton	40832-BI —	40832-BW 40832-W	40832-BA 40832-A
Standard BNC Bulkhead Module, Polybag Pack	41084-BIF	41084-BWF	41084-BAF
Gold-Plated RCA Bulkhead Module, Solderless Connection Black Stripe on Connector, Individual Polybag Pack Red Stripe on Connector, Individual Polybag Pack Yellow Stripe on Connector, Individual Polybag Pack One Black/One Red Stripe Pair per Carded Unit Pack, Standard Carton	40830-BIE 40830-BIR 40830-BIY —	40830-BWE 40830-BWR 40830-BWY 40830-W	40830-BAE 40830-BAR 40830-BAY 40830-A
Gold-Plated Banana Jack Module, Solderless Connection Black Stripe on Connector, Individual Polybag Pack Red Stripe on Connector, Individual Polybag Pack One Black/One Red Stripe Pair per Carded Unit Pack, Standard Carton	40837-BIE 40837-BIR —	40837-BWE 40837-BWR 40837-W	40837-BAE 40837-BAR 40837-A
Gold-Plated Binding Post Module, Solderless Connection* Black Stripe on Connector, Individual Polybag Pack Red Stripe on Connector, Individual Polybag Pack One Black/One Red Stripe Pair per Carded Unit Pack, Standard Carton	40833-BIE 40833-BIR —	40833-BWE 40833-BWR 40833-W	40833-BAE 40833-BAR 40833-A
S-Video Connector, 110 Style IDC Punchdowns on Rear of Connector Individual Polybag Pack	40734-SVI	40734-SVW	40734-SVA
Snap-In Blank Module Individual unit, 10 Units per Polybag Pack 4 per Carded Unit Pack, Standard Carton	41084-BIB —	41084-BWB 41084-W	41084-BAB 41084-A

Note: QuickPort Snap-In Modules are to be used with QuickPort Wallplate Inserts, see page F3
*Available in Light Almond



DECORA[®] PLUS QuickPort[®] Wallplate Inserts

Features & Benefits

- Bring voice, data, audio and video together in one wallplate
- Allow you to match multimedia outlets to wallplates for electrical or lighting systems
- Mix and match QuickPort Snap-in modules in variations of two, three, four or six
- Compatible with the full line of Decora standard designer wallplates, Decora Plus screwless snap-on wallplates and Leviton sectional wallplates
- Fit standard NEMA wallboxes
- Include sturdy steel nuts on mounting tabs to ensure secure wallplate mounting without stripping

QUICKPORT[®] DECORA[®] MULTIMEDIA INSERTS Polybag Pack, Standard Carton

Description Insert	Color w/Cat. No.						
	Ivory	White	Almond	Light Almond	Gray	Black	Brown
2-Port	41642-I	41642-W	41642-A	41642-T	41642-G	41642-E	41642-B
3-Port	41643-I	41643-W	41643-A	41643-T	41643-G	41643-E	41643-B
4-Port	41644-I	41644-W	41644-A	41644-T	41644-G	41644-E	41644-B
6-Port	41646-I	41646-W	41646-A	41646-T	41646-G	41646-E	41646-B
2-Port Insert/Connector Kits						Ivory	White
2-Port Insert w/Two 6-Conductor Connectors						41666-I	41666-W
2-Port Insert w/Two 8-Conductor Connectors						41688-I	41688-W

Note: For QuickPort Snap-In Modules, see page F2

Voice, Data, Video and Audio Devices

DECORA[®] PLUS Voice, Data, Video and Audio Devices



40682-I in
41642-I insert
in 80301-SI
wallplate

Features & Benefits

- All wall jacks are compatible with Decora Plus screwless snap-on wallplates and Decora standard designer wallplates
- All wall jacks can be used with single or multiple-gang wall boxes
- Modular Jacks have 50 micro-inches hard gold-plated phosphor bronze spring wire contacts
- F-connector can be used for 75-OHM cable connections for televisions and VCR's
- Decora Plus Duplex Jack uses snap-in modules with quick-connect insulation displacement terminals for 22 or 24 AWG wire

Commercial Grade

WALL JACKS Type 625 Telephone Wall Jacks

Description	Color w/Cat. No.					
	Ivory	White	Almond	Gray	Black	Brown
6-Position, 4-Conductor	40649-I	40649-W	40649-A	40649-GY	40649-E	40649
6-Position, 4 Conductor, Carded with Wallplate	5680-I	5680-W	—	—	—	—
6-Position, 6-Conductor	40638-I	40638-W	40638-A	40638-GY	—	40638
8-Position, 8-Conductor	40680-I	40680-W	—	40680-GY	—	40680

F-Connector Wall Jacks†

Description	Color w/Cat. No.					
	Ivory	White	Almond	Gray	Black	Brown
Single F-Connector*	40681-I	40681-W	40681-A	40681-GY	—	40681
Duplex F-Connector	40682-I	40682-W	4D682-A	40682-GY	—	40682
Single F-Connector* (includes snap-on Decora Plus [®] Wallplate)	80381-I	80381-W	80381-A	80381-GY	80381-E	—

†Standard bulkhead F-connector for CATV or other video applications. These jacks are not rated UL 94 V-0.
*Available in Light Almond.

Testing & Code Compliance

- UL Listed (File #109712) in accordance with NEC Article 800-51(-1)
- CSA Certified (File #80287 for all Wall Jacks except 80381, which is File #LR-20064)
- NOM Certified (#057)
- Decora F-Connector Wall Jacks meet specs for UL 1863
- Meet FCC Part 68 requirements
- Wall Jacks' housings of high-impact, self-extinguishing plastic, rated UL 94 V-0
- Backed by a Limited Two-Year Warranty

Material Characteristics

Environmental Flammability: Meet specs for UL1863

Dimensional drawings on page T9

For more information regarding coordinating wallplates, colors, materials, single and multi-gang, refer to Wallplates, section D.

DECORA® Media System

Distribute Audio and Video signals anywhere in the home using Category 5/5e Cable and Leviton's Decora Media System (DMS). It provides transmission up to 1000 feet of cable with no audio or video distortion and better performance than more expensive specialized "designer" A/V cables.

Features & Benefits

- Send signals from VCR, DVD, cable TV, CD jukeboxes, computers, satellite and security camera signals through Category 5/5e cable
- DMS hub can be attached vertically or horizontally in Structured Media Center enclosure
- "Daisy-chain" hub units to distribute audio/video signals to over 20 locations
- Send and Receive units are equipped with RJ45 jacks and 110 punchdown blocks for maximum flexibility in installation
- RCA inputs for connectivity directly from A/V source
- Use a simple, point-to-point configuration, or an advanced network hub-style configuration
- Send and Receive units fit standard wallboxes and Decora wallplates
- Advanced circuitry with automatic equalization sends analog audio and video signals over long distances with less distortion
- Stereo audio input/output handles Dolby® ProLogic™ surround signals
- RJ-45 input from Send unit



48210-MSU
in 84401-40

48210-MSU

DECORA MEDIA SYSTEM

Description	Cat. No.
Decora Media System Media Hub with Power Supply	48210-MCH
Decora Media System Send and Receive Unit Pair with Power Supply	48210-SRU
Decora Media System Send Unit with Power Supply	48210-MSU
Decora Media System Receive Unit	48210-MRU

Note: Installation of a Structured Media Center simplifies residential networking and control of voice, data, video, stereo and lighting. The unit is compatible with Decora devices and snap-in modules. For more information on Leviton Integrated Networks products, call your Leviton sales representative.

Note: DMS is comprised of: a Send Unit for transmitting audio/video signals, a Receive Unit for receiving signals, and a Media Hub for whole-house distribution.

Application drawings on page T9.



48211-WVC
in 80301-SW

DECORA® “Composer Series” Chopin™ Digital Volume Control System

Fill your home with high-quality audio at the touch of a button. The Decora Digital Volume Control unit is easy to install in a standard wallbox. The wall unit interfaces with a control module mounted in either the Leviton Structured Media Center or other suitable location.

Features & Benefits

- Attractive Decora Chopin™ design coordinates with other wall-mounted devices and is a perfect match with Leviton’s Mural™ lighting devices
- Connects to Interface Module with a single RJ-45 connection. No direct speaker/amplifier connections required at the controller
- Digital transformer-less design requires less wallbox space and eases installation; uses aerospace-quality cermet resistors for proper heat dissipation and superior performance
- Microprocessor-controlled relays for silent switching
- Provides impedance-matching with speakers from 4-16 Ohms
- Interface module terminates all amplifier and speaker connections using high-spec audio monoblock
- Up to three volume controls can be connected to Interface Module, controlling up to 4 pairs of speakers
- 17 volume settings, 6 LED indicators and system-on LED indicator make controls easy-to-use
- Simple operation includes one-touch muting
- Fits in standard single-gang box or mounting bracket

CHOPIN™ DECORA DIGITAL VOLUME CONTROL SYSTEM

Description	Cat. No.	Color
Decora Digital Volume Control Kit (Includes Interface Module and Wall Unit with Power Supply)	48211-WVK	White
Decora Digital Control Wall Unit	48211-WVC	White

Note: Installation of a Structured Media Center simplifies residential networking and control of voice, data, video, stereo and lighting. The unit is compatible with Decora devices and snap-in modules. For more information on Leviton Integrated Networks products, call your Leviton sales representative.

Application drawings on page T9.



DECORA® “Composer Series” Analog Audio Controls and Spec Grade™ Sound System Audio Volume Control

Features & Benefits

Brahms™ Stereo Volume Control—75-Watt Music Power

- The 75-Watt (25-Watts RMS) volume control is ideal for low to moderate power installations in the home or office. All units accommodate 4, 8 or 16 Ohm speakers and amplifiers up to 75 Watts. All controls facilitate impedance matching

Strauss™ Decora Stereo Volume Control—216-Watt Music Power

- The 216-Watt Audio (72-Watt RMS) volume control is ideal for higher power installations in the home or office. All units accommodate 4, 8 or 16 Ohm speakers and amplifier systems rated up to 216 Watts. All controls facilitate impedance matching

Decora® Strauss™ Transformer-Free™ Volume Control—200-Watt Music Power

- The 200-Watt Audio (100-Watt RMS) volume control transistor-free design replaces conventional autoformer-based volume controls that can contribute to signal degradation in sound quality and is ruler-flat across the entire audio spectrum. It accommodates 2-16 Ohm speakers and handles the full peak output power of any consumer-grade amplifier

BRAHMS™ DECORA STEREO VOLUME CONTROL—75-WATT, 25-WATT RMS

Boxed Unit Pack, Rack Pack Carton

Description	Cat. No.	Color
Decora Stereo Volume Control with insert, knob and plate. Controls stereo volume from wall-mounted location	40841-DW	White

STRAUSS™ DECORA STEREO VOLUME CONTROL—216-WATT, 72-WATT RMS

Boxed Unit Pack, Rack Pack Carton

Description	Cat. No.	Color
Decora Stereo Volume Control with ON/OFF switch, includes insert, knob and plate. Controls stereo volume from wall-mounted location	40888-72W	White

STRAUSS™ DECORA TRANSFORMER-FREE VOLUME CONTROL—200-WATT, 100-WATT RMS

Description	Cat. No.	Color
Decora Strauss Transformer-Free Slide Volume Control, with 12 positions including fully-OFF	SGVST-00W	White
Color Change Kit converts to Ivory or Almond	SGVCK-IA	Ivory + Almond

Decora® Home Controls (DHC) provides the affordable luxury of home lighting and appliance control. You sit back and relax, while DHC devices work for you, increasing security and offering greater comfort and convenience. DHC devices install easily and operate on existing home wiring. Leviton's enhanced offering of DHC devices features controllers and receivers with Scene Lighting Control capability for coordinated, multi-location lighting schemes, all wrapped in beautiful Decora styling. DHC—the smartest choice in lighting controls for today's living. For additional information on DHC products, visit www.leviton.com/dhc



Decora Home Controls





Wall Mounted Switch Controllers with Intellisense



HXC1D-1TW
in 80301-SW

HXC7S-1TW
in 80301-SW

Features & Benefits

All Controllers

- Fit in standard wallboxes to provide remote ON/OFF switching, dimming and Scene Lighting Control
- Features Leviton's Intellisense (gated automatic gain control) that adjusts receiver sensitivity to help eliminate signal problems due to line noise
- Features easy One-Button Programming, eliminating the need for address wheels. Using the Receiver's program mode, send an "ON" command from any DHC Controller and the Receiver will capture and retain the address
- Devices with -1TW suffix feature 2-Way Communication, allowing the user to identify the correct load status on remote receivers; and receive acknowledgement of commands sent to a dimmer or switch from a compatible remote device

- Use existing 60Hz 120V AC house wiring to add multi-location switching without complicated and costly conventional wiring means
- Maximum of 4 Controllers should be installed on a single branch circuit
- Green LED illuminates to confirm ON command sent
- Devices ship in White only. See chart for Color Change Face Kits (must be purchased separately)

Scene Capable Controller (Cat. No. HXC7S-1TW)

- Easily programmed by holding down desired scene button until flashing LED programming mode begins, setting all Scene Capable Switch Receivers to desired levels and pressing the previously selected scene button again to end programming
- Customized lettering for each scene button available (maximum of 8 characters and spaces). Contact Leviton for ordering information

Testing & Code Compliance

- UL Listed (File #E-66800)
- CSA Certified (File #LR-54628)
- UL 244A Tested (and others where appropriate)
- Backed by a Limited Two-Year Warranty

Material Characteristics

Environmental: Flammability (Engineering Grade Polymer) UL-94, V2 Rating
Operating Temperature: -40°C to 120°C

Color

All devices are shipped in white only. See chart for compatible Color Change Kits.

Dimensional drawings on page T9.

For more information regarding coordinating wallplates, colors, materials, single and multi-gang, refer to Wallplates, section D.

Note: A Cat. No. HCA02-10E Amplifier Module should be installed in every panel of a DHC installation to ensure adequate signal strength.

† Also available with printable labels--add letter "C" to suffix before color letter (for example, -0C1, -0CW, -0CA, etc.).

DHC WALL MOUNTED SWITCH CONTROLLERS



Description	Cat. No.
One-Address ON/OFF Controller —One ON/OFF rocker transmits ON/OFF commands to one address. Illuminated green LED at bottom of face indicates unit is On.	HXC10-1TW
ALL LIGHTS ON/ALL OFF Controller —One ALL LIGHTS ON/ALL OFF rocker transmits commands to all receivers set to the same letter code as this transmitter. Provides "Panic Button" lighting control for safety and security. Illuminated green LED at bottom of face indicates unit is On. Note: Receptacle Receivers will not respond to ALL ON command.	HXC1A-1TW
One-Address Dimming Controller —One ON/OFF rocker transmits ON/OFF commands to one address in the same letter code group as this transmitter switch while the built-in arrow-shaped rocker transmits BRIGHT/DIM commands to that same address. Illuminated green LED at bottom of face indicates unit is On.	HXC1D-1TW
Two-Address Dimming Controller —Two sets of ON/OFF buttons transmit ON/OFF commands to two sequential addresses in the same letter code group as this controller. One set of GROUP BRIGHT/DIM buttons transmits GROUP BRIGHT/DIM commands to the most recently selected address.	HXC2D-1TW
Three-Address Dimming Controller —Three sets of ON/OFF buttons transmit ON/OFF commands to three sequential addresses in the same letter code group as this controller. One set of GROUP BRIGHT/DIM buttons transmits GROUP BRIGHT/DIM commands to the most recently selected address.	HXC3D-1TW
Four-Address Dimming Controller —Four sets of ON/OFF buttons transmit ON/OFF commands to four sequential addresses in the same letter code group as this controller. One set of GROUP BRIGHT/DIM buttons transmits GROUP BRIGHT/DIM commands to the most recently selected address.	HXC4D-1TW
Three-Address Dimming, All LIGHTS ON/ALL OFF Controller —Three sets of ON/OFF buttons transmit ON/OFF commands to three sequential addresses in the same letter code group as this controller. One set of GROUP BRIGHT/DIM buttons transmits GROUP BRIGHT/DIM commands to the most recently selected address. One set of ALL LIGHTS ON/ALL OFF buttons transmits commands to all receivers set to the same letter code as this transmitter.	HXC4A-1TW
Seven-Scene Dimming Controller —Each of seven SCENE buttons transmits ON commands to preset levels to twelve sequential addresses in the same letter code group as this controller. (Note: 12-address sequence continues at address 1 if address 16 is reached before all 12 sequential addresses are completed.) Only Scene Capable Receivers can be used with this controller. One set of SCENE BRIGHT/DIM buttons transmits SCENE BRIGHT/DIM commands to the most recently selected scene. One OFF button transmits OFF command to the most recently selected scene.	HXC7S-1TW

COLOR CHANGE KITS

For Controllers:	Color Change Kit w/Cat. No.				
	White	Ivory	Almond	Gray	Black
HXC10-1TW, HXC1A-1TW	DRK0S-0LW	DRK0S-0LI	DRK0S-0LA	DRK0S-0LG	DRK0S-0LE
HXC1D-1TW	DRK1D-00W	DRK1D-00I	DRK1D-00A	—	—
HXC2D-1TW†	DCK2D-00W	DCK2D-00I	DCK2D-00A	—	—
HXC3D-1TW†	DCK3D-00W	DCK3D-00I	DCK3D-00A	—	—
HXC4A-1TW†	DCK4A-00W	DCK4A-00I	DCK4A-00A	—	—
HXC4D-1TW†	DCK4D-00W	DCK4D-00I	DCK4D-00A	—	—
HXC7S-1TW†	DCKS7S-00W	DCKS7-00I	DCKS7-00A	DCKS7-0CG	DCKS7-0CE



HCM06-1SW
HCM10-1SW
in 80301-SW



600 and 1000 Watt Scene-Capable Dimming Wall Switch Receivers

Features & Benefits

- Fit in standard wall boxes and replace regular switches to provide manual and remote ON/OFF switching, full range dimming and Scene Lighting Control
- Preset feature turns lights ON at last selected brightness level; eliminates the need to readjust settings each time dimmer is switched ON
- Soft ON/Fade OFF feature for smooth increasing and lowering of brightness levels; extended bulb life
- Protected memory maintains light levels during minor power fluctuations
- Features Leviton's Intellisense (gated automatic gain control) that adjusts receiver sensitivity to help eliminate signal problems due to line noise
- Intellisense makes installations more profitable by eliminating time-wasting call-backs and increasing customer satisfaction
- Modules are backward compatible with 16400/450-S and 16400/450-SD DHC Scene Controllers
- Double tap to top of rocker switch brings light to full output without affecting preset levels
- Can be used for single-pole as well as three-way applications, reducing inventory needs
- True Decora-style operation — push top of rocker to brighten; bottom to dim
- Provide Scene Control capability when used with DHC Scene Controller HXC7S-1TW
- Packed with Ivory and White Snap-On Color Change Kit; optional Color Change Kits sold separately

Testing & Code Compliance

- UL Listed (File #E-31373)
- CSA Certified (File #LR-3413)
- NOM Certified #057
- Backed by a Limited Two-Year Warranty

Material Characteristics

Environmental: Flammability (Engineering Grade Polymer) UL-94, V2 Rating
Operating Temperature: -40°C to 120°C

Color

Colors available as indicated. See chart for compatible Color Change Kits.

Special Note:

As with any dimmer, derating for multiple gang installations is required.

Dimensional drawings on page T9.

Note: A Cat. No. HCA02-10E Amplifier Module should be installed in every panel of a DHC installation to ensure adequate signal strength.

DHC POWERLINE CARRIER RECEIVERS

Description	Cat. No.	Rating	Color
DHC 600 Watt Single-Pole or 3-Way Scene-Capable Dimming Wall Switch Receiver	HCM06-1SW	600W, 120V AC Incandescent, 600VA (450W) Magnetic Low-Voltage Lighting	White, Ivory Color Change Kit included
DHC 1000 Watt Single-Pole or 3-Way Scene-Capable Dimming Wall Switch Receiver	HCM10-1SW	1000W, 120V AC Incandescent, 1000VA (750W) Magnetic Low-Voltage Lighting	White, Ivory Color Change Kit included

COLOR CHANGE KITS FOR HCM06-1SW AND HCM10-1SW

Color w/Cat. No.				
Ivory	White	Almond	Gray	Black
DRKOD-1LI	DRKOD-1LW	DRKOD-1LA	DRKOD-1LG	DRKOD-1LE



HXS08-1TW
in 80301-SW



8 Amp and 10 Amp Scene-Capable Wall Switch Receivers with One-Button Programming

Features & Benefits

- One-Button programming through address capturing for easier programming
- Fit in standard wall boxes and replace regular switches to provide manual and remote ON/OFF switching and Scene Lighting Control
- Features Leviton's Intellisense (gated automatic gain control) that adjusts receiver sensitivity to help eliminate signal problems due to line noise
- Increases customer satisfaction and makes Intellisense installations more profitable by eliminating time-wasting call-backs
- Modules are backward compatible with 16400/450-S and 16400/450-SD DHC Scene Controllers
- HCS10-1SW can be used for single-pole as well as three-way applications, reducing inventory needs
- HXS08-1TW features 2-Way status reporting to status-tracking-capable controllers and programmers that register status changes when manually changed locally (Example: DHC Toscana Deluxe Programmer)
- True Decora-style operation — push top of rocker to turn ON and bottom to turn OFF
- Provide Scene Control capability when used with DHC Scene Controller HXC7S-1TW
- Packed with Ivory and White Snap-On Color Change Kit; optional Color Change Kits sold separately

DHC POWERLINE CARRIER RECEIVERS

Description	Cat. No.	Rating	Color
DHC 10 Amp Single-Pole or 3-Way Scene-Capable Switch Receiver (non-dimming). Features One-Button Programming	HCS10-1SW	10 Amp, 120V AC 60Hz, 1200W Incandescent, 1200VA Fluorescent and Magnetic Low-Voltage	White, Ivory Color Change Kit included
1000W/1000VA 8 AMP Scene-Capable Electronic Switch Receiver (non-dimming) with One-Button Programming and 2-Way Communication. Neutral connection required	HXS08-1TW	8 AMP, 120V AC 1000W Incandescent, 1000VA (750W) Fluorescent and Magnetic Low-Voltage Lighting	White, Ivory Color Change Kit included

Testing & Code Compliance

- UL Listed (File #66800)
- CUL/US Certified
- NOM Certified #057
- Backed by a Limited Two-Year Warranty

Material Characteristics

Environmental: Flammability (Engineering Grade Polymer) UL-94, V2 Rating
Operating Temperature: -40°C to 120°C

Color

Colors available as indicated. See chart for compatible Color Change Kits.

Dimensional drawings on page T9.

For more information regarding coordinating wallplates, colors, materials, single and multi-gang, refer to Wallplates, section D.

COLOR CHANGE KITS FOR HCS10-1SW AND HXS08-1TW

For Receivers	Color Change Kit w/Cat. No.				
	Ivory	White	Almond	Gray	Black
HCS10-1SW	DRK0S-0LI	DRK0S-0LW	DRK0S-0LA	DRK0S-0LG	DRK0S-0LE
HXS08-1TW	DRK0D-1LI	DRK0D-1LW	DRK0D-1LA	DRK0D-1LG	DRK0D-1LE

Note: A Cat. No. HCA02-10E Amplifier Module should be installed in every panel of a DHC installation to ensure adequate signal strength.



HCM06-1DW
HCM10-1DW
in 80301-SW



600 and 1000 Watt Scene-Capable Dimming Wall Switch Receivers with One-Button Programming

Features & Benefits

- One-Button programming through address capturing for easier programming
- Fit in standard wall boxes and replace regular switches to provide manual and remote ON/OFF switching, full range dimming and Scene Lighting Control
- Preset feature turns lights ON at last selected brightness level; eliminates the need to readjust settings each time dimmer is switched ON
- Features Leviton's Intellisense technology (gated automatic gain control) that adjusts receiver sensitivity to help eliminate signal problems due to line noise
- Soft ON/Fade OFF feature for smooth increasing and lowering of brightness levels; extended bulb life
- Protected memory maintains light levels during minor power fluctuations
- Modules are backward compatible with 16400/450-S and 16400/450-SD DHC Scene Controllers
- Square green LED display alongside rocker indicates selected brightness level
- Locator LED illuminates when lights are OFF
- Double tap to top of rocker switch brings light to full output without affecting preset levels
- Neutral connection is required
- True Decora-style operation – push top of rocker to brighten; bottom to dim
- Provide Scene Control capability when used with DHC Scene Controller HXC7S-1TW
- Provide multi-station manual and remote ON/OFF switching and full range dimming when used with Cat. No. MS00R-1 Multi-Remote Unit
- Packed with Ivory and White Snap-On Color Change Kit; Optional Color Change Kits sold separately

Testing & Code Compliance

- UL Listed (File #E-31373)
- CSA Certified (File #LR-3413)
- NOM Certified #057
- Backed by a Limited Two-Year Warranty

Material Characteristics

Environmental: Flammability (Engineering Grade Polymer) UL-94, V2 Rating
Operating Temperature: -40°C to 120°C

Color

Colors available as indicated. See chart for compatible Color Change Kits.

Special Note:

As with any dimmer, derating for multiple gang installations is required.

Dimensional drawings on page T9.

Note: A Cat. No. HCA02-10E Amplifier Module should be installed in every panel of a DHC installation to ensure adequate signal strength.

Use with Leviton Power Extenders to extend 120V load capacity for incandescent, electronic and magnetic low-voltage and fluorescent dimming. See your Leviton representative for more information.

DHC POWERLINE CARRIER RECEIVERS



Description	Cat. No.	Rating	Color
DHC 600 Watt Single-Pole or 3-Way Scene-Capable Dimming Wall Switch Receiver with LED Locator and Brightness Display. Features One-Button Programming	HCM06-1DW	600W, 120V AC Incandescent, 600VA (450V) Magnetic Low-Voltage	White, Ivory Color Change Kit included
DHC 1000 Watt Single-Pole or 3-Way Scene-Capable Dimming Wall Switch Receiver with LED Locator and Brightness Display. Features One-Button Programming	HCM10-1DW	1000W, 120V AC Incandescent, 1000VA (750V) Magnetic Low-Voltage	White, Ivory Color Change Kit included

COLOR CHANGE KITS FOR HCM06-1DW AND HCM10-1DW

Color w/Cat. No.				
Ivory	White	Almond	Gray	Black
DRKDD-1LI	DRKDD-1LW	DRKDD-1LA	DRKDD-1LG	DRKDD-1LE

For answers to technical questions,
call Leviton's Techline at 1-800-824-3005





HXM06-1TW
HXM10-1TW
in 80301-SW



600 and 1000 Watt Scene-Capable Dimming Wall Switch Receiver with One-Button Programming and 2-Way Communication

Features & Benefits

- One-Button programming through address capturing for easier programming
- Two-Way status reporting to status-tracking-capable controllers and programmers register status changes when manually changed locally (Example: DHC Toscana Programmer)
- Fit in standard wall boxes and replace regular switches to provide manual and remote ON/OFF switching, full range dimming and Scene Lighting Control
- Preset feature turns lights ON at last selected brightness level; eliminates the need to readjust settings each time dimmer is switched ON
- Features Leviton's Intellisense technology (gated automatic gain control) that adjusts receiver sensitivity to help eliminate signal problems due to line noise
- Soft ON/Fade OFF feature for smooth increasing and lowering of brightness levels; extended bulb life
- Protected memory maintains light levels during minor power fluctuations
- Modules are backward compatible with 16400/450-S and 16400/450-SD DHC Scene Controllers
- Square green LED display alongside rocker indicates selected brightness level
- Locator LED illuminates when lights are OFF
- Mutli-Location with DHC controllers
- Double tap to top of rocker switch brings light to full output without affecting preset levels
- Neutral connection required for 2-way communication
- True Decora-style operation – push top of rocker to brighten; bottom to dim
- Provide Scene Control capability when used with DHC Scene Controller HXC7S-1TW
- Packed with Ivory and White Snap-On Color Change Kits; Optional Color Change Kit sold separately

Testing & Code Compliance

- UL Listed (File #E-31373)
- CSA Certified (File #LR-3413)
- NOM Certified #057
- Backed by a Limited Two-Year Warranty

Material Characteristics

Environmental: Flammability (Engineering Grade Polymer) UL-94, V2 Rating

Operating Temperature: -40°C to 120°C

Color

Colors available as indicated. See chart for compatible Color Change Kits.

Special Note:

As with any dimmer, derating for multiple gang installations is required.

Dimensional drawings on page T9.

For more information regarding coordinating wallplates, colors, materials, single and multi-gang, refer to Wallplates, section D.

Note: A Cat. No. HCA02-10E Amplifier Module should be installed in every panel of a DHC installation to ensure adequate signal strength.

Use with Leviton Power Extenders to extend 120V load capacity for incandescent, electronic and magnetic low-voltage and fluorescent dimming. See your Leviton representative for more information.

DHC POWERLINE CARRIER RECEIVERS



Description	Cat. No.	Rating	Color
DHC 600 Watt Single-Pole Scene-Capable Dimming Wall Switch Receiver with LED Locator and Brightness Display. Features One-Button Programming and 2-Way Status Reporting	HXM06-1TW	600W, 120V AC Incandescent, 600VA (450V) Magnetic Low-Voltage	White, Ivory Color Change Kit included
DHC 1000 Watt Single-Pole Scene-Capable Dimming Wall Switch Receiver with LED Locator and Brightness Display. Features One-Button Programming and 2-Way Status Reporting	HXM10-1TW	1000W, 120V AC Incandescent, 1000VA (750V) Magnetic Low-Voltage	White, Ivory Color Change Kit included

COLOR CHANGE KITS FOR HXM06-1TW AND HXM10-1TW

Color w/Cat. No.					
Ivory	White	Almond	Gray	Black	Brown
DRKDD-1LI	DRKDD-1LW	DRKDD-1LA	DRKDD-1LG	DRKDD-1LE	DRKDD-1LB

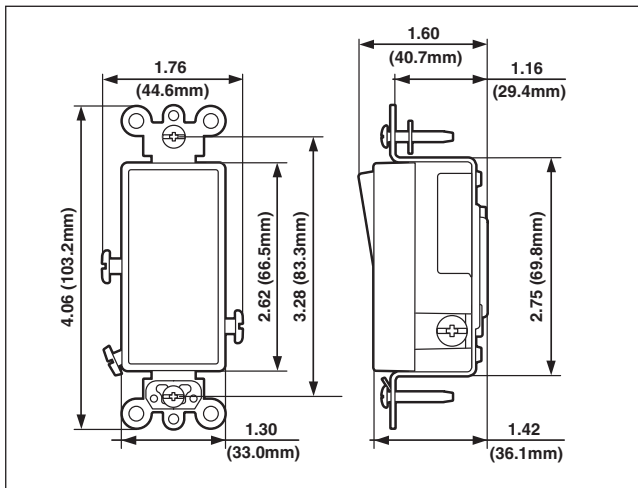
Technical–Dimensional Drawings



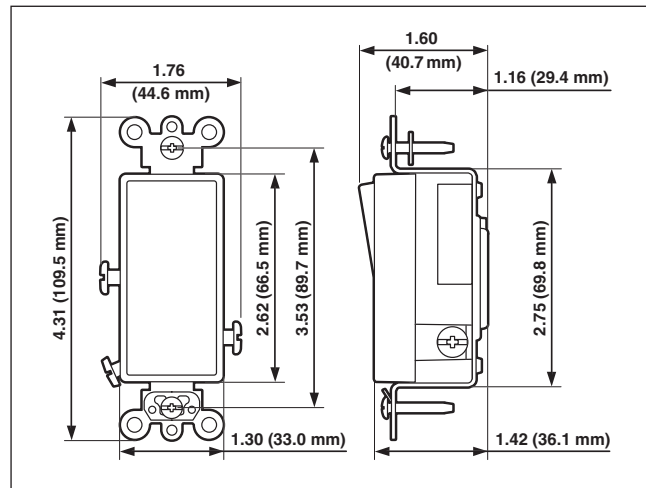
Dimensional Drawings

Dimensional Drawings for Switches, Section A

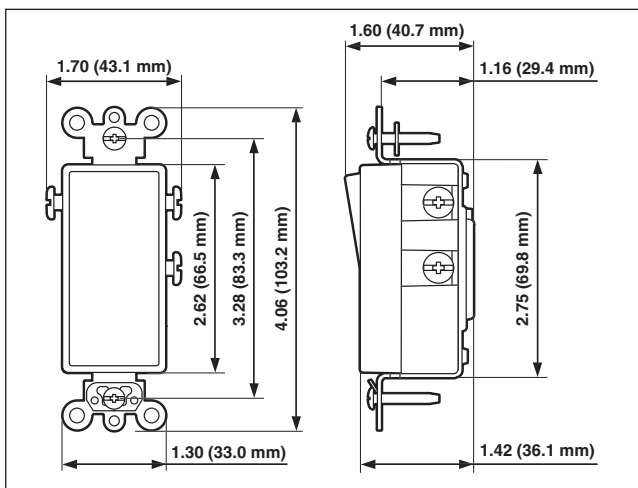
All 120/277V AC Switches on Page A2 and All 20A Switches on Page A3



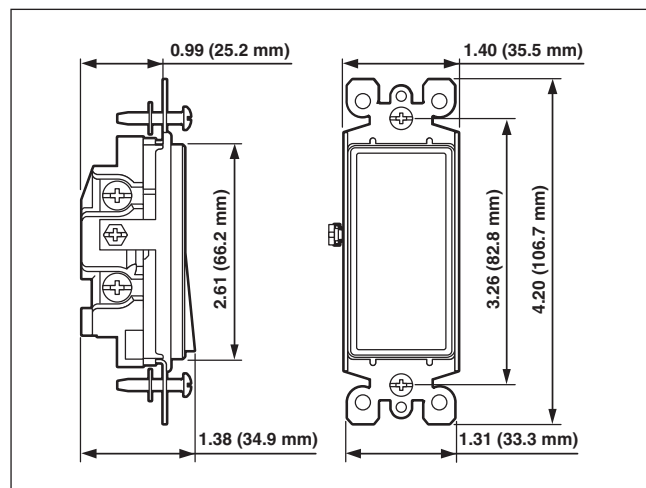
All Canadian Rocker Switches on Page A2



Cat. Nos. 5657-2 and 5685-2 on Page A3

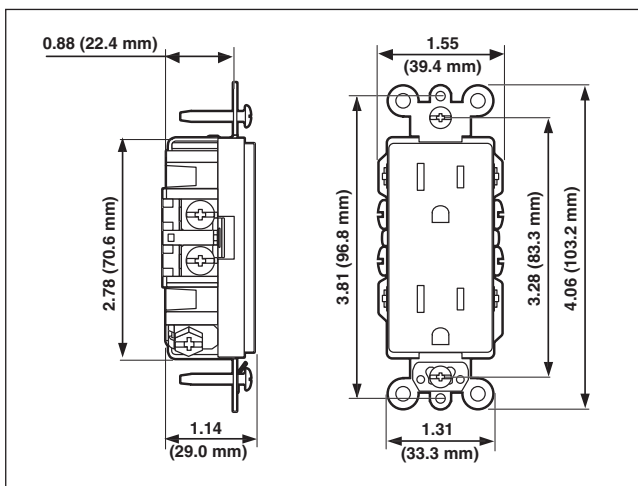


All Switches on Pages A4 and A5

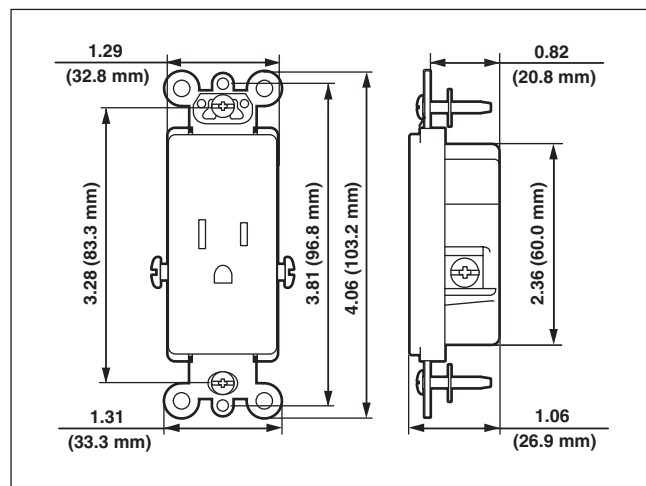


Dimensional Drawings for Receptacles/GFCIs, Section B

All Receptacles on Page B2



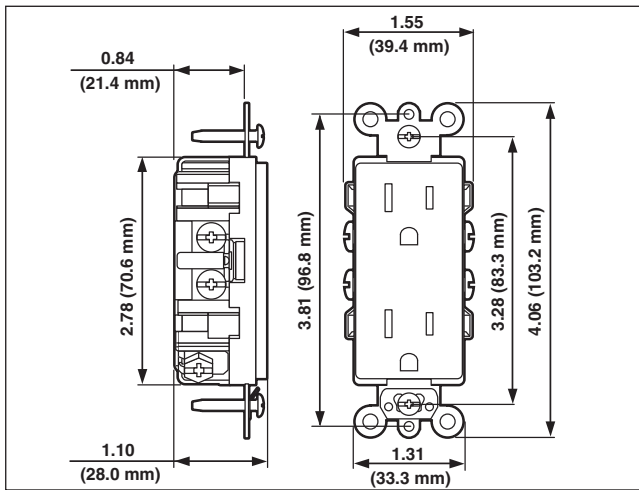
All Single Receptacles on Page B3



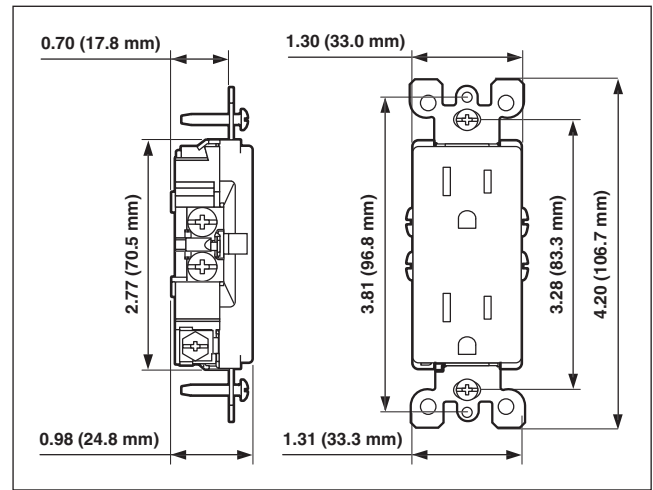
Dimensional Drawings

Dimensional Drawings for Receptacles/GFCIs, Section B

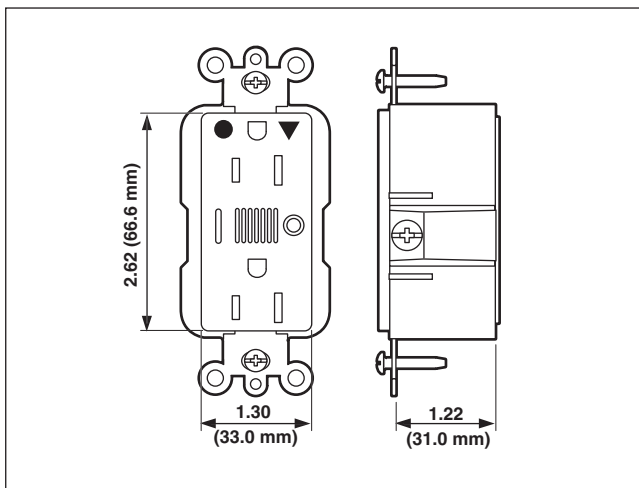
All Duplex Receptacles on Page B3



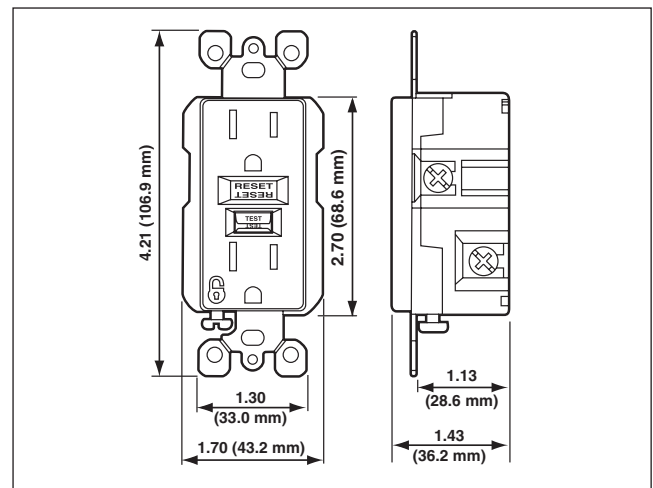
All Receptacles on Page B4



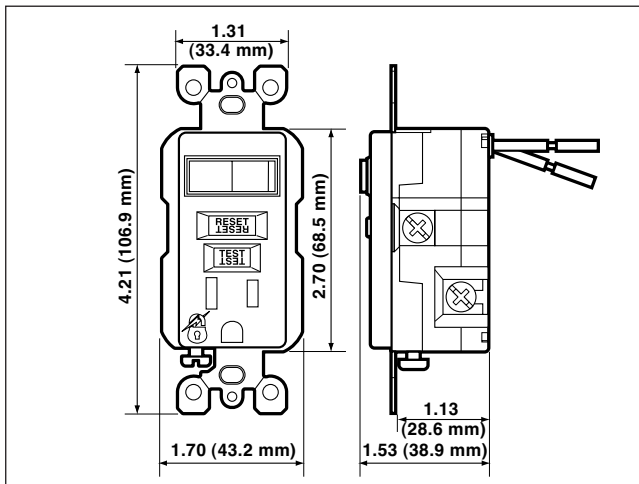
All Receptacles on Page B5



SmartLock® GFCI Receptacles on Pages B6-B7



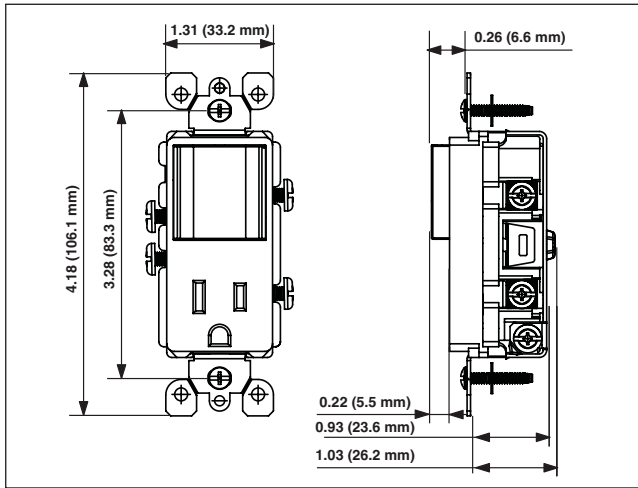
Cat. No. 8299 on Pages B7 and C3



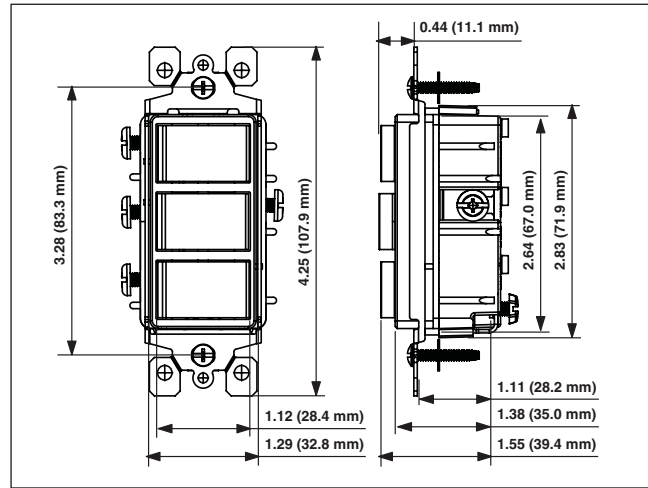
Dimensional Drawings

Dimensional Drawings for Combination Devices, Section C

All Combination Devices on Page C2



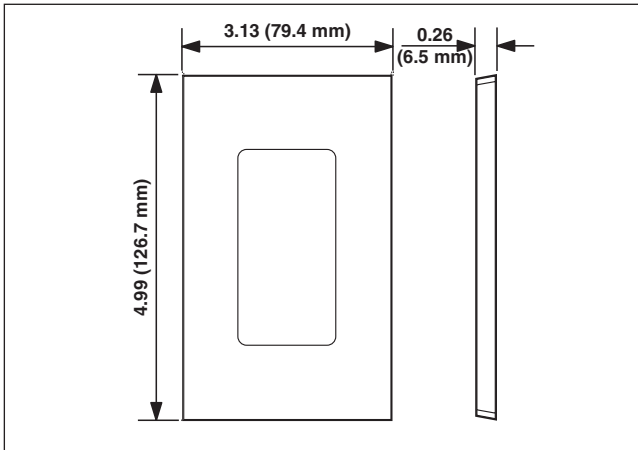
All Combination Devices on Page C3



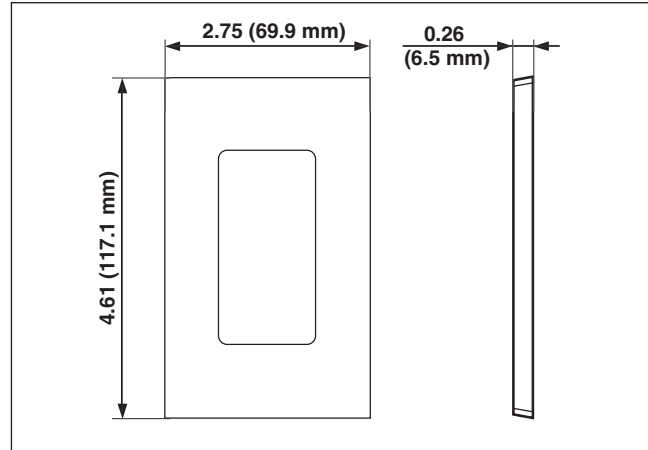
See page T3 for Cat. No. 8299 Combination Switch/GFCI Receptacle

Dimensional Drawings for Wallplates, Section D

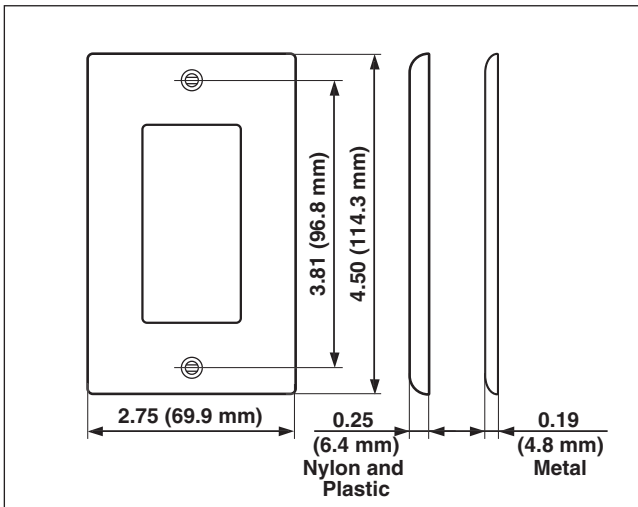
Single-Gang Midway Size Screwless Wallplates on Page D2



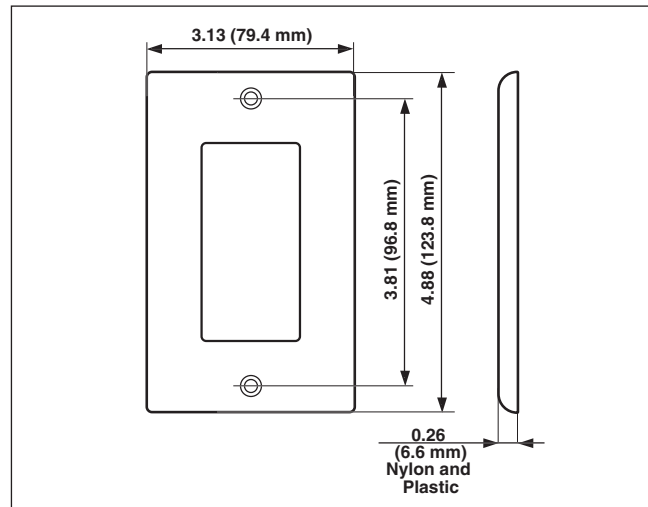
Single-Gang Standard Size Screwless Wallplates on Page D3



All Single-Gang Standard Size Wallplates on Pages D4–D5



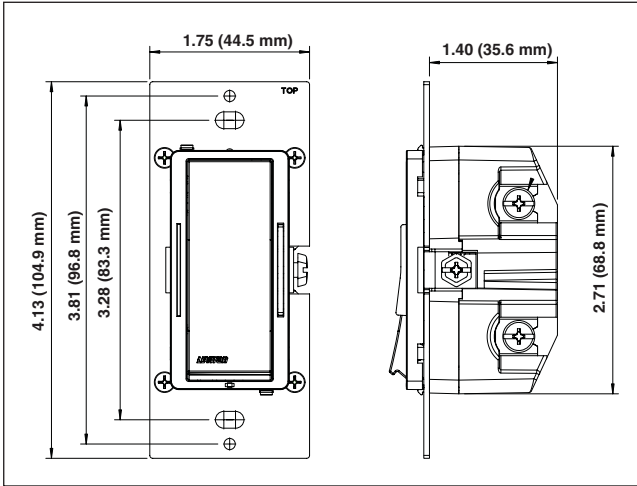
Single-Gang Midway Size Wallplates on Page D6



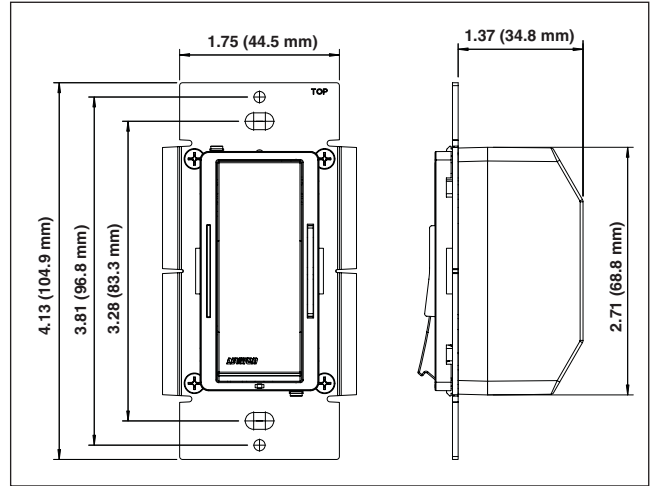
Dimensional Drawings

Dimensional Drawings for Lighting Controls, Section E

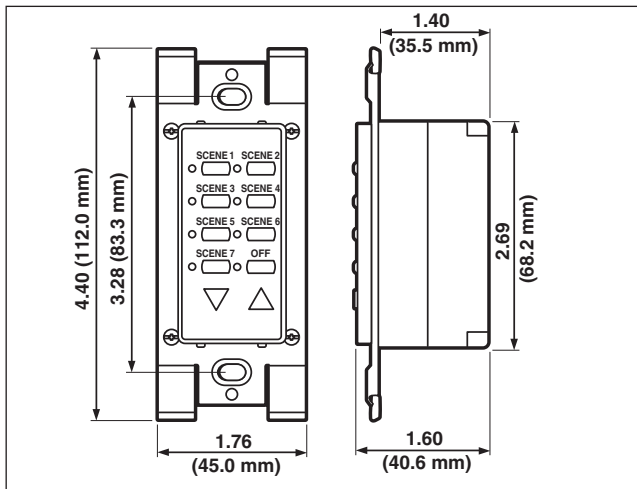
Vizia™ VZI06, VZM06, VZS15 on Page E2 and all 120 VAC Vizia Remotes on Page E3



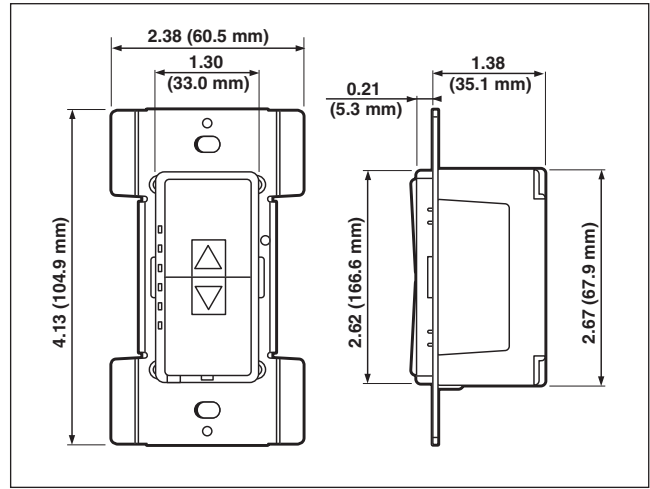
Vizia™ VZM10, VZE04, VZE06, VZH08, VZX10, VZX12-7L, VZH06-7L on Page E2, VZ00R-7L on Page E3 and VZF01 on Page E15



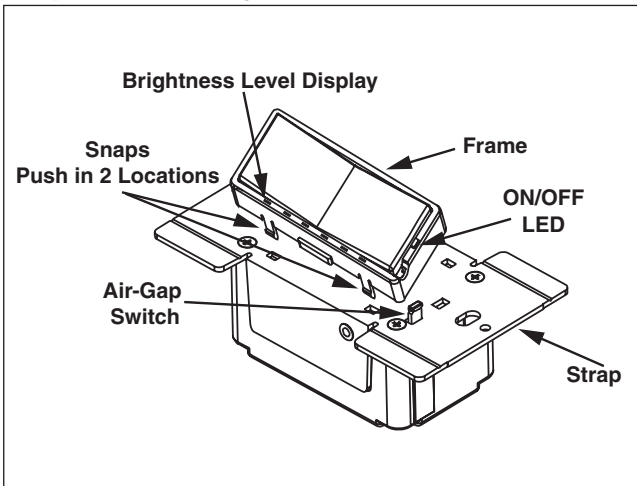
Mural Scene Controller Cat. No. MN00C-1 on Page E5



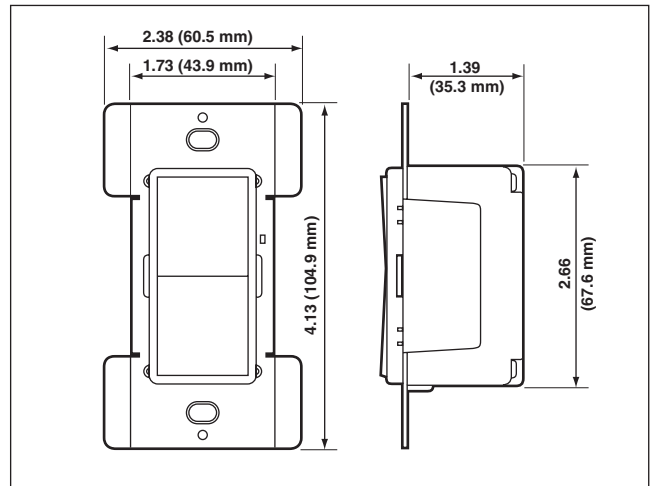
All Mural™ MC, MD and L/S Dimmers on Pages E4, E6 and E7, Fan Speed Controls on Page E15. Mural L/S shown



Color Change Kit for Mural Dimmers on Pages E4-E7, Fan Speed Controls on Page E15



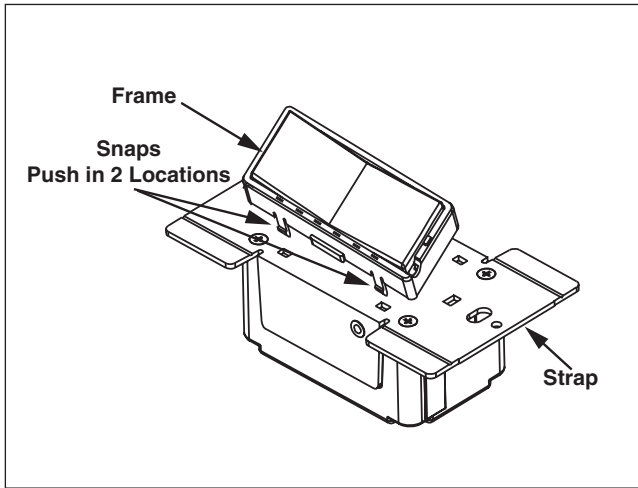
Multi-Remote Unit Cat. No. MS00R on Pages E6-E8 and E15



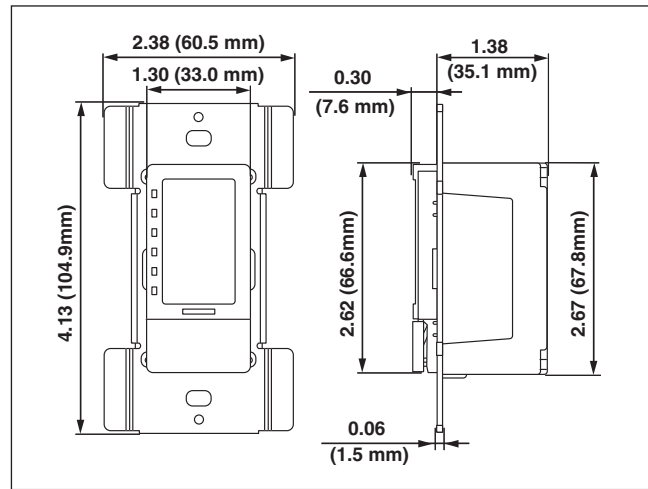
Dimensional Drawings

Dimensional Drawings for Lighting Controls, Section E

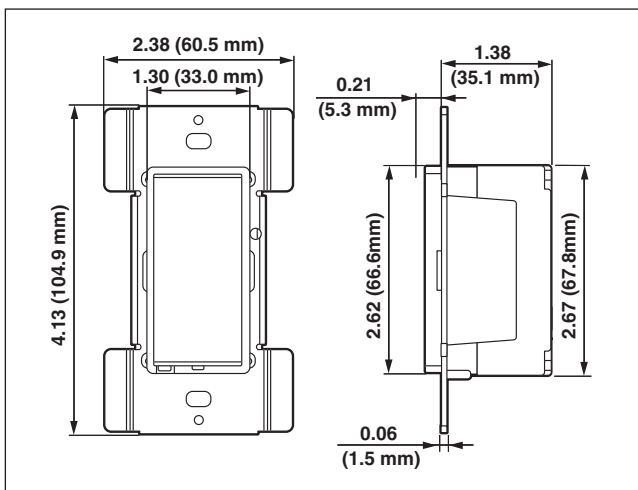
Color Change Kit for Multi-Remote on Pages E6-E8 and E15



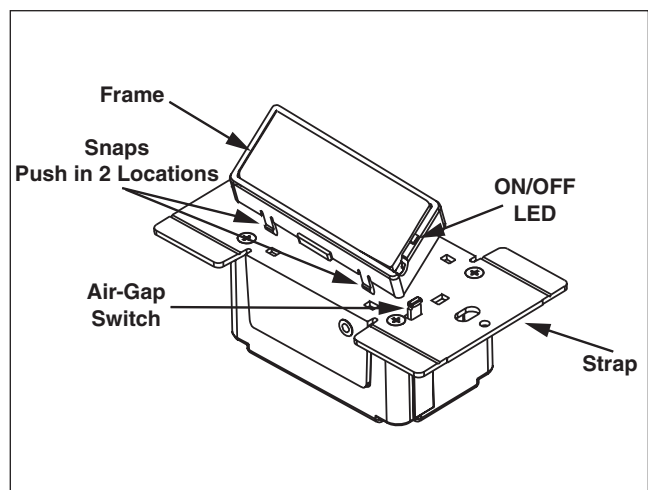
All TouchPoint Dimmers on Page E8



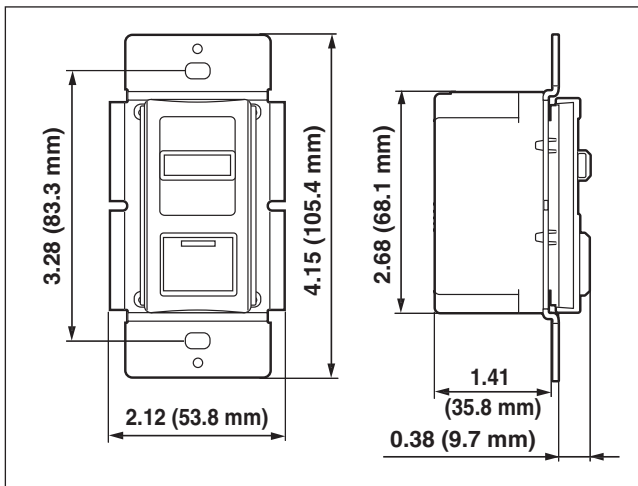
All True Touch Devices on Page E9



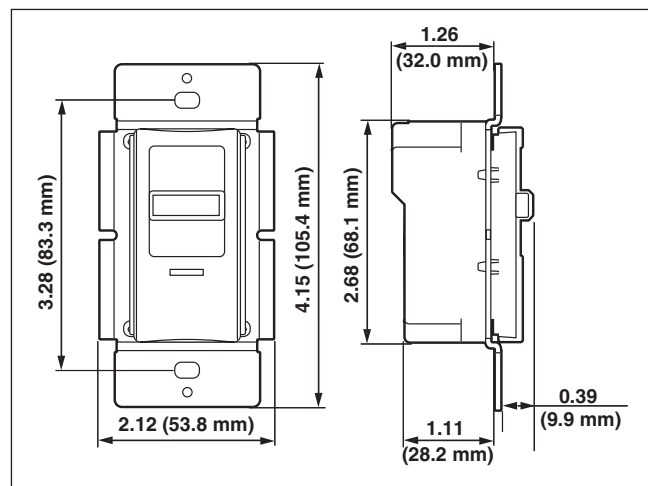
Color Change Kit for True Touch on Page E9



All IllumaTech Preset Models on Pages E10 and E14



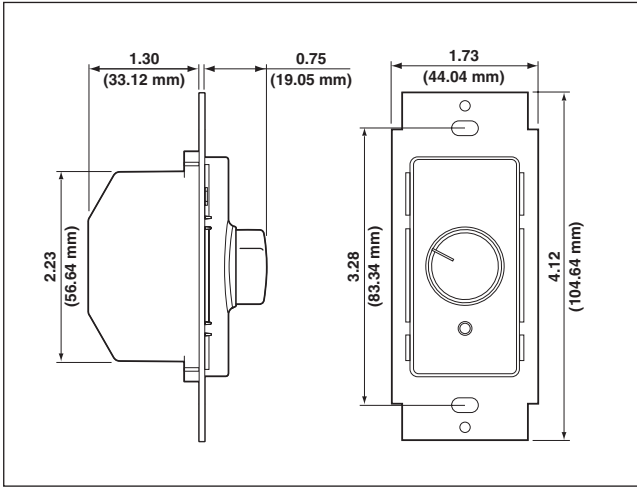
All IllumaTech Slide-To-Off Models on Pages E11 and E14



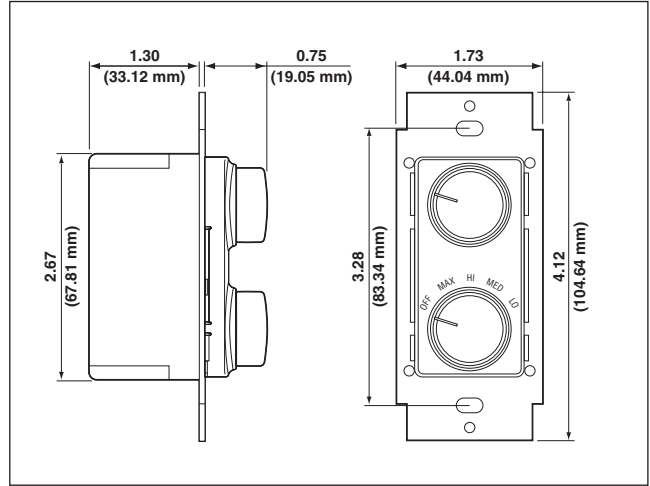
Dimensional Drawings

Dimensional Drawings for Lighting Controls, Section E

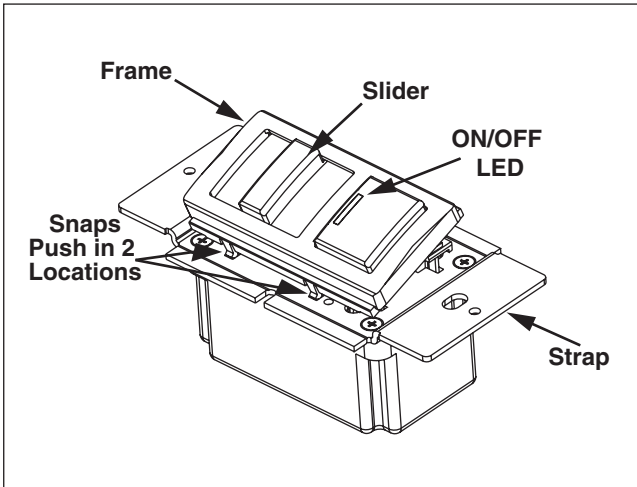
All IllumaTech Rotary Models on Page E11 and E15



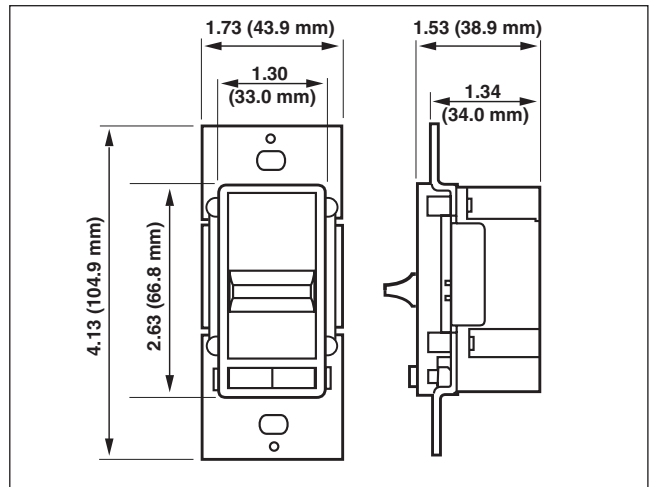
All IllumaTech Dual Controls on Page E15



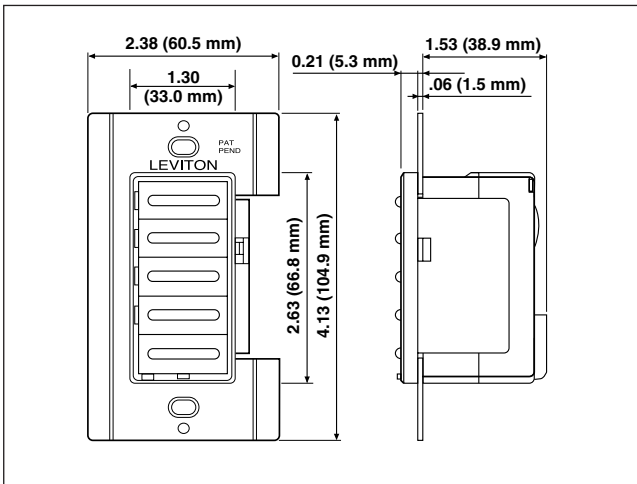
Color Change Kit for IllumaTech Slide Controls on Pages E10-E11 and E14 (Preset Kit Shown)



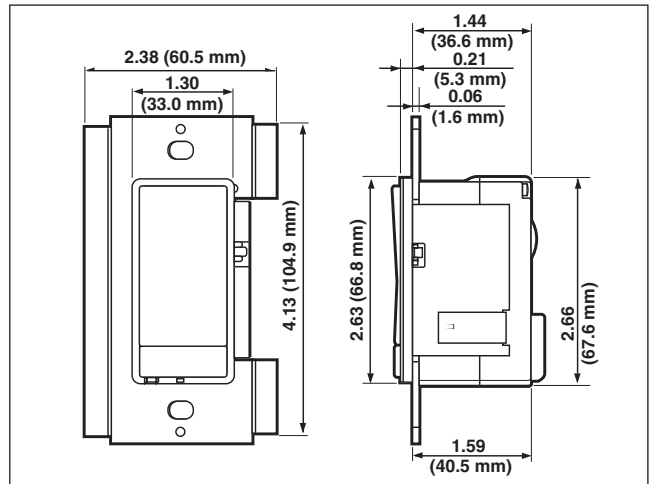
All SureSlide Models on Pages E12 and E16



Four-Level Step Dimmer Cat. No. 6161 on Page E13



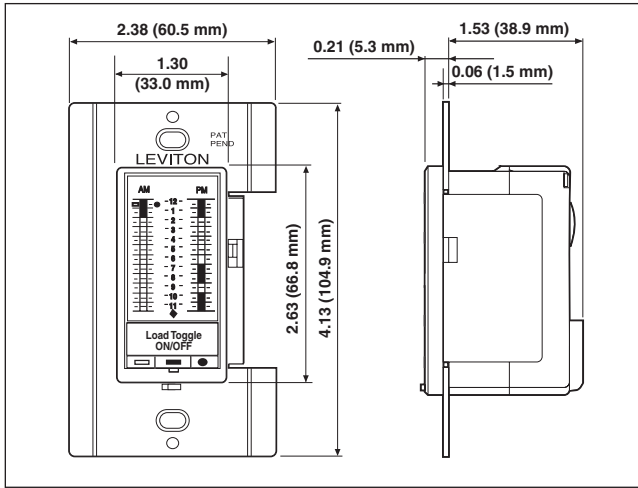
911 Switch on Page E13



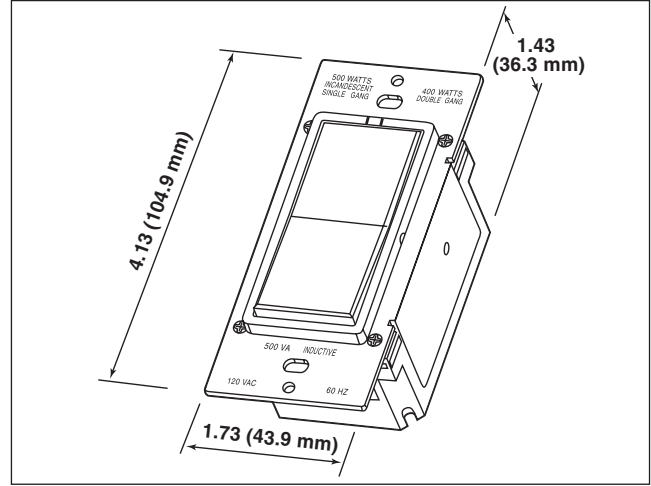
Dimensional Drawings

Dimensional Drawings for Lighting Controls, Section E

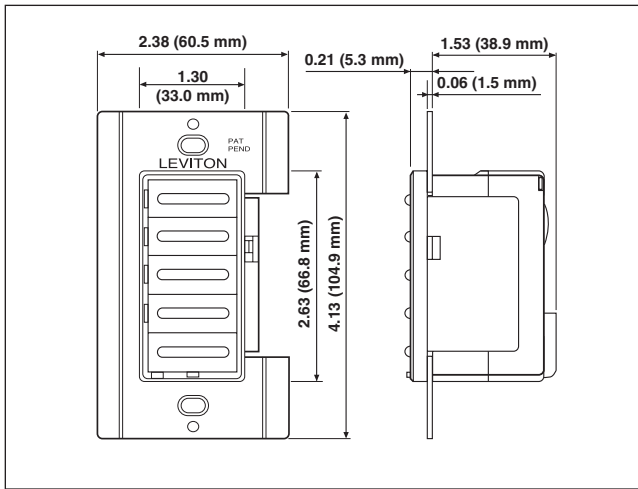
Programmable Electronic Timer Switch Cat. No 6124H on Page E17



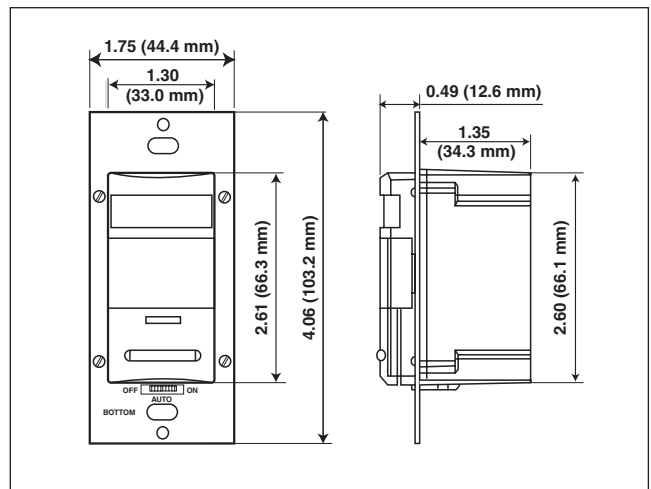
Programmable Electronic Timer Switch and Variable Countdown Timer Cat. Nos. 6651 and 6652 on Page E17



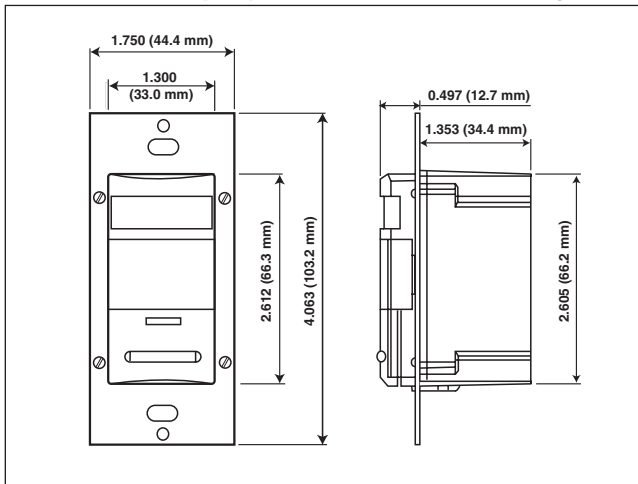
All Five-Button Electronic Timer Switches on Page E18



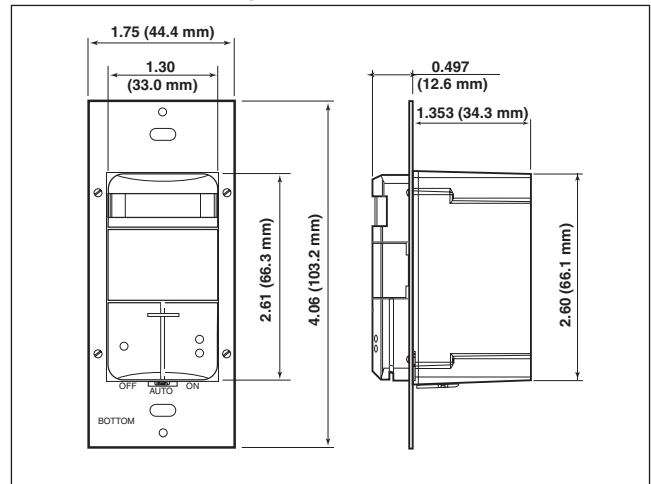
Wall Switch PIR Occupancy Sensor Cat. No. ODS15-ID on Page E19



Wall Switch PIR Occupancy Sensor Cat. No. ODS10-ID on Page E19 and Manual-On Occupancy Sensor Cat. No. IPP10-1L on Page E20



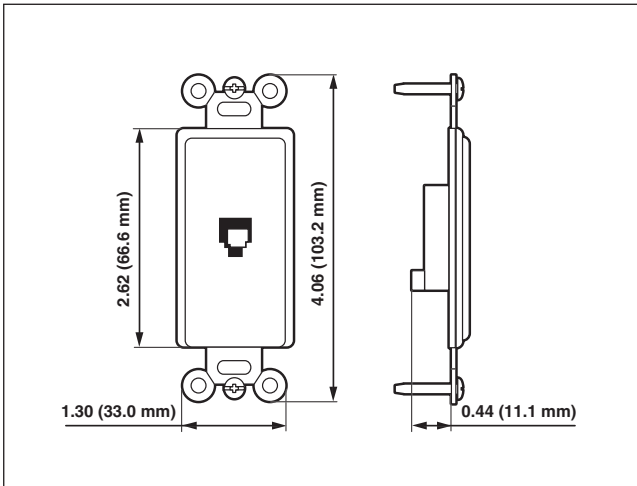
Dual-Relay Wall Switch PIR Occupancy Sensor Cat. No. ODS0D-ID on Page E19



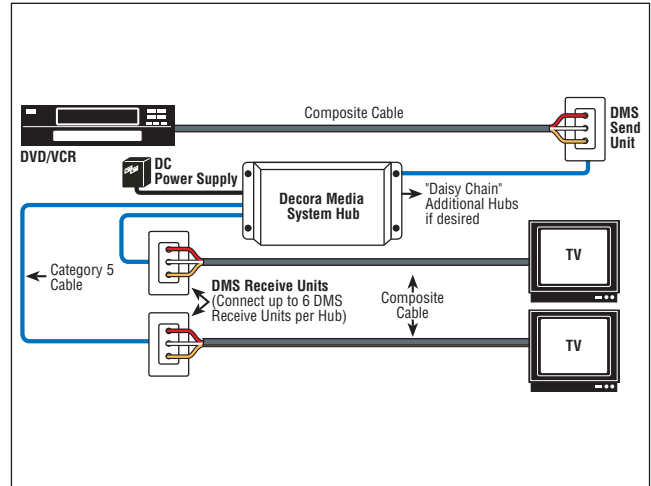
Dimensional Drawings

Dimensional and Application Drawings for Voice, Data, Video and Audio Devices, Section F

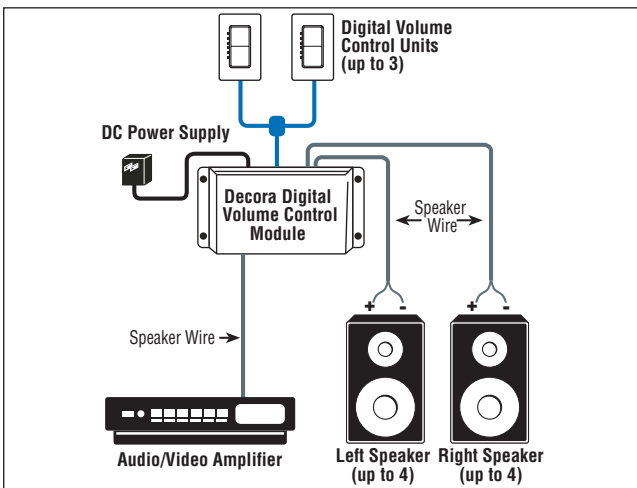
All Type 625 Wall Jacks on Page F4



Media System Cat. No. 48210 on Page F5

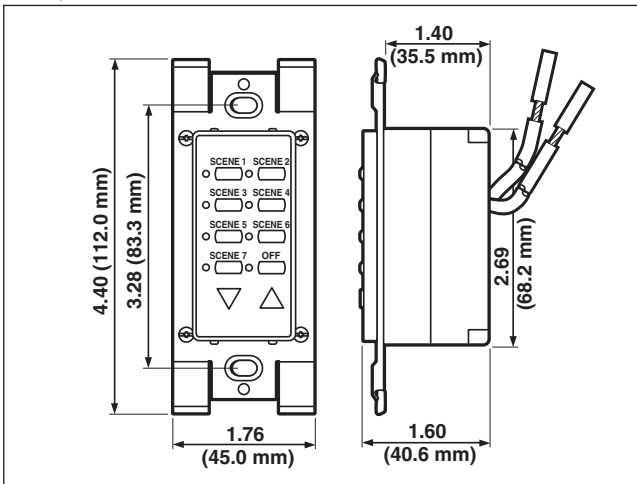


Volume Control System Cat. No. 48211 on Page F6

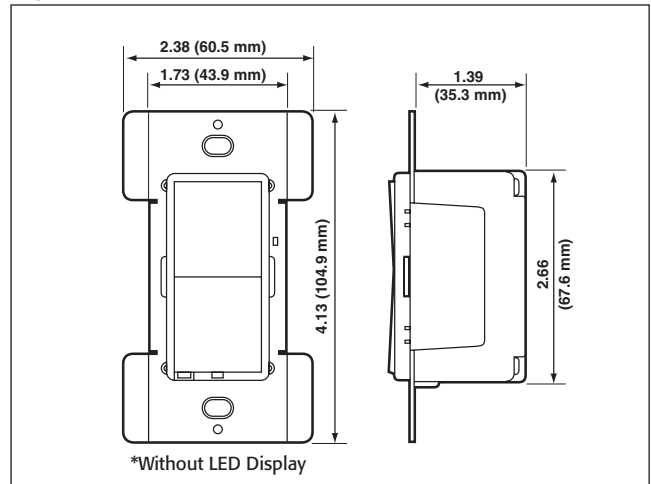


Dimensional Drawings for Decora Home Controls, Section G

All DHC 2-Address, 3-Address, 4-Address and 7-Scene Controllers on Page G2, Cat. No. HXC7S-1TW Shown



All DHC 1-Address Controllers on Page G2. All DHC Receivers on Pages G3-G6, Cat. Nos. HCM10 and HCM06 Shown*



Catalog Number Index

Cat. No.	Page No.	Cat. No.	Page No.	Cat. No.	Page No.	Cat. No.	Page No.
D0301	.D3	INQFK	.E14	SGVCK	.F7	1755-2	.C3
D0309	.D3	IP710	.E10	SGVST	.F7	1759	.C3
D0311	.D3	IPE04	.E10	SJ26-S	.D2	5280	.B5
D0312	.D3	IPF01	.E14	SJ262-S	.D2	5280-IG	.B5
D5325	.B4	IPF05	.E14	SJ263-S	.D2	5325	.B4
D5691	.A2	IPI06	.E10	SJ264-S	.D2	5325-S	.B4
D5693	.A2	IPI10	.E10	SJ265-S	.D2	5328	.B4
D8599	.B6	IPKIT	.E10, E14	SJ266-S	.D2	5380	.B5
DCK2D	.G2	IPM06	.E10	TPI06-1L	.E8	5380-IG	.B5
DCK3D	.G2	IPM10	.E10	TPI10-1L	.E8	5601	.A4
DCK4A	.G2	IPP10-1L	.E20	TPM06-1L	.E8	5601-2	.A4
DCK4D	.G2	IPQFK	.E14	TPM10-1L	.E8	5601-S2	.A4
DCKS7	.E5, G2	IPX06	.E10	TPX06-1L	.E8	5601-X2	.A5
DCKS7-C	.E5	IPX10	.E10	TPX10-1L	.E8	5601-Z2	.A5
DLKDD-1L	.E6, E15	IPX12	.E10	TT00R	.E9	5602-2	.A4
DRK0D-1L	.G3-G4	MCM06-1L	.E4	TTI06	.E9	5603	.A4
DRK0R	.E6-E8, E15	MCM10-1L	.E4	TTI10	.E9	5603-2	.A4
DRK0S	.G2, G4	MCX10-1LW	.E4	TTKIT	.E9	5603-S2	.A4
DRK1D	.G2	MDE03-1LW	.E7	TTKTR	.E9	5604-2	.A4
DRKDD-1L	.E4, E7, E15, G5-G6	MDF01-1L	.E15	TTM10	.E9	5611	.A5
HCM06-1DW	.G5	MDI06	.E7	VZ00R	.E3, E15	5611-2	.A5
HCM06-1SW	.G3	MDI06-1L	.E7	VZOSR	.E3	5613	.A5
HCM10-1DW	.G5	MDI10-1L	.E7	VZE04	.E2	5613-2	.A5
HCM10-1SW	.G3	MDM06-1L	.E7	VZE06	.E2	5614-2	.A5
HCS10-1SW	.G4	MDM10-1L	.E7	VZF01	.E15	5618-2	.A5
HXC10-1TW	.G2	MLE03-1LW	.E6	VZH06	.E2	5621-2	.A2
HXC1A-1TW	.G2	MLF01-1L	.E15	VZH08	.E2	5621-C	.A2
HXC1D-1TW	.G2	MLI06-1L	.E6	VZI06	.E2	5622-2	.A2
HXC2D-1TW	.G2	MLI10-1L	.E6	VZKIT	.E2-E3, E15	5623-2	.A2
HXC3D-1TW	.G2	MLM06-1L	.E6	VZM06	.E2	5623-C	.A2
HXC4A-1TW	.G2	MLM10-1L	.E6	VZM10	.E2	5624-2	.A2
HXC4D-1TW	.G2	MLX06-1L	.E6	VZS15	.E2	5624-C	.A2
HXC7S-1TW	.G2	MN00C-1LW	.E5	VZX10	.E2	5625	.C2
HXM06-1TW	.G6	MS00R-10	.E6-E8, E15	VZX12	.E2	5626	.C2
HXM10-1TW	.G6	MSE0R-10W	.E6-E7	5G108	.F2	5627	.C2
HXS08-1TW	.G4	ODS0D-ID	.E19	177BI	.E5	5628-2	.A3
INF01	.E14	ODS10-ID	.E19	177IR	.E5	5629-2	.A3
INF05	.E14	ODS15-ID	.E19	177RC	.E5	5631-2	.A3
INI06	.E11	PR150-1L	.E21	911	.E13	5633-2	.A3
INI10	.E11	PR180-1L	.E21	1754	.C3	5634	.C2
INKIT	.E11, E14	RPI06	.E11	1754-2	.C3	5636	.C2
INM06	.E11	RTD01	.E15	1754-1L	.C3	5638-2	.A3
INM10	.E11	RTF01	.E15	1755	.C3	5639-2	.A3

Catalog Number Index

Cat. No.	Page No.	Cat. No.	Page No.	Cat. No.	Page No.	Cat. No.	Page No.
5640	.C2	7380-IG	.B5	17100-2WY	.E5	80411-N	.D4
5641	.C2	8280	.B5	40638	.F4	80412	.D5
5643	.C2	8280-IG	.B5	40649	.F4	80412-N	.D4
5645	.C2	8281-IG	.B5	40680	.F4	80414	.D7
5646	.C2	8299	.B7, C3	40681	.D7, F4	80421	.D5
5649-2	.A3	8380	.B5	40682	.F4	80423	.D5
5657-2	.A3	8380-IG	.B5	40731	.F2	80431	.D5
5659-2	.A3	8381	.B5	40734	.F2	80436	.D5
5680	.F4	8381-IG	.B5	40830	.F2	80455	.D5
5685-2	.A3	8590	.B7	40831	.F2	80479	.D5
5686-2	.A3	8598	.B6	40832	.F2	80601	.D6
5691-2	.A2	8598-HG	.B7	40833	.F2	80605	.D6
5691-C	.A2	8599	.B6	40837	.F2	80608	.D6
5693-2	.A2	8599-L	.B6	40841	.F7	80609	.D6
5693-C	.A2	8898	.B6	40888	.F7	80611	.D6
5694-C	.A2	8898-HG	.B7	41084	.F2	80612	.D6
6124H	.E17	8899	.B6	41106	.F2	81401	.D4
6161	.E13	8899-L	.B6	41642	.F3	81409	.D4
6197	.D7	16241	.B3	41643	.F3	81411	.D4
6212H	.E18	16242	.B3	41644	.F3	81412	.D4
6215M	.E18	16251	.B3	41646	.F3	81423	.D4
6230M	.E18	16252	.B3	41666	.F3	82400	.D7
6260M	.E18	16262	.B2	41688	.F3	83400	.D7
6512H	.E18	16262-HG	.B2	48210	.F5	83401	.D4
6515M	.E18	16262-IG	.B2	48211	.F6	83409	.D4
6560M	.E18	16262-PL	.B2	80301-S	.D3	83411	.D4
6611-P	.E12	16262-SG	.B2	80309-S	.D3	84400	.D7
6613-P	.E12	16292	.B3	80311-S	.D3	84401-40	.D4
6615-P	.E12	16341	.B3	80312-S	.D3	84409-40	.D4
6623-P	.E12	16342	.B3	80314	.D7	84411-40	.D4
6627	.E16	16351	.B3	80321-S	.D3	84412-40	.D4
6628	.E12	16352	.B3	80326-S	.D3	84423-40	.D4
6629	.E16	16362	.B2	80381	.D7, F4	84436-40	.D4
6630	.E16	16362-HG	.B2	80400	.D7	84455-40	.D4
6631	.E12	16362-IG	.B2	80401	.D5	85400	.D7
6633-P	.E12	16362-PL	.B2	80401-IG	.B2	86400	.D7
6637-P	.E16	16441	.B3	80401-N	.D4	87400	.D7
6651	.E17	16451	.B3	80405	.D5	88400	.D7
6652	.E17	16462	.B3	80407	.D5	89400	.D7
6668	.E12	16641	.B3	80408	.D5		
7280	.B5	16651	.B3	80409	.D5		
7280-IG	.B5	16662	.B3	80409-N	.D4		
7380	.B5	17100-1WY	.E5	80411	.D5		

Distributed By

Decora Warranties

All Hospital Grade, Industrial Specification Grade and Commercial Specification Grade Decora devices are backed by Leviton's Limited Ten-Year Warranty. All other Decora Devices are backed by Leviton's Limited Two-Year Warranty.

Decora Home Controls Warranty

All Decora Home Controls Powerline Carrier Components are backed by Leviton's Limited Two-Year Warranty for Residential Installations Only. All Decora Home Controls are UL Listed.



Leviton Manufacturing Co., Inc.

59-25 Little Neck Parkway, Little Neck, NY 11362-2591
Telephone: 1-800-323-8920 • FAX: 1-800-832-9538
Tech Line (8:30AM–7:30PM E.S.T. Monday–Friday): 1-800-824-3005

Leviton Manufacturing of Canada, Ltd.

165 Hymus Boulevard, Pointe Claire, Quebec H9R 1E9
Telephone: 1-800-469-7890 • FAX: 1-800-563-1853

Leviton S. de R.L. de C.V.

Lago Tana 43, Mexico DF, Mexico CP 11290
Tel. (+52) 55-5082-1040 • www.leviton.com.mx

Visit Leviton's Web site at: www.leviton.com/decora

