

Installation Instructions for Industrial Mercmaster™ LED Low Profile Luminaire

FOR PROPER AND SAFE INSTALLATION OF THIS PRODUCT, PLEASE READ THE FOLLOWING INSTRUCTIONS.

Product Safety

Signal Words Defined

DANGER indicates a hazardous situation which, if not avoided, will result in death or serious injury.

WARNING indicates a hazardous situation which, if not avoided, could result in death or serious injury.

CAUTION indicates a hazardous situation which, if not avoided, could result in minor or moderate injury.

NOTICE is used to address practices not related to physical injury.

Safety Instructions

⚠ WARNING

- Do not open or remove the luminaire with the circuit energized.
- Do not use this luminaire on ungrounded systems. Failure to ground the luminaire can result in an electric shock, which may be fatal.

⚠ CAUTION:

- Risk of fire.
- Do not look directly at the LEDs when energized.
- It is necessary that the globe and all conduit plugs are tightly secured and all luminaire fittings (mounting hood and optic) are tightly secured to the LED housing to prevent water and dust entry. The optic should be cleaned periodically to maintain lighting efficiency.

⚠ NOTICE:

- Do not touch the LEDs; touching could leave oily deposits, causing hot spots and potential premature failure.
- This luminaire is designed for and should be installed in accordance with the National Electrical Code[®]/Canadian Electrical Code and all applicable local codes.
- This product must be installed in accordance with the applicable installation code by a person familiar with the construction and operation of the product and hazards involved.
- Do not use this equipment for anything other than its intended use.

Applications/Intended Use

- Marine and wet locations; apply a corrosion-inhibiting grease, such as petroleum or soap-thickened mineral oils, in 3 lines, spaced approximately 120 degrees apart, perpendicular to the threads. Tighten all unused close-up plugs.
- Non-hazardous locations where severe weather conditions, excessive moisture, dirt, dust, corrosive atmospheres, and high ambient temperatures are encountered.
- Areas of low clearance, low ceiling heights, or where luminaire weights must be minimized.

Agency Ratings

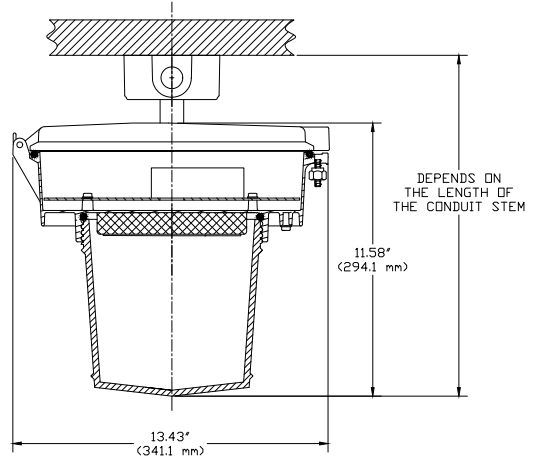
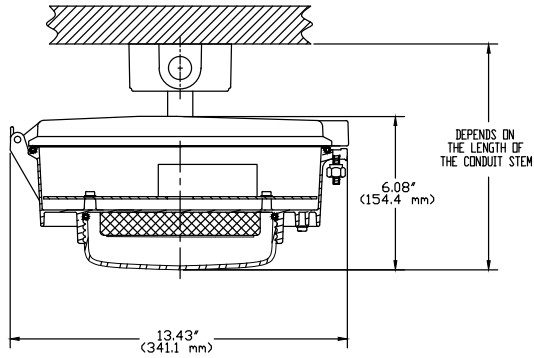
- Type 3R, 4, 4X
- Suitable for use in Wet Locations
- Refer to product nameplate for details.
- IP66
- Marine Outside Type (Salt Water) for USA only ①

NOTES:

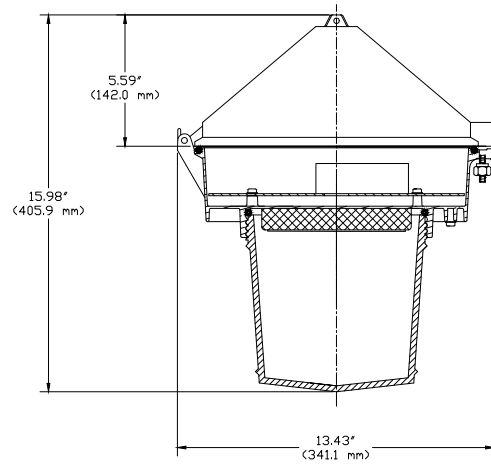
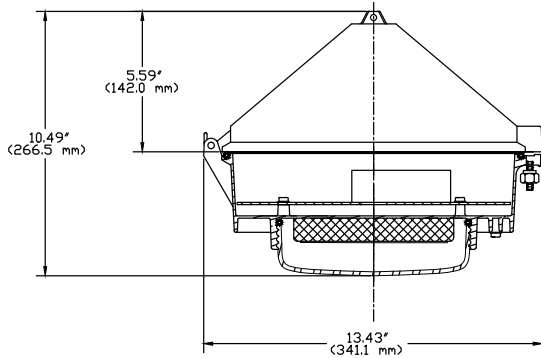
- ① To be installed in accordance with CG-259 of American Bureau of Shipping and Coast Guard.

Dimensions

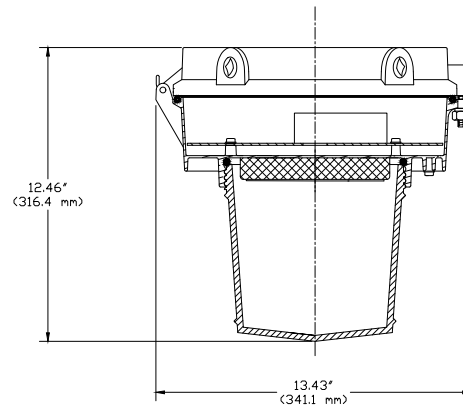
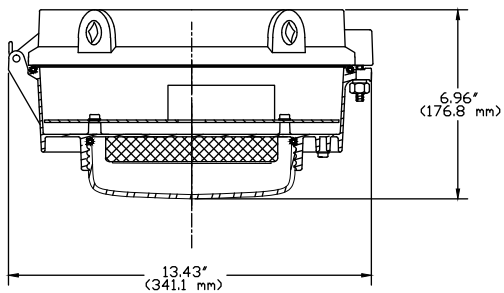
Pendant Mount



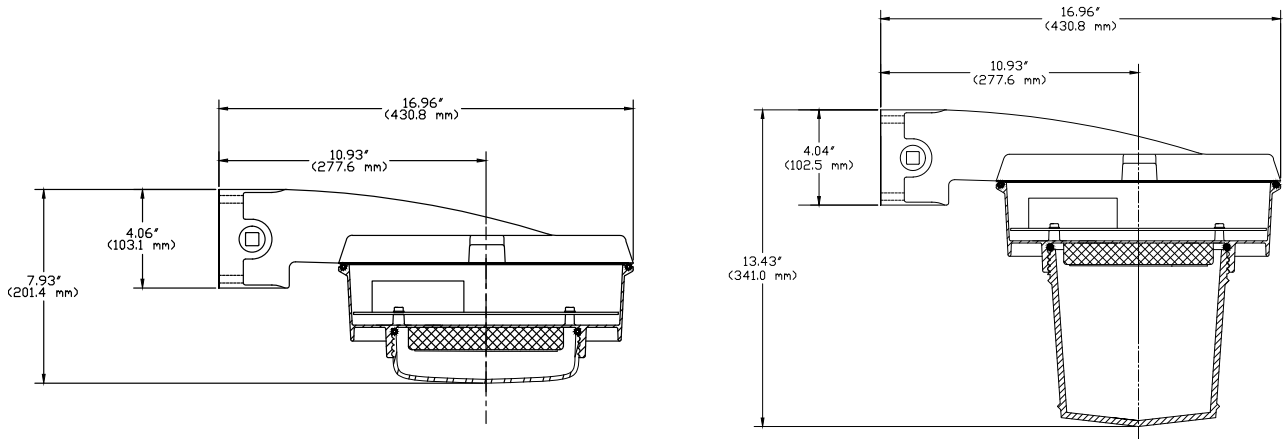
Pendant Cone Mount



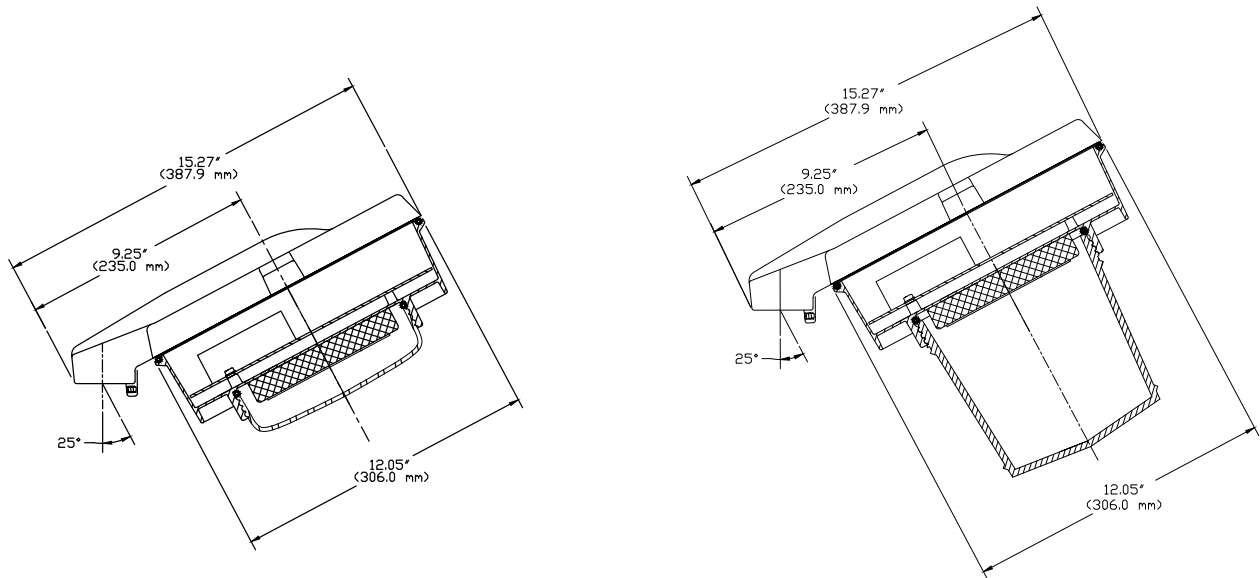
Ceiling Mount



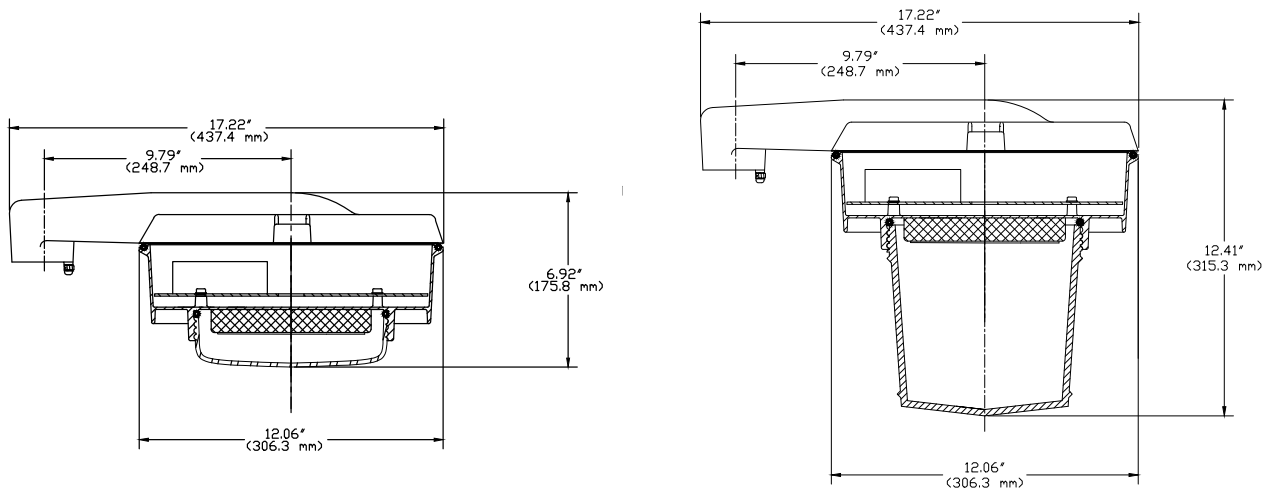
Wall Mount



Angle Stanchion Mount



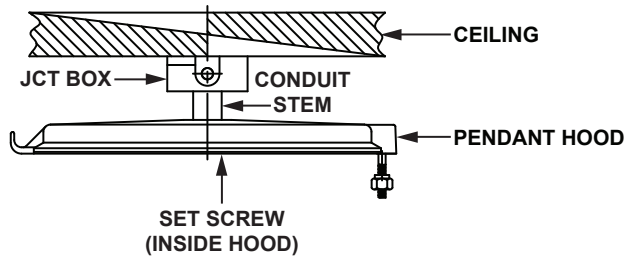
Stanchion Mount



Mounting Hood Installation

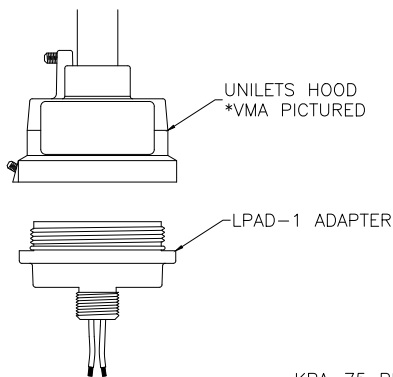
Pendant (KPA-75, KPA-100)

1. Apply a corrosion-inhibiting grease, such as petroleum or soap-thickened mineral oils, in 3 lines, spaced approximately 120 degrees apart, perpendicular to the threads on the conduit stem. Thread the pendant hood onto the 3/4 inch or 1 inch conduit stem.
2. Tighten the set screw inside the hood.



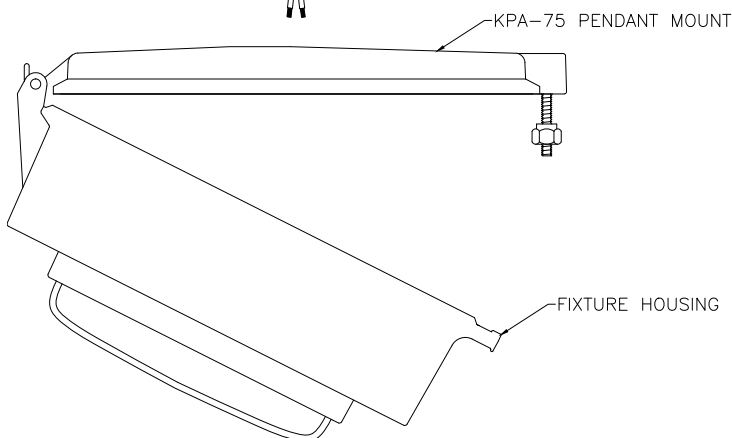
Pendant (KPA-75) with Adapter (LPAD-1)

1. Mount UNILETS® hood to conduit structural member.
2. Wire connection block per instruction sheet furnished with UNILETS hood.
3. Thread LPAD-1 adapter into UNILETS hood and tighten securely. The clicking sound insures good electrical connections and prevents the adapter from vibrating out.
4. If provided, tighten set screw in UNILETS hood to lock adapter in place.
5. Apply a corrosion-inhibiting grease, such as petroleum or soap-thickened mineral oils, in 3 lines, spaced approximately 120 degrees apart, perpendicular to the threads on the LPAD-1 adapter.
6. Feed wires from LPAD-1 adapter into pendant mounting hood. Thread hood into adapter and tighten securely.
7. Tighten set screw in pendant mounting hood to lock hood to adapter.



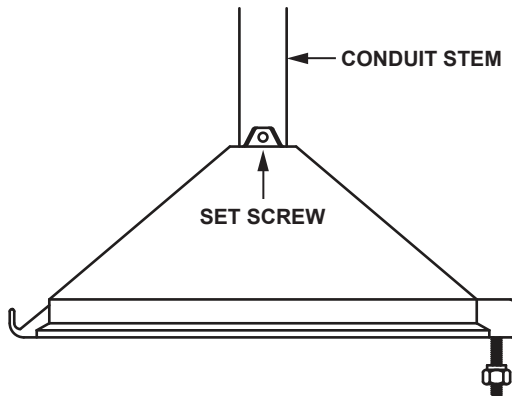
COMPATIBLE WITH
APPLETON UNILETS
CATALOG NUMBERS:

- V
- VC
- VT
- VX
- VXHA



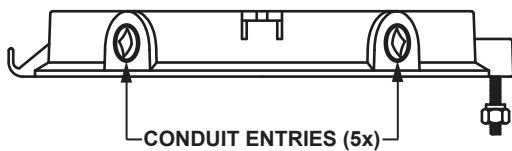
Pendant Cone (KPCH-75, KPCH-100)

1. Apply a corrosion-inhibiting grease, such as petroleum or soap-thickened mineral oils, in 3 lines, spaced approximately 120 degrees apart, perpendicular to the threads on the conduit stem. Thread the pendant cone hood onto the 3/4 inch or 1 inch conduit stem.
2. Tighten the set screw.



Ceiling (KPC-75, KPC-100)

1. Bolt the ceiling hood directly to a structural member; thread onto a 3/4 inch or 1 inch conduit stem; or bolt to a flush mounted junction box (see NOTES).
2. Remove unused conduit plugs and reinstall with a corrosion-inhibiting grease, such as petroleum or soap-thickened mineral oils, in 3 lines, spaced approximately 120 degrees apart, perpendicular to the threads on the conduit plugs.

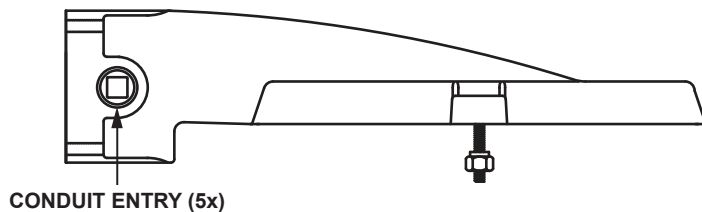


NOTES:

- Four drill marks on the 3-1/2 inch pitch diameter are provided for junction box mounting.
- Install the junction box gasket (supplied) between the junction box and the ceiling hood.

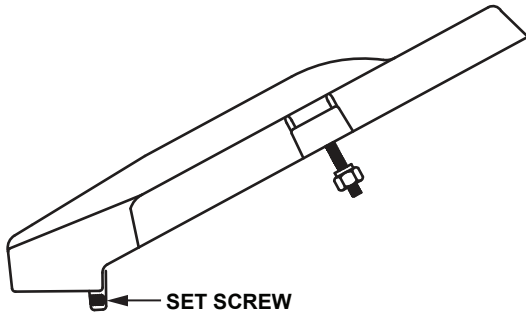
Wall (KPWB-75, KPWB-100)

1. Bolt the wall hood to a structural member.
2. Remove unused conduit plugs and reinstall with a corrosion-inhibiting grease, such as petroleum or soap-thickened mineral oils, in 3 lines, spaced approximately 120 degrees apart, perpendicular to the threads on the conduit plugs.



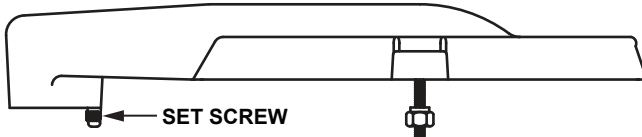
25° Stanchion (KPS-125, KPS-150)

1. Apply a corrosion-inhibiting grease, such as petroleum or soap-thickened mineral oils, in 3 lines, spaced approximately 120 degrees apart, perpendicular to the threads on the conduit.
2. Thread the stanchion hood onto the 1-1/4 inch or 1-1/2 inch conduit. NOTE: Five full threads must be engaged.
3. Determine the appropriate orientation and tighten the set screw.



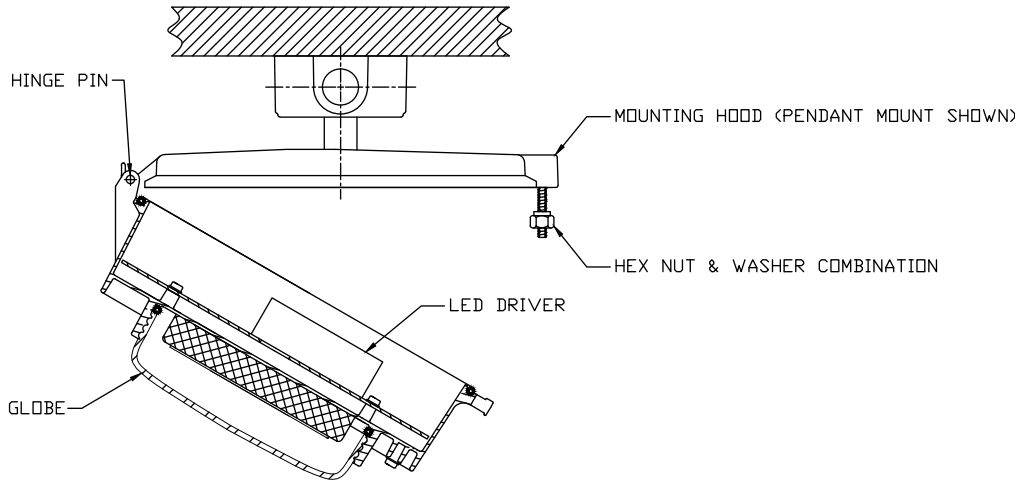
90° Stanchion (KPST-125, KPST-150)

1. Apply a corrosion-inhibiting grease, such as petroleum or soap-thickened mineral oils, in 3 lines, spaced approximately 120 degrees apart, perpendicular to the threads on the conduit stem. Thread the stanchion hood onto the 1-1/4 inch or 1-1/2 inch conduit stem. **NOTE:** Five full threads must be engaged.
2. Determine the appropriate orientation and tighten the set screw.

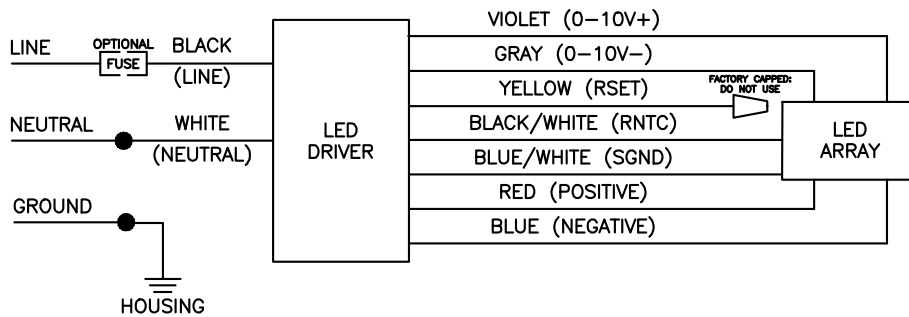


LED Housing Installation

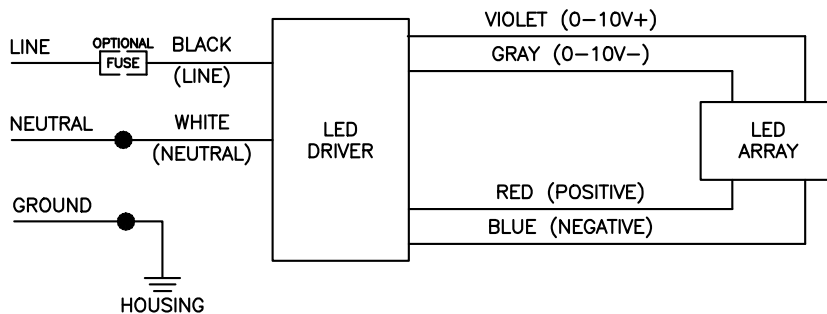
⚠ WARNING: The luminaire must be grounded as required by the National Electrical Code (Paragraph 410-21 and Article 250) or Canadian Electrical Code (Rule 30-500 and Section 10). Verify that ground continuity has been established by using an Ohm meter or other suitable testing equipment before energizing the luminaire. Failure to properly ground the luminaire will create an electric shock hazard, which can cause serious injury or death.



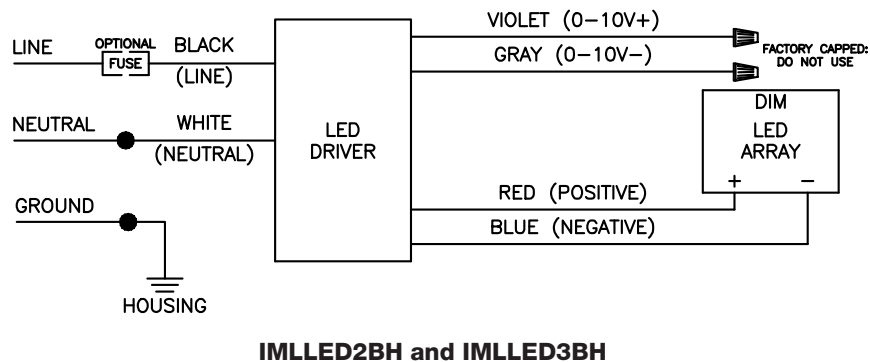
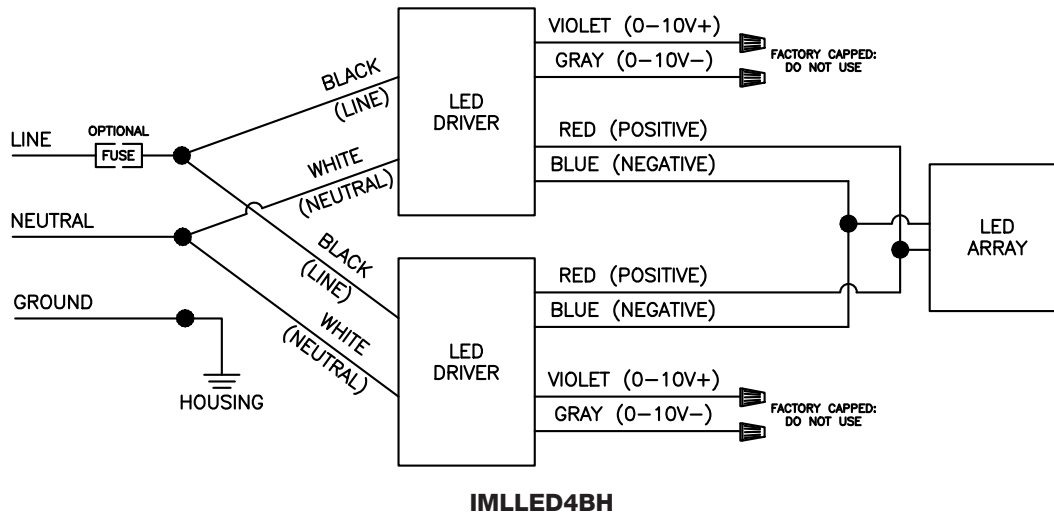
1. Disconnect facility power to the electric power supply leads.
2. Feed the proper temperature supply wire into the mounting hood. See the product nameplate for supply wire requirements.
3. Hang the LED housing on the hinge; secure with the hinge pin.
4. Strip the individual conductors to bare wire and connect driver leads to power supply leads using connectors suitable for the gauge and number of wires being used (not included). Suitable power: 120–277 V, 50/60 Hz for BU and 347–480 V, 50/60 Hz for BH.



IMLLED4BU



IMLLED2BU and IMLLED3BU



5. Housing requires bonding to mounting hood. Connect housing bond wire to GREEN ground screw on the mounting hood.
6. Fold all excess supply leads and fasten them into the mounting hood with the wire tie (supplied) to avoid pinching the wires.
7. Swing the LED housing up and tightly secure with the hex nut and washer combination.

Optic Installation

Globe/Reflector (VPGL-LED, VPGL-DIFF, VPGL-GLASS, VPGL-3HR, LPG-R1, LPG-R3, LPG-R5)

1. Thread the new globe or reflector onto the housing clockwise.
2. After the globe or reflector contacts the gasket surface, tighten a 1/4 to a 1/2 turn with strap wrench.

Guard Installation

Guard (KRG2, MGU1)

1. Loosen, do not remove, three (3) screws located around the perimeter of the fixture housing.
2. Install guard, making sure the screw heads capture the mounting feet/ring.
3. Tighten three (3) screws.

Reflector Installation

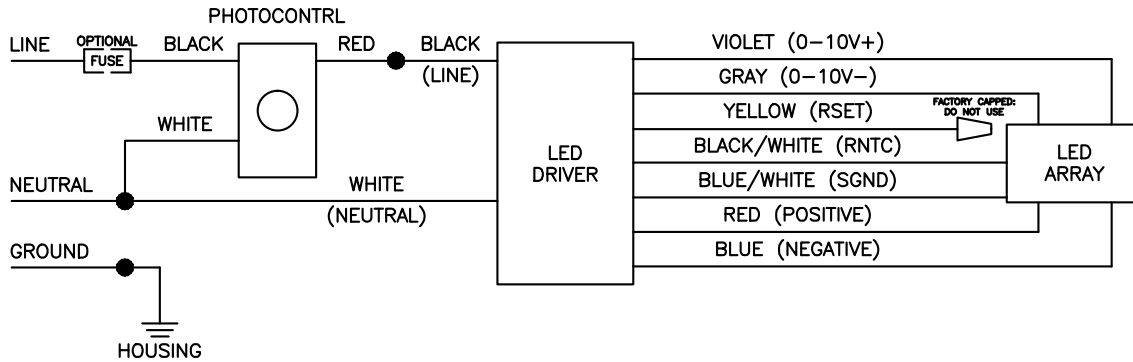
Reflector (CMR4AN, CMR4ST)

1. Loosen, do not remove, three (3) screws located around the perimeter of the fixture housing.
2. Install reflector, using the keyhole slots. Rotate the reflector to make sure the screw heads capture the mounting surface.
3. Tighten three (3) screws.

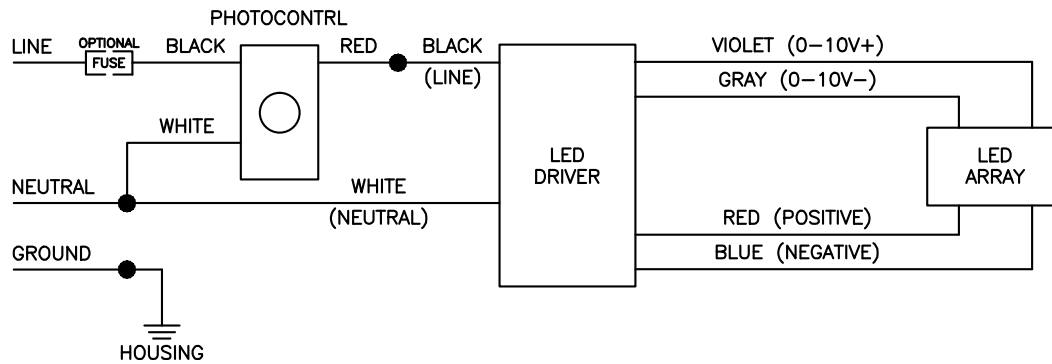
Optional Factory Installed Photocontrol

Photocell (KPA75PC120, KPA75PC248, KPA100PC120, KPA100PC248, KPS125PC120, KPS125PC248, KPS150PC120, KPS150PC248, KPWB75PC120, KPWB75PC248, KPWB100PC120, KPWB100PC248, KPST125PC120, KPST125PC248, KPST150PC120, KPST150PC248)

1. Complete the wire connections per the appropriate diagram below.



IMLLED4BU-PHOTOCONTROL













IMLLED2BU AND IMLLED3BU-PHOTOCONTROL






NOTES:




- Available photocontrol: PC120 for 120V ac; PC248 for 208-277V ac only.
- Photocontrol does not fit ceiling or pendant cone mounting hoods.
- Photocontrol provides automatic dusk-to-dawn lighting control. The luminaire with photocontrol must comply with all UL requirements.
- Luminaires with photocontrol are not rated IP66 or Marine Outside Type (Salt Water).



Industrial Mercmaster LED Low Profile Luminaire Family Tree

Pendant Mount with Photocell ②③ 		Wall Mount with Photocell ②③ 		25° Stanchion Mount with Photocell ②③ 		90° Stanchion Mount with Photocell ②③ 	
Hub Size	Catalog Number	Hub Size	Catalog Number	Hub Size	Catalog Number	Hub Size	Catalog Number
[120 V] 3/4 in.	KPA75PC120	[120 V] 3/4 in.	KPWB75PC120	[120 V] 1-1/4 in.	KPS75PC120	[120 V] 1-1/4 in.	KPST75PC120
[120 V] 1 in.	KPA100PC120	[120 V] 1 in.	KPWB100PC120	[120 V] 1-1/2 in.	KPS100PC120	[120 V] 1-1/2 in.	KPST100PC120
[208-277 V] 3/4 in.	KPA75PC248	[208-277 V] 3/4 in.	KPWB75PC248	[208-277 V] 1-1/4 in.	KPS75PC248	[208-277 V] 1-1/4 in.	KPST75PC248
[208-277 V] 1 in.	KPA100PC248	[208-277 V] 1 in.	KPWB100PC248	[208-277 V] 1-1/2 in.	KPS100PC248	[208-277 V] 1-1/2 in.	KPST100PC248

Pendant Mount 		Pendant Cone Mount 		Ceiling Mount 		Wall Mount 		25° Stanchion Mount 		90° Stanchion Mount 	
Hub Size	Catalog Number	Hub Size	Catalog Number	Hub Size	Catalog Number	Hub Size	Catalog Number	Hub Size	Catalog Number	Hub Size	Catalog Number
3/4 in.	KPA-75	3/4 in.	KPCH-75	3/4 in.	KPC-75	3/4 in.	KPWB-75	1-1/4 in.	KPS-125	1-1/4 in.	KPST-125
1 in.	KPA-100	1 in.	KPCH-100	1 in.	KPC-100	1 in.	KPWB-100	1-1/2 in.	KPS-150	1-1/2 in.	KPST-150


IMLLED Series with Glass Globe 		IMLLED Series with Polycarbonate Globe  				IMLLED Series 		IMLLED Series with Type V Refractor 	
Description (5700K CCT)	Catalog Number	Description (5700K CCT)	Clear Catalog Number	Diffused Catalog Number	Description (5700K CCT)	Catalog Number	Description (5700K CCT)	Catalog Number	
2K Lumens	IMLLED2G5BU	2K Lumens	IMLLED2P5BU	IMLLED2D5BU	2K Lumens	IMLLED2BU	2K Lumens	IMLLED2J5BU	
3K Lumens	IMLLED3G5BU	3K Lumens	IMLLED3P5BU	IMLLED3D5BU	3K Lumens	IMLLED3BU	3K Lumens	IMLLED3J5BU	
4K Lumens	IMLLED4G5BU	4K Lumens	IMLLED4P5BU	IMLLED4D5BU	4K Lumens	IMLLED4BU	4K Lumens	IMLLED4J5BU	
2K Lumens	IMLLED2G5BH	2K Lumens	IMLLED2P5BH	IMLLED2D5BH	2K Lumens	IMLLED2BH	2K Lumens	IMLLED2J5BH	
3K Lumens	IMLLED3G5BH	3K Lumens	IMLLED3P5BH	IMLLED3D5BH	3K Lumens	IMLLED3BH	3K Lumens	IMLLED3J5BH	
4K Lumens	IMLLED4G5BH	4K Lumens	IMLLED4P5BH	IMLLED4D5BH	4K Lumens	IMLLED4BH	4K Lumens	IMLLED4J5BH	

Polycarbonate Globes ① 		Glass Globe ① 		Glass Refractors Closed Prismatic ① 	
Light Dist.	Catalog Number	Light Dist.	Catalog Number	Light Dist.	Catalog Number
NEMA Type V Clear	VPGL-LED	NEMA Type V	VPGL-GLASS	NEMA I	LPG-R1
NEMA Type V Diffused	VPGL-DIFF			NEMA III	LPG-R3
				NEMA V	LPG-R5

Globe Guards (Optional Accessory) 		Refractor Guard (Optional Accessory) 	
Catalog Number MGU1		Catalog Number KRG2	

NOTES:

- ① Globe/refractors are factory installed to the IMLLED housing before shipping.
- ② Assembled luminaire with photocontrols are not suitable for IP66, 3R and 4X applications.
- ③ Photocontrols not available for 347-480V ac (BH) luminaires.

White Polyester Reflector (Optional Accessory) 	
Description	Catalog Number
30° Angle	CMR-4AN
Standard Dome	CMR-4ST

Except as expressly provided by Appleton Grp, LLC (Appleton), Appleton products are intended for ultimate purchase by industrial users and for operation by persons trained and experienced in the use and maintenance of this equipment and not for consumers or consumer use. Appleton warranties DO NOT extend to, and no reseller is authorized to extend Appleton's warranties to any consumer. While every precaution has been taken to ensure accuracy and completeness in this manual, Appleton Grp, LLC, assumes no responsibility, and disclaims all liability for damages resulting from use of this information or for any errors or omissions. Specifications are subject to change without notice. The Appleton and Emerson logos are registered in the U.S. Patent and Trademark Office. All other product or service names are the property of their registered owners. ©2015 Appleton Grp, LLC. All rights reserved.