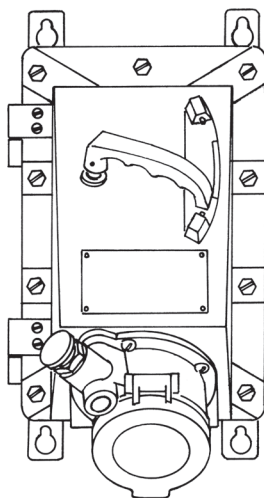


**EBR Receptacles with Interlocked Circuit Breaker:
Explosion-Proof, Dust-Ignition-Proof.**

**Class I, Div. 1 and 2
Groups C, D
Class II, Div. 1 and 2
Groups F, G
Class III
Type 3, 3R, 4†, 4X†
NEMA 7CD, 9F*G**

Weatherproof Spring Cover—30, 60, 100 and 150 Amps at 600V A.C. Max.
Interlocked Circuit Breaker Safety Construction. Grounding thru Extra Pole and Shell

* *CAUTION: To prevent Ignition of hazardous atmospheres, do not use in Class II, Group F locations that contain electrically conductive dusts. Most coal dusts are not electrically conductive.*



1-1/2" threaded conduit openings- one in top and two in bottom

I. TO DISASSEMBLE RECEPTACLE INTERIOR

1. Remove polarizing screw and washer.
2. Rotate terminal holder counter-clockwise.

II. TO CONNECT CONDUCTORS TO RECEPTACLE INTERIOR

1. Strip insulation from ends of individual conductors.
2. Loosen screws in pressure connectors and slide prepared ends of conductors into the connectors, observing proper polarity. Tighten screws.

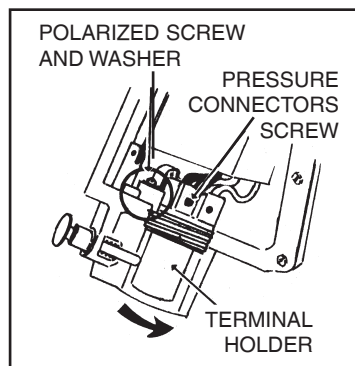
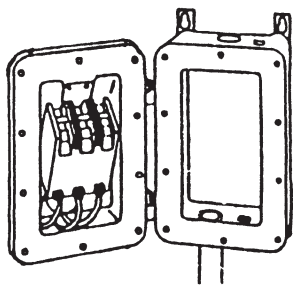
III. TO REASSEMBLE RECEPTACLE INTERIOR

1. Insert Terminal Holder and turn clockwise until front end is approximately 1/4" inside of casting surface. Recessed radial depression in Terminal Holder must be lined up with polarizing washer/locator. Replace screw through the ground strip.

IV. POLARITY AND PHASE ROTATION

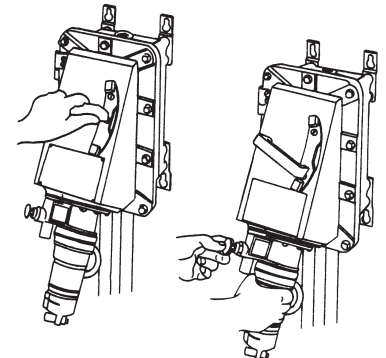
1. ACP, CPH Plugs and EBR Receptacle are polarized so that the plug will enter the receptacle only one way.
2. Special Polarization: suffix - P4 added to catalog number of the receptacle. Prevents plug insertion in a receptacle wired for a different voltage (doesn't apply for 150 Amp).

Solderless lugs are provided for line connections and receptacle is rewired to the load side of breaker. Cover-mounted components leave entire enclosure space free for pulling of line conductors and wiring.



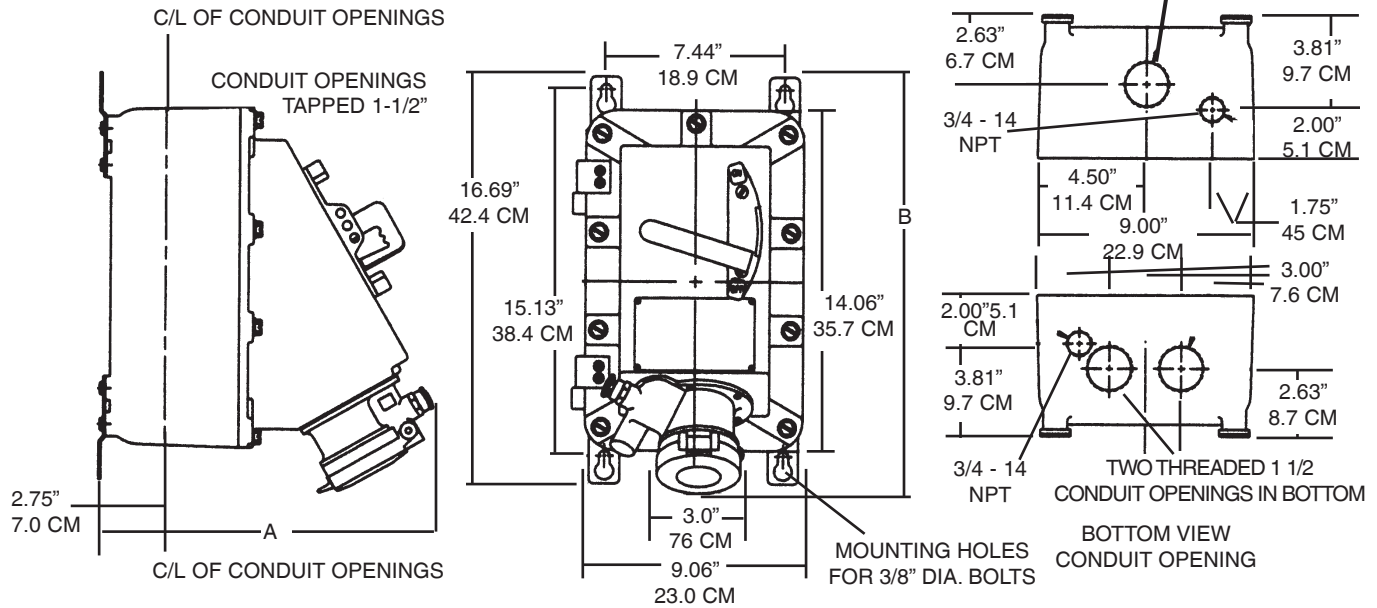
Plug is mechanically locked in receptacle when circuit breaker is ON. Design provides interlocked connect and disconnect operation as well as short circuit and thermal time delay overload protection. Breaker operating handle can be padlocked in either "ON" or "OFF" position and is trip-free.

Enclosure has 3/4" threaded openings top and bottom for installation of UL Listed drain and breather. Reducers are suitable for Class I, Groups B, C and D; Class II, Groups F and G when installed such that at least five full threads are engaged. Unused openings must be plugged with factory supplied plugs.



† Flip cover suitable for Type 3 and 3R only. Select screw cover for Type 4 and 4X. Both covers are included with product. Type 4 rating maintained with Appleton Type 4 plug installed.

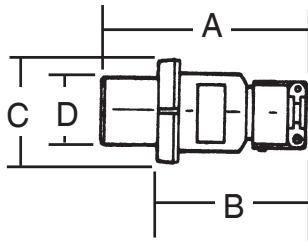
Dimensions of EBR Inter-Interlock Circuit Breaker Receptacles



	30 Amp	60 Amp	100/150 Amp		30 Amp	60 Amp	100/150 Amp
A	14.25" (36.2cm)	14.25" (36.2cm)	14.69" (37.3cm)	B	16.13" (41.0cm)	17.69" (44.9cm)	18.38" (46.7cm)

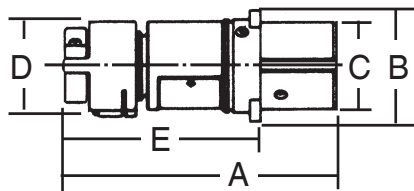
Dimensions in Inches

ACP Plugs for EBR Receptacles

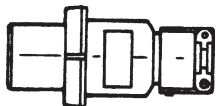


Amp	No. Poles	A	B	C	D
30 Amp	2, 3, 4	6.00	4.75	3.13	1.86
60 Amp	2, 3	7.81	4.94	3.50	2.23
60 Amp	4	7.81	4.94	3.81	2.55
100 Amp	2, 3	10.50	6.63	4.00	2.47
100 & 150(CD) Amp	4	10.50	6.63	4.25	2.72
150(DE)	4	13.40	9.63	4.25	2.72

CPH Plugs for EBR Receptacles



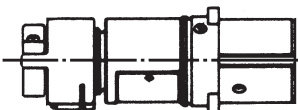
Max. Amps.	Wire/Pole	A	B	C	D	E
30	2W, 3P; 3W, 4P	6.13	2.38	1.86	1.81	4.44
60	2W, 3P	8.44	3.06	2.23	3.31	5.69
60	W, 4P	8.44	3.06	2.55	3.31	5.69



ACP PLUG

ACP Plugs for EBR Receptacles

Cable Dia. (In.)	30 Amp		60 Amp		100 Amp		150 Amp
	2W, 3P	3W, 4P	2W, 3P	3W, 4P	2W, 3P	3W, 4P	3W, 4P
.390 to 1.375	ACP3023BC	ACP3034BC	ACP6023BC	ACP6034BC	-----	-----	-----
.875 to 1.906	-----	-----	-----	-----	ACP1023CD	ACP1034CD	ACP15034CD
1.25 to 2.19	-----	-----	-----	-----	-----	-----	ACP15034DE

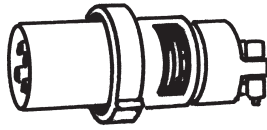


CPH PLUG

CPH Plugs for EBR Receptacles

Cable Dia., Inches	30 Amp		60 Amp	
	2W, 3P	3W, 4P	2W, 3P	3W, 4P
.500 to .875	CPH3023B	CPH3034B	-----	-----
.390 to 1.375	-----	-----	CPH6023BC	CPH6034BC

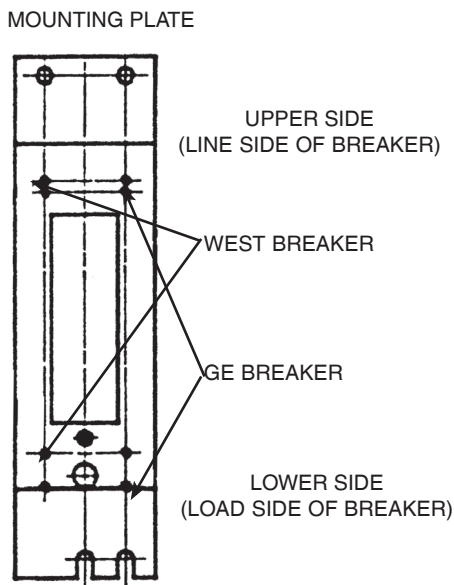
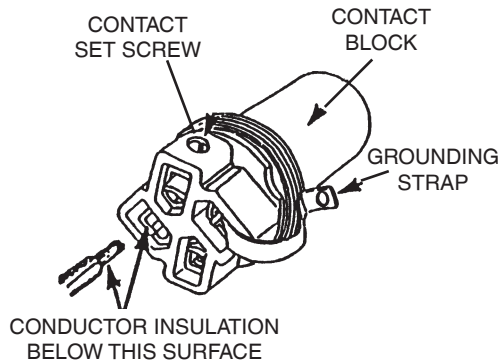
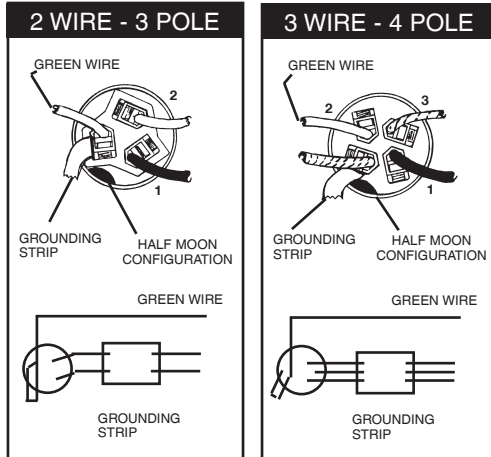
ACP Plug Equivalents



Appleton ACP Plugs are mechanically and electronically interchangeable with Crouse-Hinds APJ plugs as listed at right.

Cable Diameter, Inches	Wire/Pole	Catalog Number	
		Crouse-Hinds	Appleton
30 Amp Plugs			
.390 to 1.375	2W, 3P	APJ3385	ACP3023BC
.390 to 1.375	3W, 4P	APJ3485	ACP3034BC
60 Amp Plug.			
.390 to 1.375	2W, 3P	APJ6385	ACP6023BC
.390 to 1.375	3W, 4P	APJ6485	ACP6034BC
100 & 150(DC) Amp Plug			
.875 to 1.906	2W, 3P	APJ10387	ACP1023CD
.875 to 1.906	3W, 4P	APJ10487	ACP1034CD
150(DE) Amp Plug			
1.25 to 2.19	3W, 4P		ACP15034DE

EBR Receptacle Interlocked With Circuit Breaker - 30, 60, 100 and 150 Amp



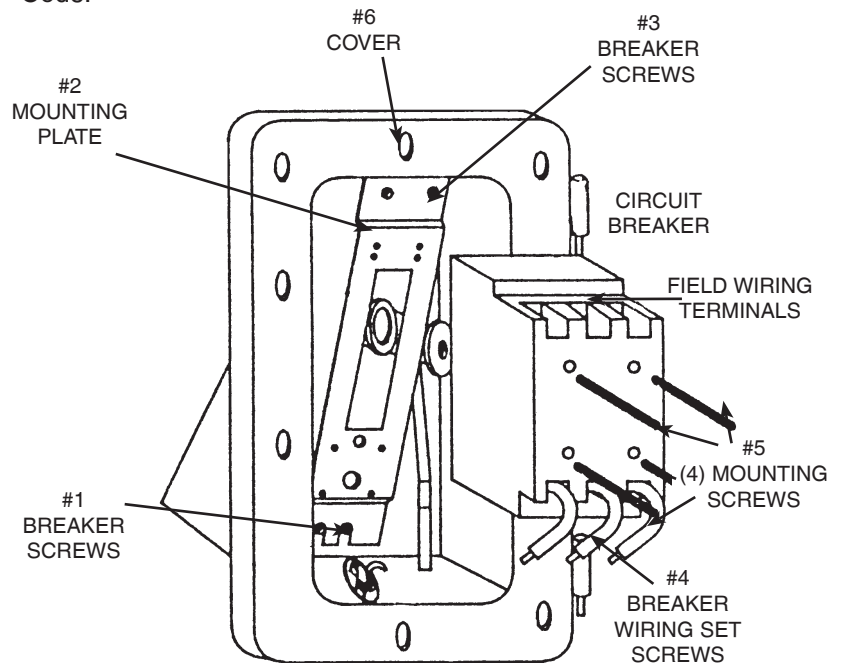
V. WIRING

1. Conductors from Receptacle are connected to the circuit breaker as shown.

VI. CIRCUIT BREAKER REPLACEMENT

1. Loosen the two screws #1 located on the mounting plate on the load side of the breaker.
 - Note - only loosen enough for the mounting plate #2 to slide from under the screw heads.**
2. Remove the remaining two screw #3 that secure the mounting plate #2 in place.
3. Loosen the breaker screws #4 that connect the breaker phase locations to the conductors which are attached to the contact block pins. Loosening of these screws will allow removal of the breaker and mounting plate assembly.
4. Loosen and remove the four breaker mounting screws #5 which secure the breaker to the mounting plate.
5. Discard the old breaker & four mounting screws #5. Insert the four new mounting screws #5 through the back of the new breaker. Fasten to the mounting plate #2 as shown. Cut off surplus length of screw protruding through the plate and fasten the mounting plate #2 to the inside of the cover #6 by reversing steps 1 to 3 above, making sure to tighten all screws securely.

7. Field wiring installation for 150 Amp EBR: Use minimum of #2/0 size copper wire. For lower amperage application follow NEC Code.



INTERMATEABILITY CHART

APPLETON RECEPTACLE CAT.NO.	AMPS	VOLTS AC	APPLETON PLUG	CROUSE-HINDS PLUG
EBR3023EH15, EHD15	15	480	ACP3023BC	APJ3385
EBR3023EH20, EHD20	20	480	ACP3023BC	APJ3385
EBR3023EH25, EHD25	25	480	ACP3023BC	APJ3385
EBR3023EH30, EHD30	30	480	ACP3023BC	APJ3385
EBR3023EH35, EHD35	30	480	ACP3023BC	APJ3385
EBR3023EH40, EHD40	30	480	ACP3023BC	APJ3385
EBR3023FB15, FBD15	15	600	ACP3023BC	APJ3385
EBR3023FB20, FBD20	20	600	ACP3023BC	APJ3385
EBR3023FB25, FBD25	25	600	ACP3023BC	APJ3385
EBR3023FB30, FBD30	30	600	ACP3023BC	APJ3385
EBR3023FB35, FBD35	30	600	ACP3023BC	APJ3385
EBR3023FB40, FBD40	30	600	ACP3023BC	APJ3385
EBR3023HFB15, FD15	15	600	ACP3023BC	APJ3385
EBR3023HFB20, FD20	20	600	ACP3023BC	APJ3385
EBR3023HFB25, FD25	25	600	ACP3023BC	APJ3385
EBR3023HFB30, FD30	30	600	ACP3023BC	APJ3385
EBR3023HFB35, FD35	30	600	ACP3023BC	APJ3385
EBR3023HFB40, FD40	30	600	ACP3023BC	APJ3385
EBR3034EH15, EHD15	15	480	ACP3034BC	APJ3485
EBR3034EH20, EHD20	20	480	ACP3034BC	APJ3485
EBR3034EH25, EHD25	25	480	ACP3034BC	APJ3485
EBR3024EH30, EHD30	30	480	ACP3034BC	APJ3485
EBR3034EH35, EHD35	30	480	ACP3034BC	APJ3485
EBR3034EH40, EHD40	30	480	ACP3034BC	APJ3485
EBR3034FB15, FBD15	15	600	ACP3034BC	APJ3485
EBR3034FB20, FBD20	20	600	ACP3034BC	APJ3485
EBR3034FB25, FBD25	25	600	ACP3034BC	APJ3485
EBR3034FB30, FBD30	30	600	ACP3034BC	APJ3485
EBR3034FB35, FBD35	30	600	ACP3034BC	APJ3485
EBR3034FB40, FBD40	30	600	ACP3034BC	APJ3485
EBR3034HFB15, FD15	15	600	ACP3034BC	APJ3485
EBR3034HFB20, FD20	20	600	ACP3034BC	APJ3485
EBR3034HFB25, FD25	25	600	ACP3034BC	APJ3485
EBR3034HFB30, FD30	30	600	ACP3034BC	APJ3485
EBR3034HFB35, FD35	30	600	ACP3034BC	APJ3485
EBR3034HFB40, FD40	30	600	ACP3034BC	APJ3485
EBR6023EH35, EHD35	35	480	ACP6023BC	APJ6385
EBR6023EH40, EH040	40	480	ACP6023BC	APJ6385
EBR6023EH45, EHD45	45	480	ACP6023BC	APJ6385
EBR6023EH50, EHD50	50	480	ACP6023BC	APJ6385
EBR6023EH60, EHD60	60	480	ACP6023BC	APJ6385
EBR6023EH70, EHD70	60	480	ACP6023BC	APJ6385
EBR6023FB35, FDB35	35	600	ACP6023BC	APJ6385
EBR6023FB40, FDB40	40	600	ACP6023BC	APJ6385
EBR6023FB45, FDB45	45	600	ACP6023BC	APJ6385
EBR6023FB50, FDB50	50	600	ACP6023BC	APJ6385
EBR6023FB60, FDB60	60	600	ACP6023BC	APJ6385
EBR6023FB70, FDB70	60	600	ACP6023BC	APJ6385
EBR6023HFB35, FD35	35	600	ACP6023BC	APJ6385
EBR6023HFB40, FD40	40	600	ACP6023BC	APJ6385
EBR6023HFB45, FD45	45	600	ACP6023BC	APJ6385
EBR6023HFB50, FD50	50	600	ACP6023BC	APJ6385
EBR6023HFB60, FD60	60	600	ACP6023BC	APJ6385
EBR6023HFB70, FD70	60	600	ACP6023BC	APJ6385
EBR6034EH35, EHD35	35	480	ACP6034BC	APJ6485
EBR6034EH40, EHD40	40	480	ACP6034BC	APJ6485
EBR6034EH45, EHD45	45	480	ACP6034BC	APJ6485
EBR6034EH50, EHD50	50	480	ACP6034BC	APJ6485
EBR6034EH60, EHD60	60	480	ACP6034BC	APJ6485
EBR6034EH70, EHD70	60	480	ACP6034BC	APJ6485
EBR6034FB35, FDB35	35	600	ACP6034BC	APJ6485
EBR6034FB40, FDB40	40	600	ACP6034BC	APJ6485
EBR6034FB45, FDB45	45	600	ACP6034BC	APJ6485
EBR6034FB50, FDB50	50	600	ACP6034BC	APJ6485
EBR6034FB60, FDB60	60	600	ACP6034BC	APJ6485
EBR6034FB70, FDB70	60	600	ACP6034BC	APJ6485
EBR6034HFB35, FD35	35	600	ACP6034BC	APJ6485
EBR6034HFB40, FD40	40	600	ACP6034BC	APJ6485
EBR6034HFB45, FD45	45	600	ACP6034BC	APJ6485
EBR6034HFB50, FD50	50	600	ACP6034BC	APJ6485
EBR6034HFB60, FD60	60	600	ACP6034BC	APJ6485
EBR6034HFB70, FD70	60	600	ACP6034BC	APJ6485

Note:

The Appleton "EBR" Receptacles and "ACP" Plugs are UL Listed Combinations. The Appleton "ERB" Receptacles with Crouse-Hinds UL Listed "APJ" Series Plugs are UL Classified Combinations. Classifications are for Class I, Div. 1, Groups C and D. Receptacles with the P4 suffix have the interior rotated 22 1/2° for special polarization applications. They are compatible only with Appleton plugs with the P4 option, or Crouse-Hinds plugs with the S4 option.