

# AERL Explosionproof Reelites™

## Type SO Cable, 16 and 14 Gauge, 2 to 4 Conductors.

**NEC/CEC:**  
**Class I, Division 1 and 2, Group D**  
**Class II, Division 1 and 2, Groups E, F, G**  
**Class III**

### Applications

- Designed for lift, pick-up and suspension applications in Class I, Group D; Class II, Groups E, F and G; and Class III hazardous locations containing flammable vapors, gases or combustible dust.
- Maximum operating capacity 15 Amps, 600 Vac/250 Vdc.
- Transfers safe, uninterrupted power or control signals for equipment requiring #16 and #14 gauge type SO oil-resistant cable with 2 to 4 conductors.
- Model AERL22-RB5 available from stock includes AERL22 Reelite™ (2W 3P) with ratchet, 15.2 meters (50 feet) of #16/3-conductor SO cable, and 100 Watt EHL-100N medium base explosionproof handlamp ①, suitable for Class I, Group D, only.

### Features

- Compact size, light weight and rugged construction for long service with minimum maintenance.
- Factory prewired and sealed to large junction box for fast, easy installation.
- Safety ground through separate collector ring and frame provides positive grounding path.
- Lifetime-lubricated bearings reduce maintenance.
- Easy-to-remove cover provides quick access to springs. Cast threaded cover is removable for inspection of ring and brush assembly.
- Each spring is separately contained in a safety cartridge to eliminate danger during handling or replacement.
- Built-in cable locking ratchet is provided with all reels in this series and can be easily activated when required.
- Available with cable lengths up to 15.2 meters (50 feet).
- Includes adjustable four-roller cable outlet guide. Other optional cable guides and swivel bases are available.

### Standard Materials

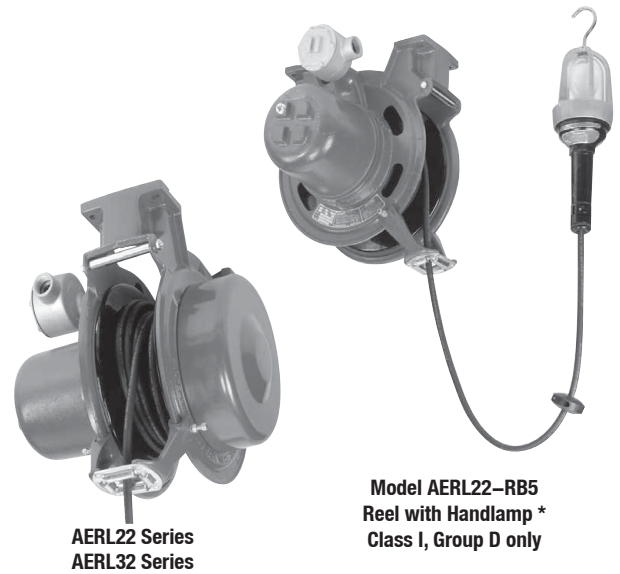
- Frame: cast aluminum
- Reelsides: steel
- Collector rings: copper
- Brushes: high-density copper-graphite

### Standard Finishes

- Red epoxy powder coat

### NEC/CEC Certifications and Compliances

- UL and cUL Listed: E12466
- UL Standard: 355, 1203



### Ordering Information

Catalog numbers for AERL Series Reelites™ with maximum cable lengths are listed below. For AERL Reelites™ having specific cable lengths, refer to the Introduction, Application and Selection Tables at the beginning of *Specialty Products: Explosionproof Reelites™*.

1. Specify complete catalog number. To be complete, catalog number must include "AERL" prefix followed by a two-digit number designating a specific model in the AERL Series. Example: AERL32 is a complete catalog number.
2. Specify cable length, gauge, and number of conductors. Cable pricing is found in Pricing Index, Schedule RE. To validate warranty, cable must be ordered with reel and factory installed to assure undivided responsibility for proper cable length, flexibility, installation and proper pretension of power springs.
3. All Reelites™ in the AERL Series include four-roller cable outlet guide shown. Other outlet types are available at extra charge. See Accessories in this section.
4. All Reelites™ in the AERL Series are shipped with ratchets which are "locked out" for constant cable tension. These ratchets can be easily field-activated where cable locking is desired.

Note: Model AERL22-RB5 has the Ratchets engaged.

Wire Gauge A.W.G.	Number of Conductors	Cable Capacity Meters (Feet)	Catalog Number
#16	2W 3P	15.2 (50)	<b>AERL22-163-50</b>
#14	2W 3P	9.1 (30)	<b>AERL22-143-30</b>
#16	3W 4P	15.2 (50)	<b>AERL32-164-50</b>
#14	3W 4P	9.1 (30)	<b>AERL32-144-30</b>
#16	2W 3P	15.2 (50)	<b>AERL22-RB5 ②</b>

① For handlamp descriptions see *Lighting: Portable Lighting Section*.

② With ratchet and explosionproof handlamp suitable for Class I, Group D only.

# AERL Explosionproof Reelites™

## NEC/CEC:

Class I, Division 1 and 2, Group D  
 Class II, Division 1 and 2, Groups E, F, G  
 Class III

## Cable Locking Ratchets

Industrial Reelites™ normally provide for constant cable tension which automatically rewinds any excess or slack cable. In applications where constant tension is not desired after cable has been pulled out to the required length, a cable locking ratchet is available. When normal spring tension is again needed to rewind the cable, the ratchet can be released by a short tug. Reelites™ in the AERL Series are all supplied with ratchets. However, their ratchets are locked out so that constant tension is provided. If the ratchet is needed, it can be easily engaged in the field by the simple removal of two screws.

Note: Model AERL22-RB5 has the ratchets engaged.

## Cable Outlets

Where cable payout is not in direct line with the reel drum, it is important that the proper cable outlet guide be selected to prevent cable damage and excessive wear, minimized friction and provide proper cable piling on the drum.

- **Four-Roller Outlet:** General purpose cable guide allowing cable payout up to 30° in all directions from center.
- **Swivel Outlet:** Allows cable payout at right angles to reel drum up to a total of 225°.
- **Two-Roller Outlet and Guide Rails:** Allow two-way payout up to 180° in line with reel drum.

The table below identifies standard and optional cable roller outlets and guide rails available for the AERL Series Reelites™ as well as the maximum cable diameter and payout arc which each roller outlet will accommodate.





**Split Ball Stop:** Cable ball stop BS631 is furnished with the AERL Series Reelites™.

## Swivel Bases


Optional Swivel bases are available for AERL Series Reelites™ as shown here.

- 335° Limited Swivel Base SBL-RL2 for AERL Series Reelites™

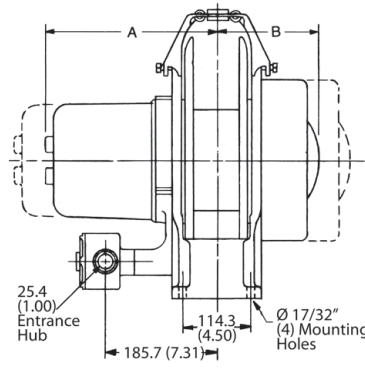
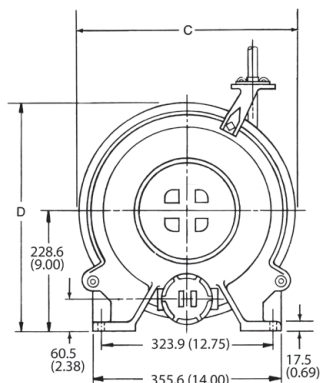
## Cable Outlets

		Maximum Arc of Cable Bending	Largest Cable Diameter Recommended – Millimeters (Inches)	Optional Outlets Type	Optional Outlets Catalog Number	Outlet Furnished Catalog Number
		60°	19.1 (0.75)	Four Roller	RO1B	
		225°	19.1 (0.75)	Swivel Type	RO2B	RO1B
		180°	19.1 (0.75)	Two Roller	RO3B	
		—	19.1 (0.75)	Guide Rail	RO4B	

## Swivel Bases

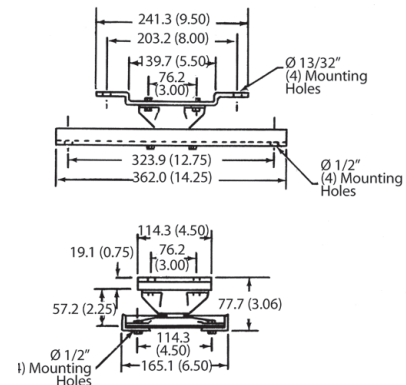
	Catalog Number
	335° Limited for AERL Series Reelite SBL-RL2

## Dimensions in Millimeters (Inches)



Allow 381.0 (15.00) clearance for cover removal.

AERL Reel



SBL-RL2

Visit our website at [www.emerson.com](http://www.emerson.com) or contact us at (800) 621-1506.

© November 2016