

Cl. I, Div. 1 & 2, Groups B, C, D  
 Cl. II, Div. 1, Groups E, F, G  
 Cl. II, Div. 2, Groups F, G  
 Cl. III  
 NEMA 4\*, 7BCD, 9EFG  
 Ex d IIC T6, IP66†  
 Ex d IIC, IP66, ATEX certified

Explosionproof  
 Dust-Ignitionproof  
 Raintight  
 Wet Locations  
 Watertight

**Applications:**

GUE, GUB series junction boxes are used in threaded rigid conduit systems in hazardous areas:

- To function as a splice box, pull box or equipment and device enclosure
- To house wiring
- Indoors and outdoors

**Features:**

- Threaded construction throughout permits use in hazardous areas
- Bodies have thick walls so they can be factory or field drilled and tapped to meet NEC/CEC requirements for Class I hazardous areas
- Covers are provided with a neoprene "O" ring gasket to meet NEMA/EEMAC 4 requirements for a watertight seal§
- Internal grounding lug provides a means to ground enclosed equipment
- Boxes are machined for field installed mounting plates
- GUB boxes are ATEX certified when ordered with Suffix SA ATEX (not available for GU and GUE)

**Certifications and Compliances:**

- NEC/CEC:
  - Class I, Division 1 & 2, Groups B, C, D
  - Class II, Division 1, Groups E, F, G
  - Class II, Division 2, Groups F, G
  - Class III
- UL Standard: 1203
- CSA Standard: C22.2 No. 30
- ATEX: Ex d IIC, IP66† ATEX Certificate: PTB 01 ATEX 1019 U
- Ex d IIC, IP66, ATEX certified

**Standard Materials:**

- Bodies – *Feraloy*® iron alloy
- Covers – copper-free aluminum

**Standard Finishes:**

- *Feraloy* iron alloy – GU, GUE, GUB01, GUB02 – electrogalvanized and aluminum acrylic paint. All other boxes – zinc chromate primer and aluminum acrylic paint
- Copper-free aluminum – natural

**Options:**

Description	Suffix
• Copper-free aluminum bodies and covers (GUB01, GUB02, GUB03, GUB06 only).....	<b>SA</b>
• ATEX certified (GUB01 SA, GUB02 SA, GUB03 SA, GUB06 SA only).....	<b>SA ATEX††</b>
• Factory installed mounting plate for relays, terminal blocks, electrical devices, etc .....	<b>MP</b>
• Factory installed terminal blocks. Information on request	

**Junction Boxes Without Hubs‡**



**GU**  
 4<sup>15</sup>/<sub>16</sub>" x 4<sup>15</sup>/<sub>16</sub>" x 4<sup>1</sup>/<sub>8</sub>"  
 3<sup>5</sup>/<sub>8</sub>" cover opening

**GUE**  
 5<sup>5</sup>/<sub>16</sub>" x 5<sup>5</sup>/<sub>16</sub>" x 5<sup>3</sup>/<sub>8</sub>"  
 3<sup>5</sup>/<sub>8</sub>" cover opening



**GUB01**  
 6<sup>1</sup>/<sub>2</sub>" x 7" x 5<sup>3</sup>/<sub>4</sub>"  
 5<sup>3</sup>/<sub>8</sub>" cover opening

**GUB02**  
 8" x 10" x 5<sup>1</sup>/<sub>8</sub>"  
 7" cover opening

**GUB06**  
 8<sup>1</sup>/<sub>2</sub>" x 10" x 6<sup>7</sup>/<sub>8</sub>"  
 7" cover opening



**GUB03**  
 11" x 12" x 8<sup>13</sup>/<sub>16</sub>"  
 9<sup>3</sup>/<sub>8</sub>" cover opening

**GUB01110\***  
 14" x 18" x 13<sup>1</sup>/<sub>2</sub>"  
 12<sup>1</sup>/<sub>4</sub>" cover opening

**GUB15151**  
 19" x 21" x 16<sup>3</sup>/<sub>8</sub>"  
 16<sup>3</sup>/<sub>4</sub>" cover opening



**GUB04**  
 11" x 12" x 8<sup>11</sup>/<sub>16</sub>"  
 9<sup>5</sup>/<sub>8</sub>" cover opening

**GUB08**  
 8<sup>1</sup>/<sub>2</sub>" x 10" x 6<sup>13</sup>/<sub>16</sub>"  
 7" cover opening

**Ordering Information:**

Junction boxes listed can be furnished with drilled and tapped conduit openings, subject to the limitations of maximum opening, number and spacing shown in Tables 1, 2 and 4.

**To Order:**

**Step 1**

Select the box required from photos at left and dimensional drawings on next page.

**Step 2**

Select standard conduit arrangement from Table 1.

**Step 3**

Determine maximum size conduit opening required from Table 2 (consider conduit opening spacing from Table 4).

**Step 4**

Select appropriate symbol for required drilled and tapped holes from Table 3.

**Example:**

Step 1 – box required GUB06  
 Step 2 – arrangement 108  
 Step 3 – openings – 1<sup>1</sup>/<sub>2</sub>" at "a" and "c"; 1" at "b" and "d".  
 Step 4 – symbols are substituted and written in **clockwise order starting with location "a"**. For this example: FCFC Complete Cat. No. is made up of three parts: Part 1 – box number; Part 2 – arrangement number; Part 3 – symbols for conduit openings. For this example: GUB06-108-FCFC. When no opening is required at a particular location, use symbol "0" (zero).

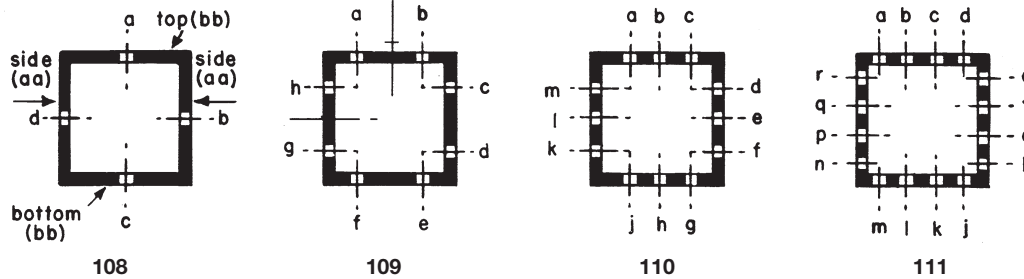
If none of the standard arrangements meet requirements, send a sketch showing junction box number with size and location of each opening desired.

For conduit liner ordering information, see page 860.  
 \*NEMA 4 not available on GUB01110 and GUB15151.  
 †Order suffix SA ATEX. GUB01110 and GUB15151 are rated IP54.  
 ††Please consult Modified Products for conduit entry arrangement options.  
 ‡Dimensions provided are external.  
 §GUB01110 listed for Class I, Div. 1, Groups C & D only in Canada (CSA).

Ordering Information

Table 1

Arrangements of Drilled and Tapped Conduit Openings – For other arrangements, send sketch and complete description



Conduit opening arrangements shown in the illustration should meet the majority of requirements. These GUB junction boxes will be supplied with drilled and tapped openings up to the maximum size and number shown in Table 2.

Table 2

Maximum Size & No. of Drilled & Tapped Holes

Cat. #	Top & Bottom (bb)†				Each Side (aa)†				Back‡			
	1	2	3	4	1	2	3	4	1	2	3	4
<b>Group D*</b>												
GU	1	1			1	1			3	1	3/4	3/4
GUE	2	1			2	1			2	1	3/4	3/4
GUB01	2	1 1/2	3/4		2	1 1/2	1	1/2	1	3/4	3/4	3/4
GUB02	2	2	1	3/4	2	2	1 1/2	1	3/4	3/4	3/4	3/4
GUB06	2	2	1	3/4	2	2	1 1/2	1	2	2	2	2
GUB08	2	2	1	3/4	2	2	1 1/2	1	2	2	2	2
GUB03	2	2	1 1/2	1	2	2	2	1 1/4	4	4	3 1/2	3
GUB04	2	2	1 1/2	1	2	2	2	1 1/4	4	4	3 1/2	3
GUB01110	2	2	2	1 1/2	2	2	2	2	6	6	4	3 1/2
GUB15151	5	4	3 1/2	2 1/2	5	4	4	3	6	6	6	6
<b>Group C▲</b>												
GU	1	1			1	1			3	1	3/4	3/4
GUE	2	1			2	1			2	1	3/4	3/4
GUB01	2	1 1/4	1/2		2	1 1/4	1/2		3/4	3/4	3/4	3/4
GUB02	2	1 1/2	3/4		2	2	1 1/4	1/2	3/4	3/4	3/4	3/4
GUB06	2	1 1/2	3/4		2	2	1 1/4	1/2	2	2	2	1 1/2
GUB08	2	1 1/2	3/4		2	2	1 1/4	1/2	2	2	2	1 1/2
GUB03	2	2	1 1/4	3/4	2	2	1 1/2	1	4	3 1/2	2 1/2	2 1/2
GUB04	2	2	1 1/4	3/4	2	2	1 1/2	1	4	3 1/2	2 1/2	2 1/2
GUB01110	2	2	2	1 1/4	2	2	2	2	6	6	4	3 1/2
GUB15151	5	4	3	2	5	4	3 1/2	2 1/2	6	6	6	5
<b>Group B■</b>												
GU	1	1			1	1			3	1	3/4	3/4
GUE	2	1			2	1			2	1	3/4	3/4
GUB01	2	1 1/4	1/2		2	1 1/4	1/2		3/4	3/4	3/4	3/4
GUB02	2	1 1/2	3/4		2	2	1 1/4	1/2	3/4	3/4	3/4	3/4
GUB06	2	1 1/2	3/4		2	2	1 1/4	1/2	2	2	2	1 1/2
GUB08	2	1 1/2	3/4		2	2	1 1/4	1/2	2	2	2	1 1/2
GUB03	2	2	1 1/4	3/4	2	2	1 1/2	1	4	3 1/2	2 1/2	2 1/2
GUB04	2	2	1 1/4	3/4	2	2	1 1/2	1	4	3 1/2	2 1/2	2 1/2
GUB01110	2	2	2	1 1/4	2	2	2	2	4	4	4	4
GUB15151	4	4	3 1/2	2 1/2	4	4	3 1/2	2 1/2	4	4	4	4

Table 3

Drilled & Tapped Holes

Size	Symbol
1/2	A
3/4	B
1	C
1 1/4	E
1 1/2	F
2	G
2 1/2	H
3	J
3 1/2	K
4	L
none	0

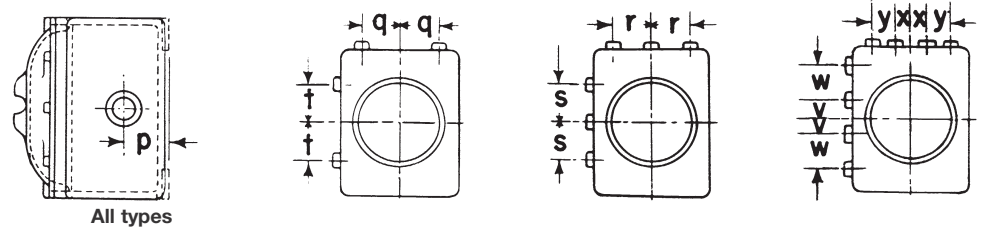
\*Group D chart is based on use of staggered unions. If adjacent unions are desired, additional spacing may be necessary.  
 †Sidewall and top and bottom sizes are based on all openings being in line.  
 ‡Backwall sizes are based on: two per side – diagonal corners; four per side – one in each corner; three per side – triangular pattern with two on adjacent corners on long wall and third in center of opposite long wall.  
 ▲ Conduit seals are required within 1 1/2" of all conduit entrances for Class I, Group C hazardous locations.  
 ■ Conduit seals are required within 1 1/2" of all conduit entrances for Class I, Group B hazardous locations.  
 For conduit liner ordering information, see page 860.  
 For ATEX, please consult Modified Products for conduit entry arrangement options.

1E

# 1E GUE, GUB Junction Boxes

## Dimensions

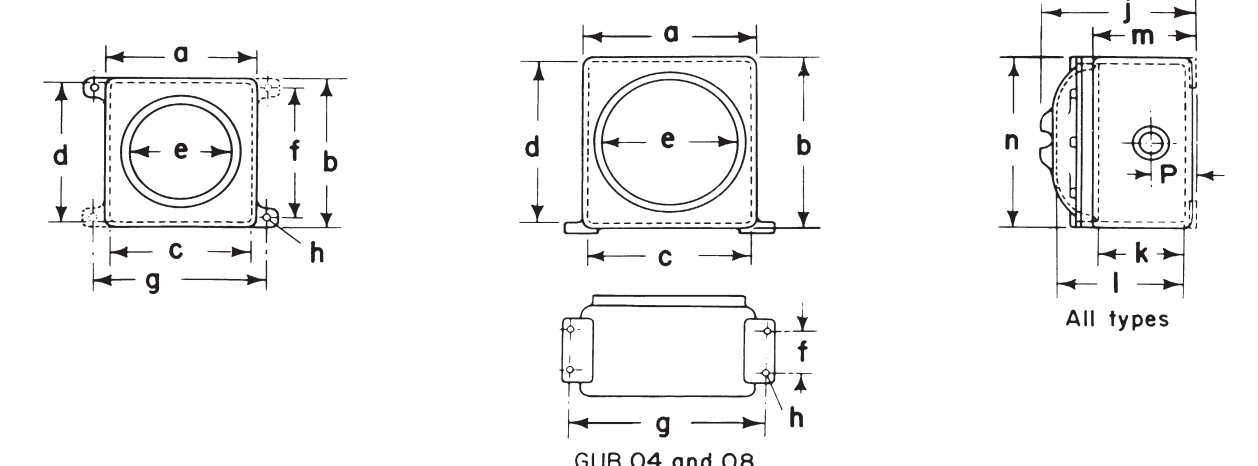
**Table 4**  
Conduit Spacings



2, 3 or 4 entrances for conduit opening spacings on top, bottom or sides, all types.

Type	p	q	r	s	t	v	w	x	y
GU	1 <sup>3</sup> / <sub>8</sub>	1	—	—	1	—	—	—	—
GUE	1 <sup>7</sup> / <sub>8</sub>	1 <sup>1</sup> / <sub>8</sub>	1 <sup>1</sup> / <sub>8</sub>	—	1 <sup>1</sup> / <sub>8</sub>	—	—	—	—
GUB01	2 <sup>1</sup> / <sub>16</sub>	1 <sup>5</sup> / <sub>8</sub>	2 <sup>1</sup> / <sub>8</sub>	2 <sup>1</sup> / <sub>8</sub>	1 <sup>5</sup> / <sub>8</sub>	7 <sup>1</sup> / <sub>8</sub>	1 <sup>3</sup> / <sub>4</sub>	2 <sup>5</sup> / <sub>32</sub>	1 <sup>9</sup> / <sub>16</sub>
GUB02	2 <sup>1</sup> / <sub>16</sub>	1 <sup>21</sup> / <sub>32</sub>	2 <sup>1</sup> / <sub>16</sub>	2 <sup>1</sup> / <sub>16</sub>	1 <sup>21</sup> / <sub>32</sub>	1 <sup>1</sup> / <sub>32</sub>	2 <sup>1</sup> / <sub>16</sub>	7 <sup>1</sup> / <sub>8</sub>	1 <sup>3</sup> / <sub>4</sub>
GUB06	2 <sup>1</sup> / <sub>16</sub>	1 <sup>21</sup> / <sub>32</sub>	2 <sup>5</sup> / <sub>16</sub>	2 <sup>5</sup> / <sub>16</sub>	1 <sup>21</sup> / <sub>32</sub>	1 <sup>1</sup> / <sub>32</sub>	2 <sup>1</sup> / <sub>16</sub>	7 <sup>1</sup> / <sub>8</sub>	1 <sup>3</sup> / <sub>4</sub>
GUB08	2 <sup>1</sup> / <sub>16</sub>	1 <sup>21</sup> / <sub>32</sub>	2 <sup>1</sup> / <sub>16</sub>	2 <sup>1</sup> / <sub>16</sub>	1 <sup>21</sup> / <sub>32</sub>	1 <sup>1</sup> / <sub>32</sub>	2 <sup>1</sup> / <sub>16</sub>	7 <sup>1</sup> / <sub>8</sub>	1 <sup>3</sup> / <sub>4</sub>
GUB03	3 <sup>3</sup> / <sub>8</sub>	2 <sup>1</sup> / <sub>2</sub>	3 <sup>3</sup> / <sub>16</sub>	3 <sup>3</sup> / <sub>16</sub>	3	1 <sup>9</sup> / <sub>32</sub>	2 <sup>5</sup> / <sub>16</sub>	1 <sup>1</sup> / <sub>32</sub>	2 <sup>5</sup> / <sub>16</sub>
GUB04	3 <sup>3</sup> / <sub>8</sub>	1 <sup>21</sup> / <sub>32</sub>	3 <sup>5</sup> / <sub>16</sub>	3 <sup>5</sup> / <sub>16</sub>	3	1 <sup>9</sup> / <sub>32</sub>	2 <sup>5</sup> / <sub>16</sub>	1 <sup>1</sup> / <sub>32</sub>	2 <sup>5</sup> / <sub>16</sub>
GUB01110	4 <sup>3</sup> / <sub>4</sub>	3	4	6	4	2	4	1 <sup>21</sup> / <sub>32</sub>	3 <sup>5</sup> / <sub>16</sub>
GUB15151	6	4	5 <sup>1</sup> / <sub>4</sub>	5 <sup>7</sup> / <sub>8</sub>	4	2	4	2	4

## Dimensions In Inches:



GUB 04 and 08

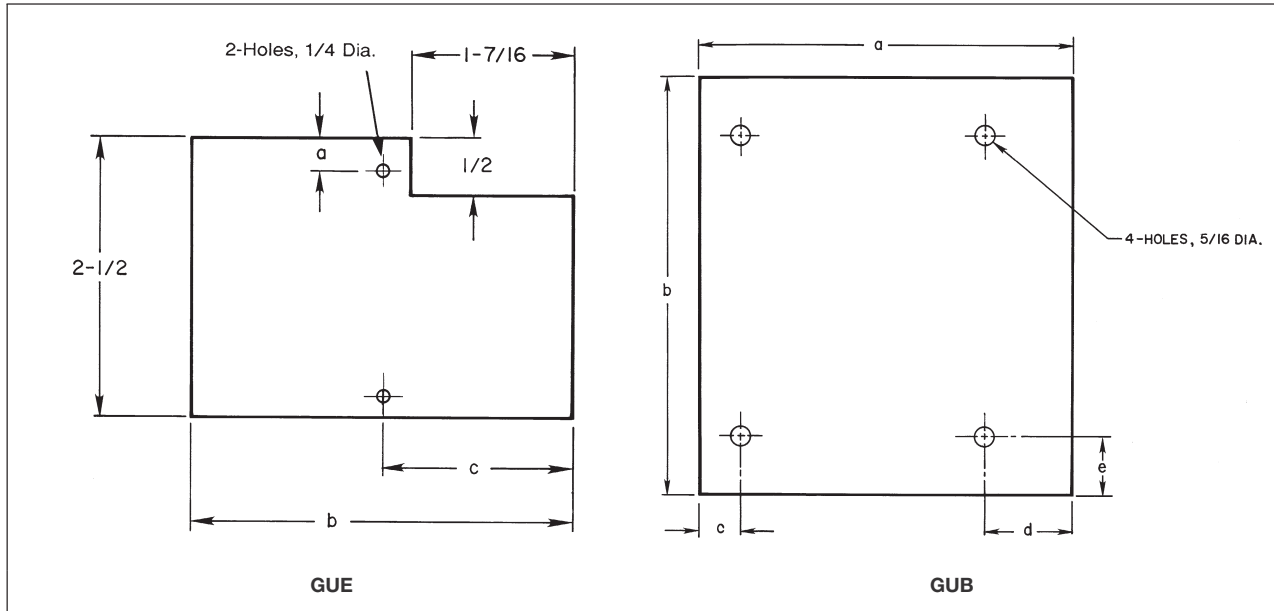
GUB 01, 02, 03, 06, 01110, and 15151. Dotted mounting feet are included on GUB 03, 01110, and 15151 only. GU and GUE are provided with attachable mounting strap.

Type	a	b	c‡	d‡	e	f	g	h	j	k‡	l‡	m	n
GU	4 <sup>15</sup> / <sub>16</sub>	4 <sup>15</sup> / <sub>16</sub>	3 <sup>13</sup> / <sub>16</sub>	3 <sup>13</sup> / <sub>16</sub>	3 <sup>3</sup> / <sub>8</sub>	—	—	—	4 <sup>1</sup> / <sub>8</sub>	1 <sup>1</sup> / <sub>16</sub>	3 <sup>7</sup> / <sub>16</sub>	2 <sup>3</sup> / <sub>8</sub>	4 <sup>1</sup> / <sub>8</sub>
GUE	5 <sup>5</sup> / <sub>16</sub>	5 <sup>5</sup> / <sub>16</sub>	4 <sup>3</sup> / <sub>16</sub>	4 <sup>3</sup> / <sub>16</sub>	3 <sup>3</sup> / <sub>8</sub>	—	—	—	5 <sup>3</sup> / <sub>8</sub>	2 <sup>1</sup> / <sub>4</sub>	3 <sup>7</sup> / <sub>16</sub>	3 <sup>1</sup> / <sub>2</sub>	4 <sup>1</sup> / <sub>8</sub>
GUB01	6 <sup>1</sup> / <sub>2</sub>	7	6 <sup>1</sup> / <sub>2</sub>	5 <sup>5</sup> / <sub>8</sub>	5 <sup>5</sup> / <sub>8</sub>	5 <sup>3</sup> / <sub>4</sub>	7 <sup>1</sup> / <sub>2</sub>	1 <sup>13</sup> / <sub>32</sub>	5 <sup>3</sup> / <sub>4</sub>	3 <sup>1</sup> / <sub>16</sub>	4 <sup>1</sup> / <sub>2</sub>	4 <sup>1</sup> / <sub>16</sub>	6 <sup>1</sup> / <sub>4</sub>
GUB02	8	10	7 <sup>1</sup> / <sub>8</sub>	9 <sup>1</sup> / <sub>8</sub>	7	8 <sup>3</sup> / <sub>4</sub>	9	1 <sup>13</sup> / <sub>32</sub>	5 <sup>5</sup> / <sub>8</sub>	3	4 <sup>5</sup> / <sub>8</sub>	4 <sup>1</sup> / <sub>16</sub>	7 <sup>3</sup> / <sub>4</sub>
GUB06	8 <sup>1</sup> / <sub>2</sub>	10	7 <sup>3</sup> / <sub>8</sub>	8 <sup>7</sup> / <sub>8</sub>	7	8 <sup>3</sup> / <sub>4</sub>	9 <sup>1</sup> / <sub>2</sub>	7 <sup>1</sup> / <sub>16</sub>	7 <sup>3</sup> / <sub>8</sub>	4 <sup>1</sup> / <sub>4</sub>	5 <sup>19</sup> / <sub>16</sub>	5 <sup>1</sup> / <sub>4</sub>	7 <sup>3</sup> / <sub>4</sub>
GUB08	8 <sup>1</sup> / <sub>2</sub>	10	7 <sup>3</sup> / <sub>8</sub>	8 <sup>7</sup> / <sub>8</sub>	7	2 <sup>1</sup> / <sub>2</sub>	9 <sup>5</sup> / <sub>8</sub>	7 <sup>1</sup> / <sub>16</sub>	7 <sup>3</sup> / <sub>8</sub>	4 <sup>1</sup> / <sub>4</sub>	5 <sup>19</sup> / <sub>16</sub>	5 <sup>1</sup> / <sub>4</sub>	7 <sup>3</sup> / <sub>4</sub>
GUB03	11	12	9 <sup>3</sup> / <sub>4</sub>	10 <sup>3</sup> / <sub>4</sub>	9 <sup>5</sup> / <sub>8</sub>	10 <sup>3</sup> / <sub>4</sub>	12 <sup>1</sup> / <sub>8</sub>	7 <sup>1</sup> / <sub>16</sub>	8 <sup>13</sup> / <sub>16</sub>	5	7 <sup>3</sup> / <sub>8</sub>	6 <sup>5</sup> / <sub>8</sub>	11
GUB04	11	12	9 <sup>3</sup> / <sub>4</sub>	10 <sup>3</sup> / <sub>4</sub>	9 <sup>5</sup> / <sub>8</sub>	3 <sup>1</sup> / <sub>2</sub>	12 <sup>1</sup> / <sub>8</sub>	7 <sup>1</sup> / <sub>16</sub>	8 <sup>11</sup> / <sub>16</sub>	5	7 <sup>3</sup> / <sub>8</sub>	6 <sup>1</sup> / <sub>2</sub>	11
GUB01110	14 <sup>1</sup> / <sub>16</sub>	18 <sup>1</sup> / <sub>16</sub>	13	17	12 <sup>1</sup> / <sub>4</sub>	16	16	1	13 <sup>1</sup> / <sub>2</sub>	6 <sup>13</sup> / <sub>16</sub>	10 <sup>3</sup> / <sub>4</sub>	9 <sup>3</sup> / <sub>4</sub>	14
GUB15151	20 <sup>7</sup> / <sub>8</sub>	18 <sup>7</sup> / <sub>8</sub>	19 <sup>5</sup> / <sub>8</sub>	17 <sup>5</sup> / <sub>8</sub>	16 <sup>3</sup> / <sub>4</sub>	18	21	1	16 <sup>5</sup> / <sub>8</sub>	9	13 <sup>3</sup> / <sub>16</sub>	11 <sup>3</sup> / <sub>8</sub>	18

‡ Inside dimensions.  
For conduit liner ordering information, see page 860

## Mounting Plate Dimensions

**Table 5**  
Mounting Plate Dimensions



Box Cat. #	Mounting Plate Kit Cat. #	a	b	c	d	e
GU	GU MPK1	9/32	3 3/8	1 43/64	—	—
GUE	GUE MP K1	9/32	3 3/8	1 43/64	—	—
GUB01	GUB MP01	4 3/8	5	3/8	1	1
GUB02	GUB MP02	5 9/16	6 1/4	5/8	1 5/16	7/8
GUB03	GUB MP03	8	9	15/16	1 9/16	1 1/2
GUB04	GUB MP03	8	9	15/16	1 9/16	1 1/2
GUB06	GUB MP02	5 9/16	6 1/4	5/8	1 5/16	7/8
GUB08	GUB MP02	5 9/16	6 1/4	5/8	1 5/16	7/8
GUB01110	GUB MP01110	8 3/4	12	7/16	1 7/16	1 3/4
GUB15151	GUB MP15151	14	14	1 5/8	1 5/8	1 5/8

For conduit liner ordering information, see page 860



# 1E Threaded Covers for GUB Junction Boxes

Cl. I, Div. 1 and 2, Groups B†, C, D  
 Cl. II, Div. 1, Groups E, F, G  
 Cl. II, Div. 2, Groups F, G  
 Cl. III  
 NEMA 7B‡CD, 9EFG

Explosionproof  
 Dust-Ignitionproof  
 Raintight  
 Wet Locations  
 Watertight

## Applications:

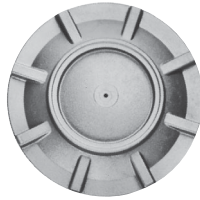
GUB and EPC threaded covers are used with GUB boxes in control systems in hazardous areas:

- Indoors and outdoors
- In three categories:

Flat – for normal use; furnished with standard GUB boxes

Glass window – to provide visibility of meter indications when used to enclose meters

Domed – for increasing volume of GUB to make it easier to splice and pull large conductors



GUB flat cover



GUB glass cover



GUB dome cover

## Features:

- Domed – more suitable for use when splices of heavy conductors are made and enclosed, since the conductors may be pulled in with the ends outside the box. After the splices are made, they do not have to be crowded back into the box
- Glass window – has maximum diameter glass to give best visibility. In selecting, the diameter of the meter face should match or be slightly smaller than window diameter

## Certifications and Compliances:

- NEC: UL Standard 1203  
 GUB0101, -0102, -0103, -714, -7110, EPC2110, EPC2151  
 Class I, Division 1 and 2, Groups B, C, D  
 Class II, Division 1, Groups E, F, G  
 Class II, Division 2, Groups F, G  
 Class III

All other covers:

- Class I, Division 1 and 2, Group D
- Class II, Division 1, Groups E, F, G
- Class II, Division 2, Groups F, G
- Class III

- CEC: CSA Standard C22.2 No. 30  
 Class I, Division 1 and 2, Group D  
 Class II, Division 1, Groups E, F, G  
 Class II, Division 2, Groups F, G  
 Class III

GUB covers are suitable for use in hazardous areas only when used with appropriate GUB series enclosures.

## Standard Materials:

- Copper-free aluminum

## Standard Finishes:

- Natural

† Bodies are grouped by size of cover opening and take any of the covers shown in the group.

‡ Check certifications and compliances for specific hazardous area ratings for each catalog #.

For conduit liner ordering information, see page 860.

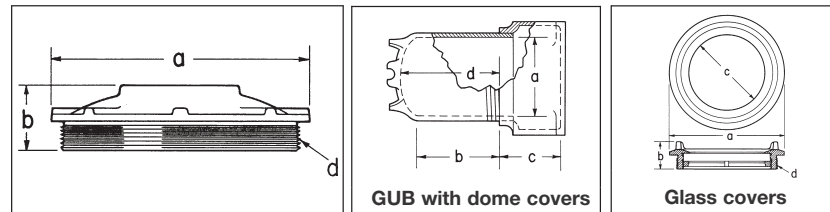
## Ordering Information

Body † Size	Flat Cover Cat. #	Glass Window Cover Cat. #	Dome Cover	
			Cat. #	Nominal Depth
GUB01	GUB0101	GUB0110	GUB714 GUB7110	4 10
GUB02 GUB06 GUB08	GUB0102	GUB0108	GUB726	6
GUB03 GUB04	GUB0103	GUB0109	GUB738 GUB7316	10 17
GUB01110	EPC2110		EPC2115	5
GUB15151	EPC2151			

Specify body and conduit openings in normal manner (see page 723) and state Cat. No. of cover required.

## Dimensions

In Inches:



## Flat Covers

Cat. #	a	b	Thread Size d
GUB0101	6 <sup>5</sup> / <sub>16</sub>	1 <sup>23</sup> / <sub>32</sub>	5 <sup>8</sup> / <sub>8</sub> - 12
GUB0102	7 <sup>13</sup> / <sub>16</sub>	1 <sup>19</sup> / <sub>16</sub>	7 <sup>1</sup> / <sub>8</sub> - 12
GUB0103	11 <sup>1</sup> / <sub>16</sub>	2 <sup>3</sup> / <sub>4</sub>	9 <sup>3</sup> / <sub>4</sub> - 8
EPC2110	12 <sup>7</sup> / <sub>8</sub>	5 <sup>5</sup> / <sub>32</sub>	12.660 - 8
EPC2151	17	5 <sup>5</sup> / <sub>16</sub>	16.910 - 8

## Glass Covers

Cat. #	a	b	Window Opening c	Thread Size d
GUB0110	6 <sup>5</sup> / <sub>16</sub>	1 <sup>19</sup> / <sub>16</sub>	3 <sup>3</sup> / <sub>8</sub>	5 <sup>8</sup> / <sub>8</sub> - 12
GUB0108	7 <sup>13</sup> / <sub>16</sub>	2 <sup>1</sup> / <sub>16</sub>	4 <sup>3</sup> / <sub>4</sub>	7 <sup>1</sup> / <sub>8</sub> - 12
GUB0109	11 <sup>1</sup> / <sub>16</sub>	1 <sup>15</sup> / <sub>16</sub>	6 <sup>13</sup> / <sub>16</sub>	9 <sup>3</sup> / <sub>4</sub> - 8

## Dome Covers

Cat. #	a	b	For Dimensions C				d
			GUB02	GUB06	GUB08	all others	
GUB714	5 <sup>1</sup> / <sub>16</sub>	2 <sup>1</sup> / <sub>4</sub>				4 <sup>1</sup> / <sub>16</sub>	4
GUB7110	5 <sup>1</sup> / <sub>16</sub>	9 <sup>1</sup> / <sub>8</sub>				4 <sup>3</sup> / <sub>16</sub>	10 <sup>3</sup> / <sub>8</sub>
GUB726	6 <sup>3</sup> / <sub>8</sub>	5 <sup>1</sup> / <sub>8</sub>	4 <sup>1</sup> / <sub>8</sub>	5 <sup>1</sup> / <sub>8</sub>	5 <sup>1</sup> / <sub>8</sub>		6 <sup>3</sup> / <sub>4</sub>
GUB738	8 <sup>7</sup> / <sub>8</sub>	8				6 <sup>5</sup> / <sub>8</sub>	10 <sup>1</sup> / <sub>2</sub>
GUB7316	8 <sup>7</sup> / <sub>8</sub>	15 <sup>1</sup> / <sub>4</sub>				6 <sup>5</sup> / <sub>8</sub>	17 <sup>3</sup> / <sub>8</sub>
EPC2115	11 <sup>9</sup> / <sub>16</sub>	3 <sup>3</sup> / <sub>16</sub>				8 <sup>1</sup> / <sub>2</sub>	6 <sup>5</sup> / <sub>16</sub>
EPC21116	11 <sup>9</sup> / <sub>16</sub>	14 <sup>3</sup> / <sub>16</sub>				8 <sup>1</sup> / <sub>2</sub>	17 <sup>9</sup> / <sub>16</sub>