

EBBR Series Interlocked Arktite® Receptacles with Circuit Breakers

30, 60, 100, 150 Amp Interlocked Receptacles

Cl. I, Div. 1 and 2, Groups B, C, D
Cl. II, Div. 1 and 2, Groups F†, G
Cl. III
NEMA 3, 3R, 7BCD, 9FG, 12
Explosionproof

Dust-Ignitionproof
Raintight
Wet Locations

4P

Applications:

EBBR interlocked receptacles with circuit breakers are used:

- As a service outlet for portable equipment – indoors or outdoors – in damp, wet, corrosive locations, without the need for a protective shelter.
- In areas which are hazardous due to flammable vapors, gases or combustible dust, e.g., refineries, chemical plants, and other processing and handling facilities of a hazardous nature.
- In areas where frequent washdowns are necessary or where heavy rain or water spray is prevalent.

Features:

- Rugged, corrosion resistant, cast copper-free aluminum construction.
- Accepts compatible Arktite plug of same rating and configuration.
- Mechanical interlock mechanism for dead front construction.
- Receptacles are mechanically interlocked with circuit breakers to provide disconnect means, short circuit protection and thermal time delay overload protection.
- A spring door receptacle, located at the bottom of the unit, is mechanically interlocked with the circuit breaker operating mechanism for safe and dependable operation.
- Plug and receptacle contacts cannot be made or broken under load. The circuit breaker cannot be closed until the plug is fully inserted and the plug cannot be withdrawn unless the breaker is de-energized.
- Operating handles can be padlocked in either “ON” or “OFF” positions. Breakers are trip-free of the handles and will open under short circuit or overload even if the handle is locked in the “ON” position.
- Component operating handles located through the right side wall of the body permits visual confirmation of correct component assembly and operation.
- Total compliance to the wiring and room requirements of the National Electrical Code®.
- Semi-clamshell enclosure design, with an external machined flat joint flamepath between body and cover makes interior components easily accessible.
- Minimum enclosure-to-enclosure spacing with little interference between the opened cover and an adjacent enclosure.
- Copper-free aluminum hinges allow the cover to swing well out of the way.
- Stainless steel, quick release, captive, hex head cover bolts. Stainless steel springs provide clear indication cover bolts are fully retracted from body.
- Versatile, internal operating mechanisms allow for field adjustment to accommodate popular manufacturers’ breakers.



- Simple, straightforward installation of breaker on pre-drilled mounting plate within enclosure.
- Neoprene cover gasket permanently attached to the cover seals out moisture.
- Bodies have top drilled and tapped entrance for power conduit (1½”) plus one at the top and one at the bottom for a breather and drain (½”). Breather and drain entrances are plugged.
- Tap-on mounting feet.

Certifications and Compliances:

- NEC:
 - Class I, Division 1 and 2, Groups B, C, D
 - Class II, Division 1 and 2, Groups F†, G
 - Class III
- NEMA: 3, 3R, 7BCD, 9FG, 12
- UL Standard: 1203

Standard Materials:

- Body, cover, and receptacle – copper-free aluminum
- Contact insulator (receptacles and plugs) – fiberglass-reinforced polyester
- Receptacle contacts – leaded red brass
- Pressure contacts (plugs) – brass
- Operating handle – copper-free aluminum
- Operating shafts and bushings – stainless steel
- Interior parts – heavy gauge sheet steel, zinc plated
- Cover bolts, washer and retractile springs – stainless steel

Standard Finishes:

- Copper-free aluminum – natural
- Fiberglass-reinforced polyester – natural (red)
- Brass – natural
- Leaded red brass – electro-tin-plated
- Stainless steel – natural

Electrical Rating Ranges:

- Circuit breakers – 20–150 amps
- Receptacles – 30, 60, 100, 150 amp
- 3-wire, 4-pole configuration

Options:

The following options are available from the factory by adding suffix to the Cat. #:

Description	Suffix
• Receptacle interior rotated 22½° to right (viewed from face) and plug changed to match.....	S4
• Group B Breather and Drain.....	S756V
• External Powder Epoxy Finish.....	S752
• Aux. switch on circuit breaker, 1A & 1B contacts.....	S784
• Aux. switch on circuit breaker, 2A & 2B contacts.....	S785

Grounding:

- EBBR interlocked receptacles and matching plugs are provided with an extra grounding pole for attaching a grounding wire. In addition, direct connection is provided between receptacle and metallic plug and the grounding pole. If a compatible non-metallic plug made of Krydon® fiberglass-reinforced polyester material is used, grounding is accomplished through the extra grounding pole only. If a separate grounding wire is not installed in the enclosure, grounding is accomplished through the conduit system.

†Caution: To reduce the risk of ignition of hazardous atmospheres, do not use plugs or receptacles in Class II, Group F locations that contain electrically conductive dusts.

Crouse-Hinds

by **E•T•N**

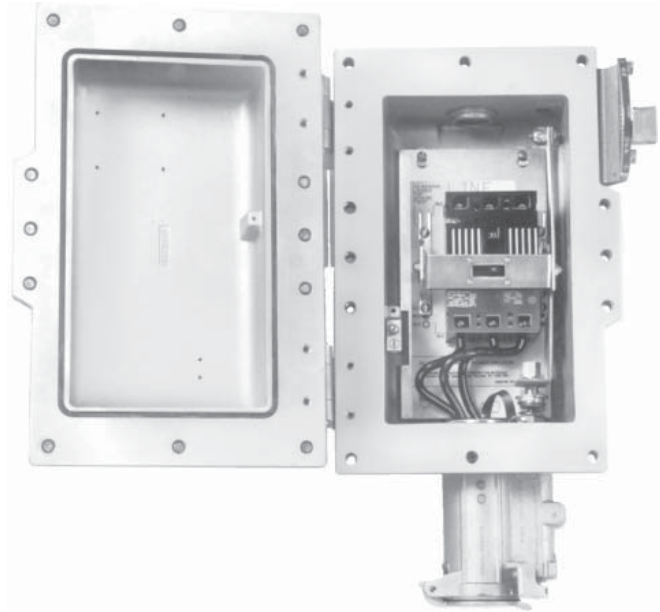
4P EBBR Series Interlocked Arktite® Receptacles with Circuit Breakers

30, 60, 100, 150 Amp Interlocked Receptacles

Cl. I, Div. 1 and 2, Groups B, C, D Dust-Ignitionproof
 Cl. II, Div. 1 and 2, Groups F†, G Raintight
 Cl. III Wet Locations
 NEMA 3, 3R, 7BCD, 9FG, 12 Explosionproof

Interchangeability of Plugs with Other Hazardous and Non-hazardous Location Receptacles:

- Plugs listed for use with EBBR receptacles are standard Arktite APJ/NPJ plugs. Standard APJ/NPJ and also CPH plugs of the same rating, style and number of poles may be used with EBBR receptacles, as well as with DBR, EPC and EPCB receptacles listed in Section 4P of the catalog.
- As a result, portable equipment suitable for the location and equipped with the proper plug can be used with AR/NR series receptacles for non-hazardous locations; EBBR, EPC and EPCB receptacles for Class I and II hazardous locations; and DR and DBR receptacles for Class II hazardous locations.



Complete EBBR receptacle with circuit breaker installed.

Ordering Information:

Receptacle With Spring Door Housing	Hub Size (In.)	Circuit Breaker		Without Circuit Breaker Cat. #	w/Cutler-Hammer Breaker	w/G.E. Breaker	w/Square D Breaker
		Rating	Amps				
30 Amp 3-wire 4-pole Style 2	1½	3-pole	20	EBBRA304	EBBRA304 WT20 3	EBBRA304 TT20 3	EBBRA304 DT20 3
		480VAC+	30	EBBRA304	EBBRA304 WT30 3	EBBRA304 TT30 3	EBBRA304 DT30 3
		or	40	EBBRA304	EBBRA304 WT40 3*	EBBRA304 TT40 3*	EBBRA304 DT40 3*
		250 VDC	50	EBBRA304	EBBRA304 WT50 3*	EBBRA304 TT50 3*	EBBRA304 DT50 3*
60 Amp 3-wire 4-pole Style 2	1½	3-pole	50	EBBRA604	EBBRA604 WT50 3	EBBRA604 TT50 3	EBBRA604 DT50 3
		480VAC+	60	EBBRA604	EBBRA604 WT60 3	EBBRA604 TT60 3	EBBRA604 DT60 3
		or	70	EBBRA604	EBBRA604 WT70 3*	EBBRA604 TT70 3*	EBBRA604 DT70 3*
		250 VDC	90	EBBRB604	EBBRB604 WT90 3*	EBBRB604 TT90 3*	EBBRB604 DT90 3*
			100	EBBRB604	EBBRB604 WT100 3*	EBBRB604 TT100 3*	EBBRB604 DT100 3*
100 Amp 3-wire 4-pole Style 2	1½	3-pole	50	EBBRA104	EBBRA104 WT50 3	EBBRA104 TT50 3	EBBRA104 DT50 3
		480VAC+	60	EBBRA104	EBBRA104 WT60 3	EBBRA104 TT60 3	EBBRA104 DT60 3
		or	70	EBBRA104	EBBRA104 WT70 3	EBBRA104 TT70 3	EBBRA104 DT70 3
		250 VDC	90	EBBRB104	EBBRB104 WT90 3	EBBRB104 TT90 3	EBBRB104 DT90 3
			100	EBBRB104	EBBRB104 WT100 3	EBBRB104 TT100 3	EBBRB104 DT100 3
150 Amp‡ 3-wire 4-pole Style 2	1½	3-pole	100	EBBRB154	EBBRB154 WT100 3		
		480VAC+	125	EBBRB154	EBBRB154 WT125FDB 3		
		or	150	EBBRB154	EBBRB154 WT150FDB 3		
		250 VDC					

+Enclosures with 600 Volt circuit breakers are available. Add suffix "FDB" Ex: EBBRA304 – WT20FDB-3.

*Circuit breaker trip rating may exceed receptacle rating for welding equipment applications only, as higher trip rating may not protect wiring.

‡150A also available in A size enclosure for areas with space constraints (ie EBBRA154).

†Caution: To reduce the risk of ignition of hazardous atmospheres, do not use plugs or receptacles in Class II, Group F locations that contain electrically conductive dusts.

EBBR Series Interlocked Arktite® Receptacles with Circuit Breakers

30, 60, 100, 150 Amp Interlocked Receptacles

Cl. I, Div. 1 and 2, Groups B, C, D
 Cl. II, Div. 1 and 2, Groups Ft, G
 Cl. III
 NEMA 3, 3R, 7BCD, 9FG, 12
 Explosionproof

Dust-Ignitionproof
 Raintight
 Wet Locations

4P

Arktite®

Amps	Cable O.D. Range	3-wire, 4-pole Cat. #	
		Aluminum	Krydon material
30	0.60 to 1.20	APJ3485	NPJ3483 NPJ3484
	0.55 to 0.70		
	0.70 to 0.85		
60	0.75 to 1.45	APJ6485	NPJ6484 NPJ6485
	0.75 to 1.07		
	1.07 to 1.35		
100	1.00 to 1.70	APJ10487	NPJ10486 NPJ10487
	0.93 to 1.21		
	1.21 to 1.50		
150	0.875 to 1.70	APJ15487	

APJ and NPJ Arktite Plugs



Aluminum APJ series



Krydon® material NPJ series (non-metallic) (30-100A only)

APJ, CCP and NPJ series plugs may be used with EBBR series interlocked receptacles.

PowerMate™

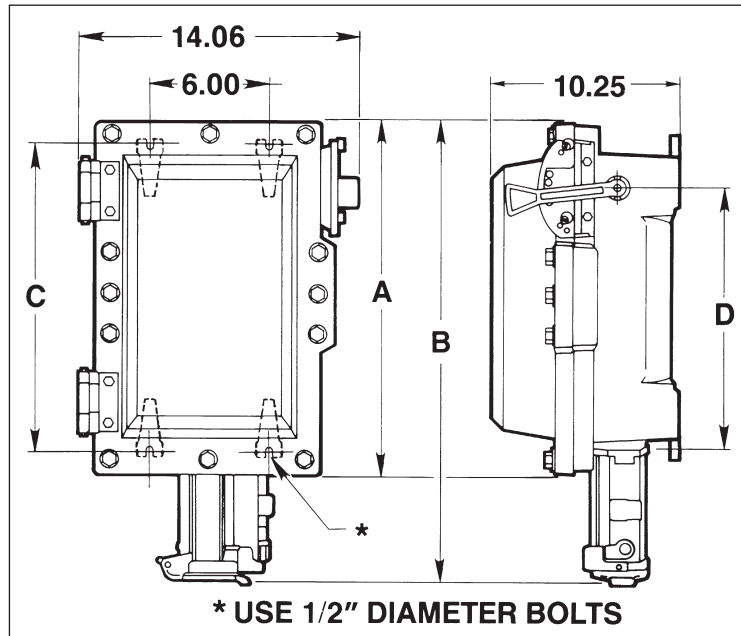
Amps	Cable O.D. Range	3-wire, 4-pole Cat. #	
		Aluminum	
30	0.340 to 1.375	CCP3034BC	
60	0.440 to 1.375	CCP6034BC	
100	0.875 to 1.906	CCP1034BC	
150	0.875 to 1.906	CCP15034CD	
	1.250 to 2.190	CCP15034DE	



CCP15034CD
CCP15034DE

Dimensions

In Inches:



EBBRA

Amps	A	B	C	D
30	19.40	22.85	17.25	14.50
60	19.40	23.95	17.25	14.50
100	19.40	24.70	17.25	14.50
150	19.40	24.70	17.25	14.50

EBBRB

A	B	C	D
26.90	31.45	24.75	22.00
26.90	32.20	24.75	22.00
26.90	32.20	24.75	22.00

†Caution: To reduce the risk of ignition of hazardous atmospheres, do not use plugs or receptacles in Class II, Group F locations that contain electrically conductive dusts.

Crouse-Hinds

by E.T.N

4P