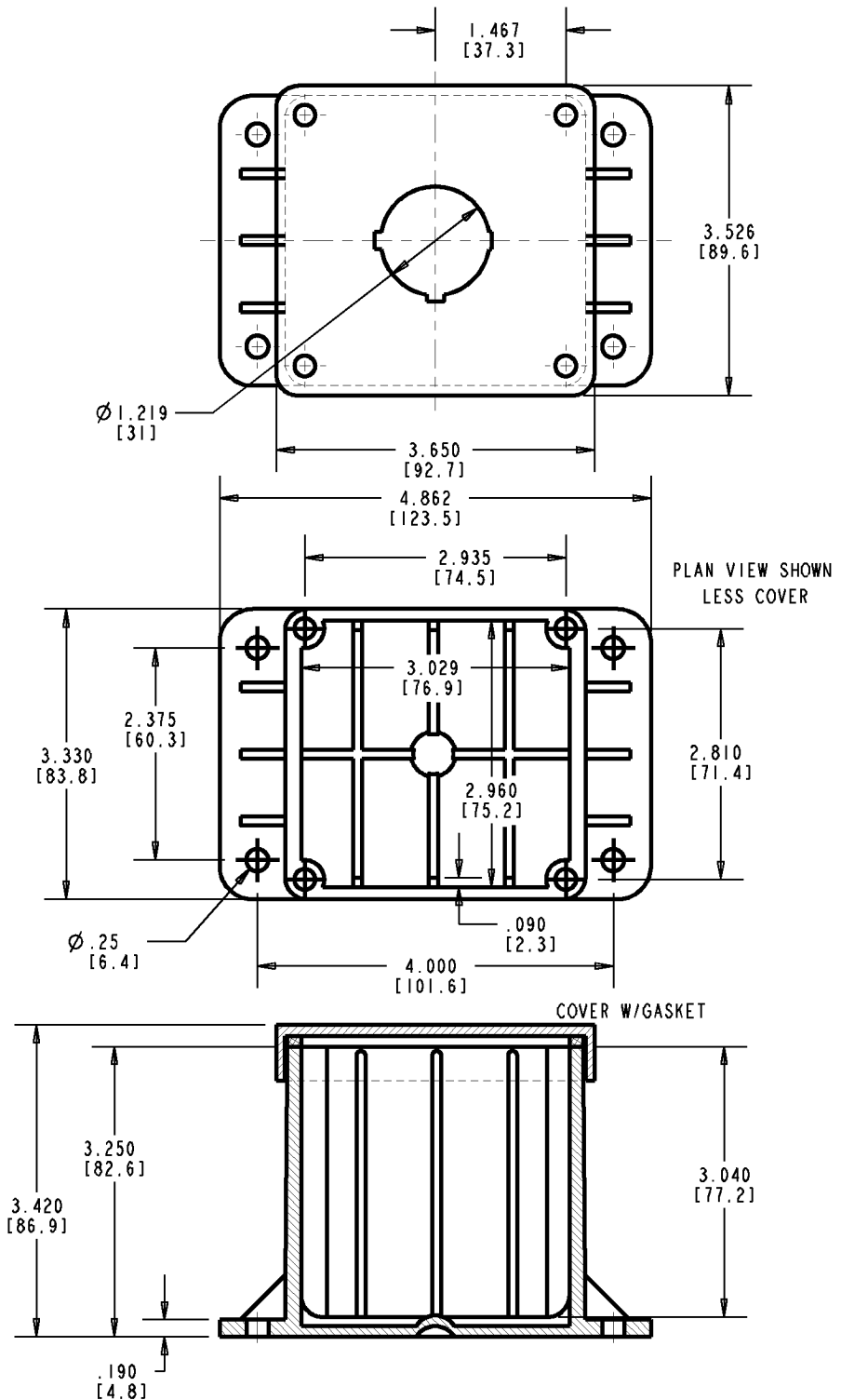


Carlton®



PART NO.	DESCRIPTION
CP100N	ONE BUTTON
CP100NB	BLANK COVER

GENERAL NOTES

- ALL DIMENSIONS ARE FOR REFERENCE ONLY.
- DIMENSIONS IN BRACKETS [] ARE IN METRIC UNITS.

REVISIONS

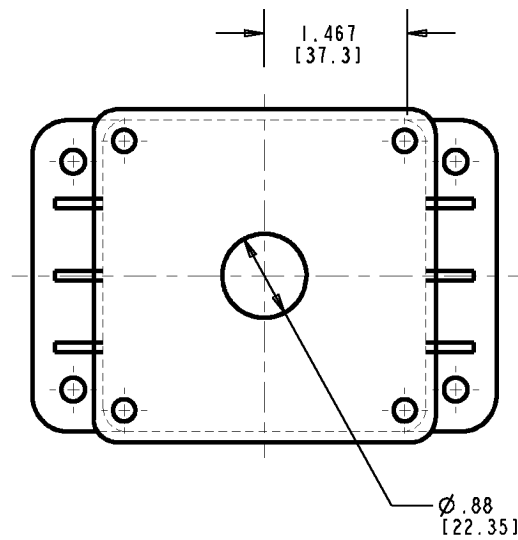
*** SEE ERN (****) FOR APPROVAL SIGNATURES & RELEASE DATE. PROJECT NO: ****

Thomas & Betts
www.tnb.com

DESCRIPTION: **PUSH BUTTON ENCLOSURE**

ORIGINAL PROJECT NO / (ERN NO) / ()	SHEET NO: 1 OF 2	REV. NO: C	DRAWING NO: WSD-AC01670
---	---------------------	---------------	----------------------------

Carlton®



P/N PX0010

GENERAL NOTES

1. ALL DIMENSIONS ARE FOR REFERENCE ONLY.
2. DIMENSIONS IN BRACKETS [] ARE IN METRIC UNITS.

REVISIONS

*** SEE ERN (****) FOR APPROVAL SIGNATURES & RELEASE DATE.
PROJECT NO: ****

Thomas & Betts
www.tnb.com

DESCRIPTION: **PUSH BUTTON ENCLOSURE**

ORIGINAL PROJECT NO / (ERN NO)
/ ()

SHEET NO:
2 OF 2

REV. NO:
C

DRAWING NO:
WSD-AC01670