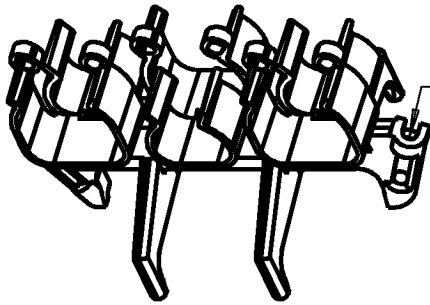
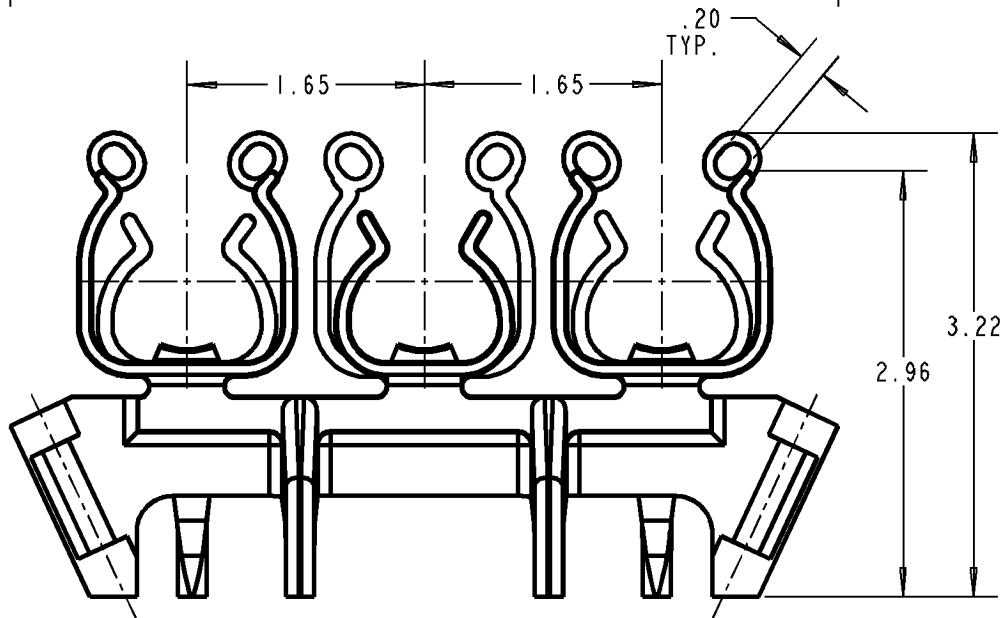
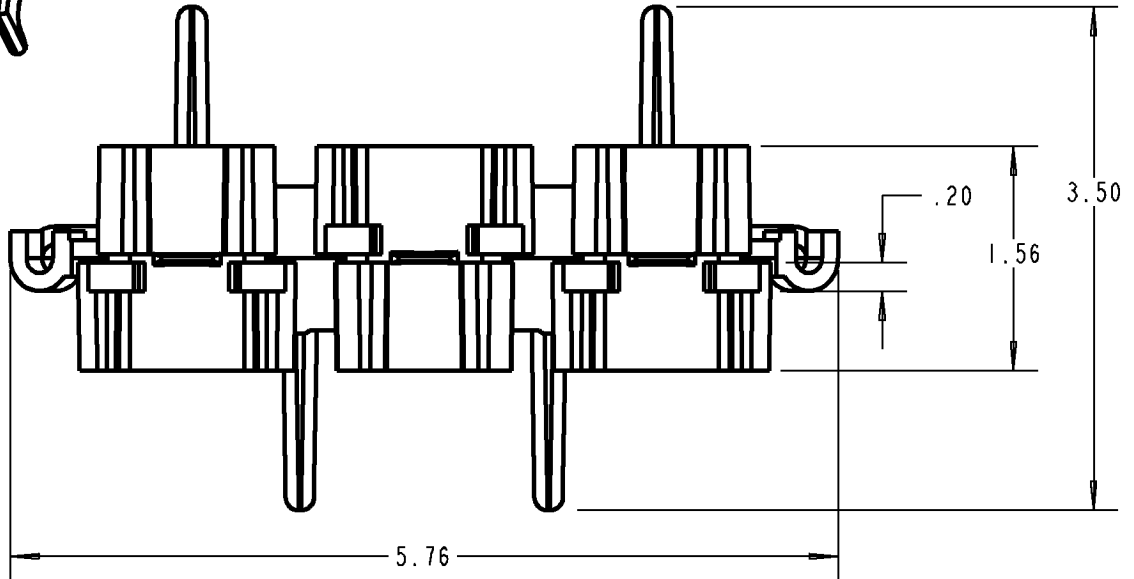


Carlton®



MOUNTING HOLE
FOR #16 D NAIL
OR
#6-8x2 1/2" LG
DECK SCREW
(2 REQUIRED)



(3) POSITION ENT BRACKET
EACH POSITION RETAINS EITHER 1/2", 3/4" OR 1" ENT CONDUIT

P/N A293DEF

GENERAL NOTES

1. ALL DIMENSIONS ARE FOR REFERENCE ONLY.
2. DIMENSIONS IN BRACKETS [] ARE IN METRIC UNITS.

REVISIONS

*** SEE ERN (****) FOR APPROVAL SIGNATURES & RELEASE DATE.
PROJECT NO: ****

Thomas & Betts
www.tnb.com

DESCRIPTION:

ENT SUPPORT BRIDGE

ORIGINAL PROJECT NO / (ERN NO)

/ ()

SHEET NO:

1 OF 1

REV. NO:

B

DRAWING NO:

WSD-AC04514