

STAINLESS STEEL FLAT WASHERS

Features:

- Manufactured in type 316 stainless steel to meet any stringent sanitary condition
- Polished with standard “brite” finish to increase corrosion resistance and aesthetic appearance
- Provides excellent strength and durability to service a variety of installation requirements
- No package qty. required

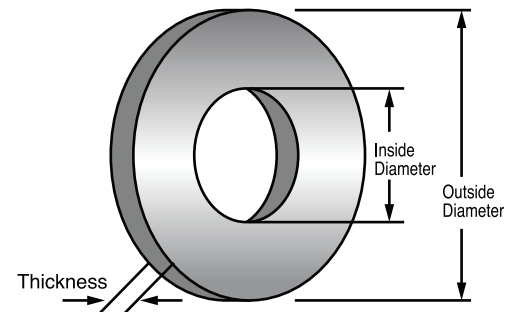
Applications:

Calbrite’s stainless steel Flat Washers are designed to share the load, and act as a spacer, spring, shim or seat for various hardware components.



Industries Commonly Served:

- Food & Beverage Production
- Marine & Coastal Facilities
- Chemical Plants
- Water & Wastewater Treatment
- Pharmaceuticals & Cosmetics
- Refining & Extraction Sites
- Petrochemical Operations
- Pulp & Paper Mills
- Along with other corrosive environments



Part Number	Size (in)	Outside Diameter (in)	Inside Diameter (in)	Thickness (in)	Weight each per (lb)
S60200WA00	¼	0.622	0.250	0.045	0.005
S60300WA00	⅜	0.870	0.375	0.050	0.010
S60500WA00	½	1.250	0.520	0.060	0.020
S60600WA00	⅝	1.500	0.650	0.078	0.030

All dimensions are for informational purposes only *Tolerances +/- 5%



For more info visit atkore.com/calbrite

