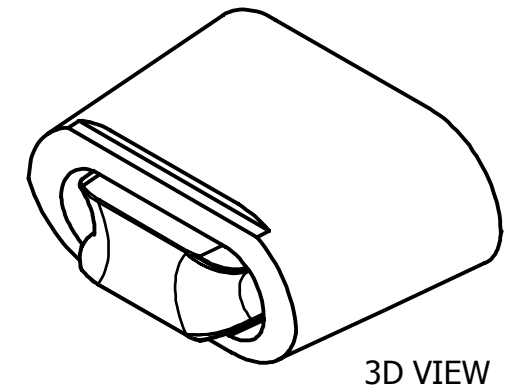
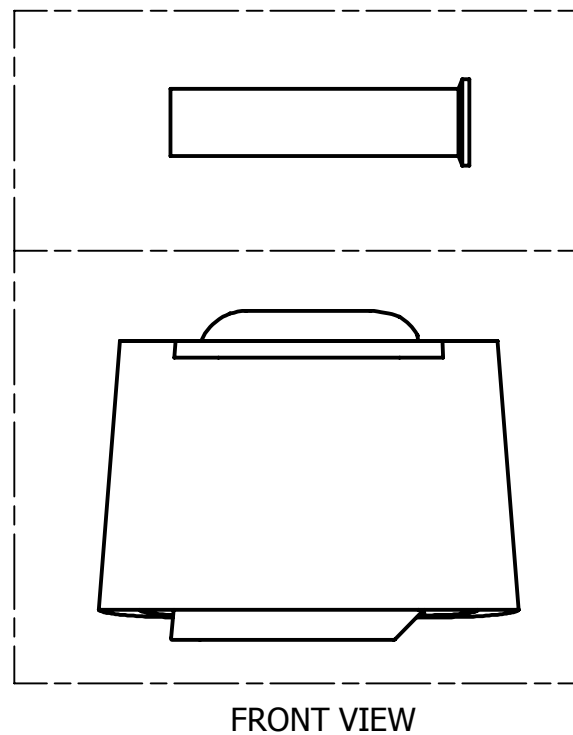
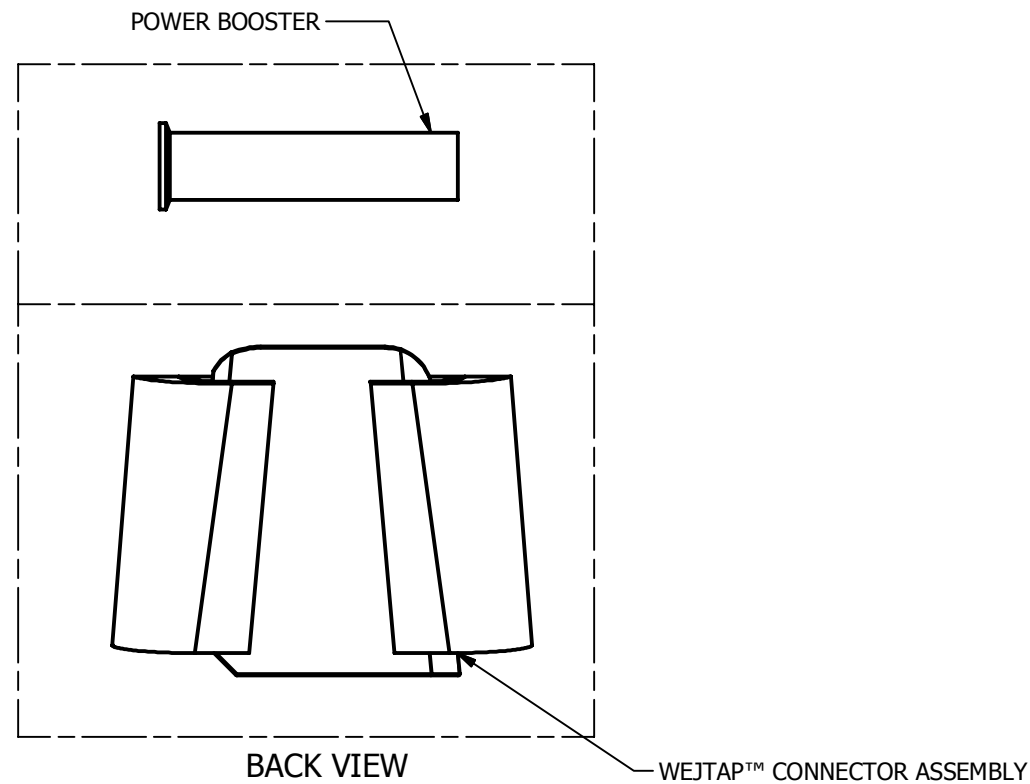


FINISHED CATALOG NUMBER	WITHOUT PB CATALOG NUMBER	CONNECTORS QUANTITY PER BOX	BOX SIZE INSIDE DIMENSIONS LENGTH X WIDTH X HEIGHT	POWER BOOSTER CATALOG NUMBER
WCR29PB	WCR29	25	6.88 X 5.88 X 6.38	WPBR-A 25 PER BOX
WCR30PB	WCR30			
WCR31PB	WCR31			
WCR32PB	WCR32			
WCR33PB	WCR33			
WCR34PB	WCR34			
WCR35PB	WCR35			
WCR36PB	WCR36			
WCR37PB	WCR37			

REV	DATE	DESCRIPTION	ECO	BY	C'H'K.
A	11/20/2012	DRAWING RELEASED	29217	PS	MB



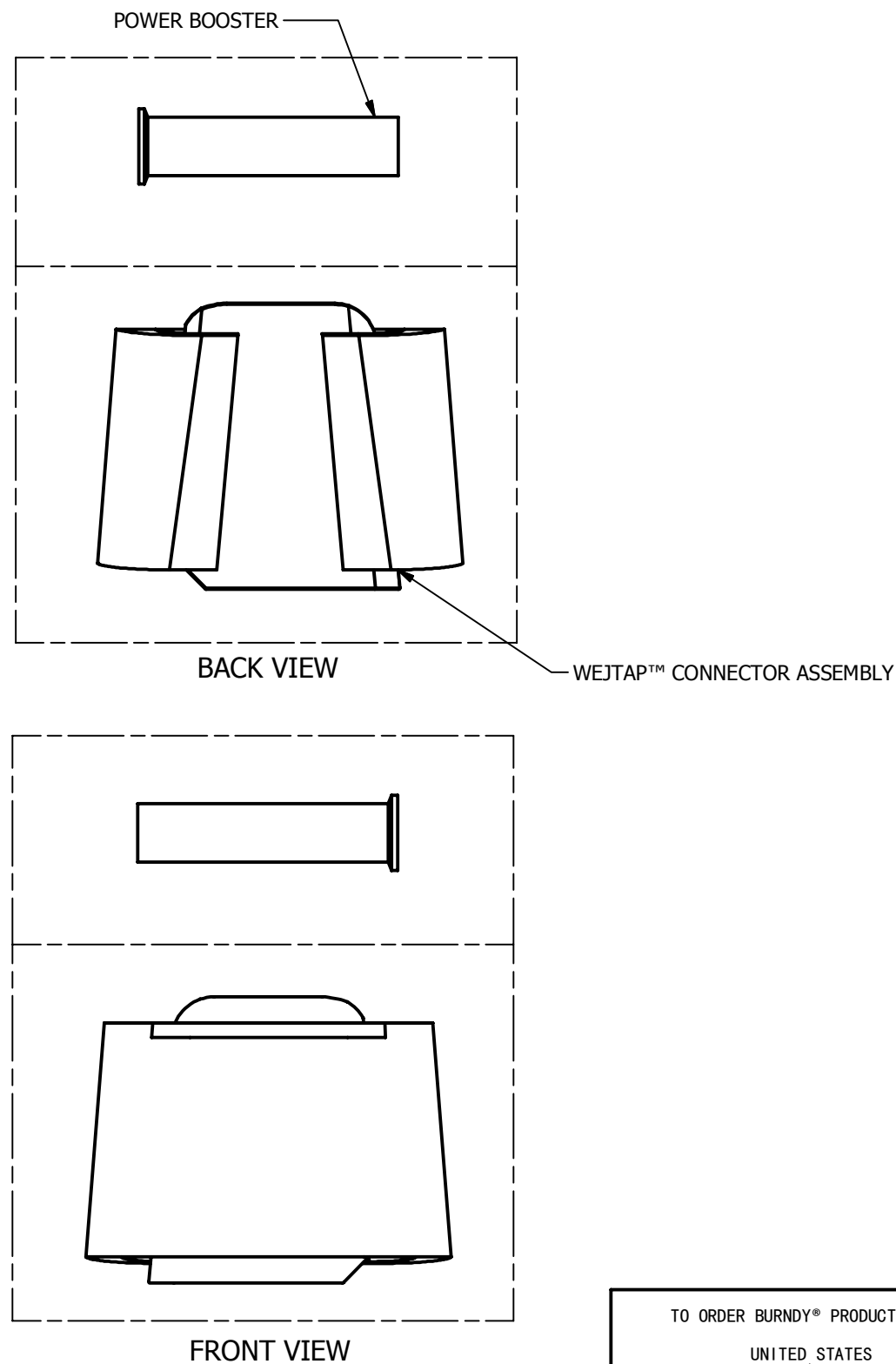
NOTES:

1. PENETROX™ PENX-1530 APPLIED TO THE SHELL GROOVE AND TO THE WEDGE GROOVE.
2. PACKAGED INDIVIDUALLY, WEDGE ASSEMBLED IN SHELL, ENCASED IN HEAT SHRINK. POLYETHYLENE WITH PRODUCT LABEL COVERING WEDGE MARKING.
3. ORM-D WARNING LABEL QUANTITY = 1 PER CARTON.

TO ORDER BURNDY® PRODUCTS CALL		WEJTAP CONNECTOR WITH POWER BOOSTER ASSEMBLY	
UNITED STATES		ITEM NO: --	
1-800-346-4175 (LONDONDERRY, NH)		CAT. NO: WCR--PB (SEE TABLE)	
CANADA:		DRAWN BY: S.PRASANNA 11/19/2012	
1-800-361-6975 (QUEBEC)		CHECKER: G.SCHRADER 10/17/2013	
1-800-387-6487 (ALL OTHER PROVINCES)		DSN APRVL: G.SCHRADER 10/17/2013	
FOR PRODUCT INFO: http://www.burndy.com		MFG APRVL: F.CHISOLM 7/24/2013	
		QA APRVL: --	
		MKT APRVL: B.CRUTCHER 8/29/2013	
		PROD FAM: --	
		DRAWING NO	
		50014998	
		REV	
		A	
		SHEET 1 OF 4	

FINISHED CATALOG NUMBER	WITHOUT PB CATALOG NUMBER	CONNECTORS QUANTITY PER BOX	BOX SIZE INSIDE DIMENSIONS LENGTH X WIDTH X HEIGHT	POWER BOOSTER CATALOG NUMBER
WCY48PB	WCY48	10	12.63 X 6.38 X 4.88	WPBY-A 10 PER BOX
WCY49PB	WCY49			
WCY50PB	WCY50			
WCY51PB	WCY51			
WCY52PB	WCY52			
WCY53PB	WCY53			
WCY54PB	WCY54			
WCY55PB	WCY55			
WCY55T2PB	WCY55T2			
WCY56PB	WCY56			
WCY57PB	WCY57			
WCY58PB	WCY58			
WCY59PB	WCY59			
WCY60PB	WCY60			
WCY61PB	WCY61			
WCY62PB	WCY62			
WCY63PB	WCY63			
WCY64PB	WCY64			
WCY65PB	WCY65			
WCY66PB	WCY66			
WCY67PB	WCY67			
WCY68PB	WCY68			
WCY69PB	WCY69			
WCY70PB	WCY70			

REV	DATE	DESCRIPTION	ECO	BY	C'H'K.
A	11/20/2012	DRAWING RELEASED	29217	PS	MB



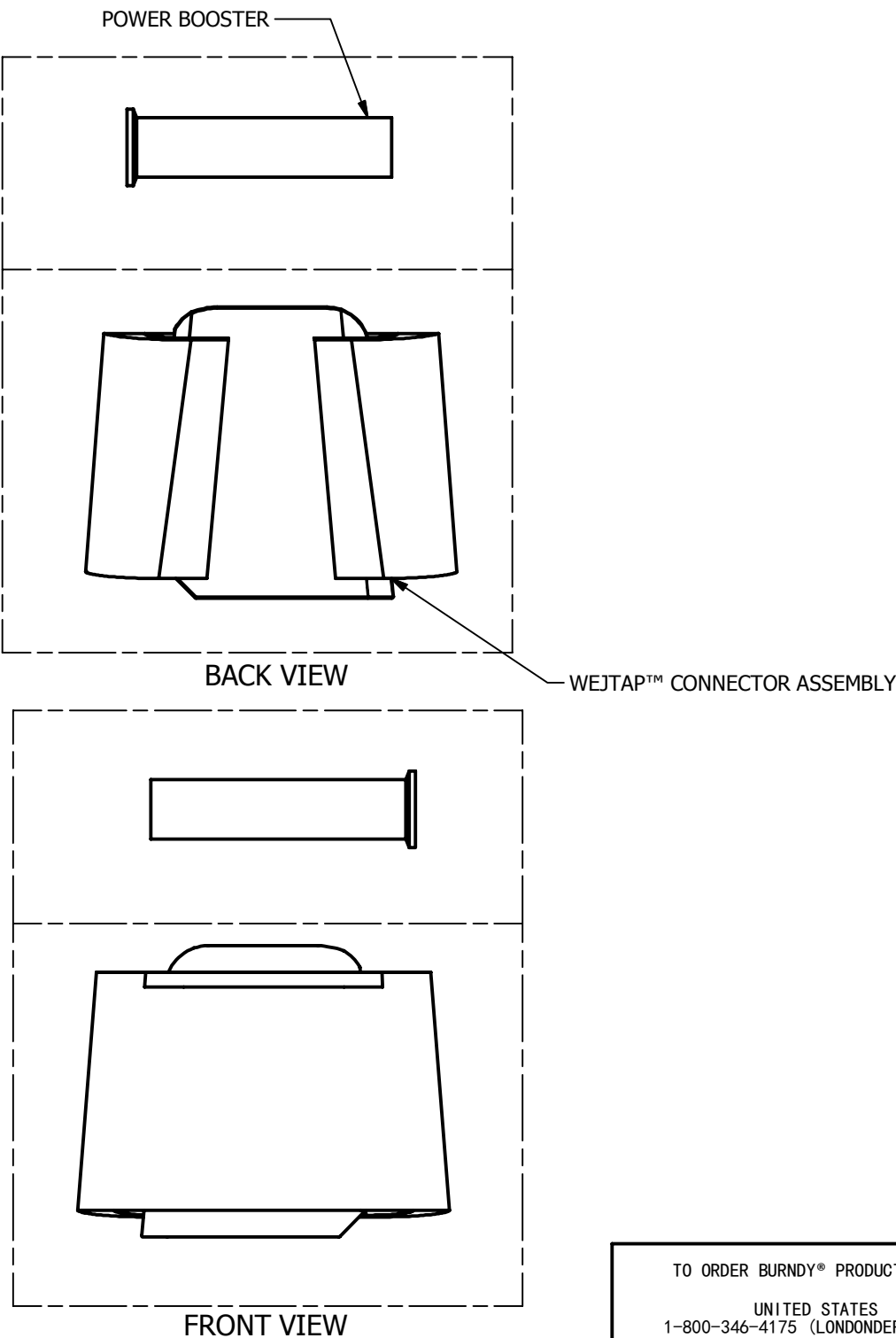
NOTES:

1. PENETROX™ PENX-1530 APPLIED TO THE SHELL GROOVE AND TO THE WEDGE GROOVE.
2. PACKAGED INDIVIDUALLY, WEDGE ASSEMBLED IN SHELL, ENCASED IN HEAT SHRINK POLYETHYLENE WITH PRODUCT LABEL COVERING WEDGE MARKING.
3. ORM-D WARNING LABEL QUANTITY = 1 PER CARTON.

TO ORDER BURNDY® PRODUCTS CALL		WEJTAP CONNECTOR WITH POWER BOOSTER ASSEMBLY	
UNITED STATES		ITEM NO: --	
1-800-346-4175 (LONDONDERRY, NH)		CAT. NO: WCY--PB (SEE TABLE)	
CANADA:		DRAWN BY: S.PRASANNA 11/19/2012	
1-800-361-6975 (QUEBEC)		CHECKER: G.SCHRADER 10/17/2013	
1-800-387-6487 (ALL OTHER PROVINCES)		DSN APRVL: G.SCHRADER 10/17/2013	
FOR PRODUCT INFO: http://www.burndy.com		MFG APRVL: F.CHISOLM 7/24/2013	
		QA APRVL: --	
		MKT APRVL: B.CRUTCHER 8/29/2013	
		PROD FAM: --	
		DRAWING NO	
		50014998	
		REV	
		A	
		SHEET 2 OF 4	

FINISHED CATALOG NUMBER	WITHOUT PB CATALOG NUMBER	CONNECTORS QUANTITY PER BOX	BOX SIZE INSIDE DIMENSIONS LENGTH X WIDTH X HEIGHT	POWER BOOSTER CATALOG NUMBER
WCY71PB	WCY71	5	12.63 X 6.38 X 4.88	WPBY-A 5 PER BOX
WCY72PB	WCY72			
WCY73PB	WCY73			
WCY74PB	WCY74			
WCY75PB	WCY75			
WCY76PB	WCY76			
WCY77PB	WCY77			
WCY78PB	WCY78			
WCY79PB	WCY79			
WCY80PB	WCY80			
WCY81PB	WCY81			
WCY82PB	WCY82			
WCY83PB	WCY83			
WCY84PB	WCY84			
WCY84T2PB	WCY84T2			
WCY85PB	WCY85			
WCY86PB	WCY86			
WCY87PB	WCY87			
WCY88PB	WCY88			
WCY89PB	WCY89			
WCY90PB	WCY90			
WCY91PB	WCY91			
WCY92PB	WCY92			
WCY93PB	WCY93			
WCY94PB	WCY94			
WCY95PB	WCY95			
WCY96PB	WCY96			
WCY97PB	WCY97			
WCY98PB	WCY98			
WCY99PB	WCY99			
WCY100PB	WCY100			
WCY101PB	WCY101			
WCY102PB	WCY102			
WCY103PB	WCY103			
WCY104PB	WCY104			
WCY105PB	WCY105			
WCY106PB	WCY106			
WCY107PB	WCY107			
WCY108PB	WCY108			
WCY109PB	WCY109			
WCY110PB	WCY110			
WCY111PB	WCY111			
WCY112PB	WCY112			
WCY113PB	WCY113			

REV	DATE	DESCRIPTION	ECO	BY	C'H'K.
A	11/20/2012	DRAWING RELEASED	29217	PS	MB



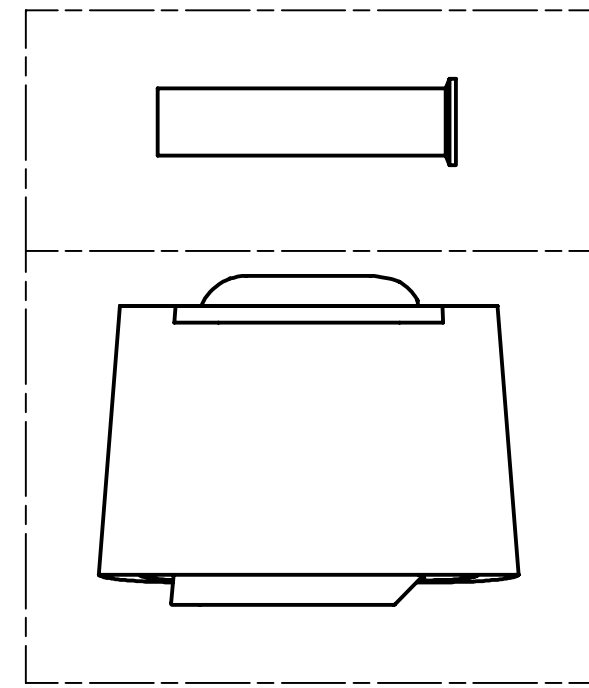
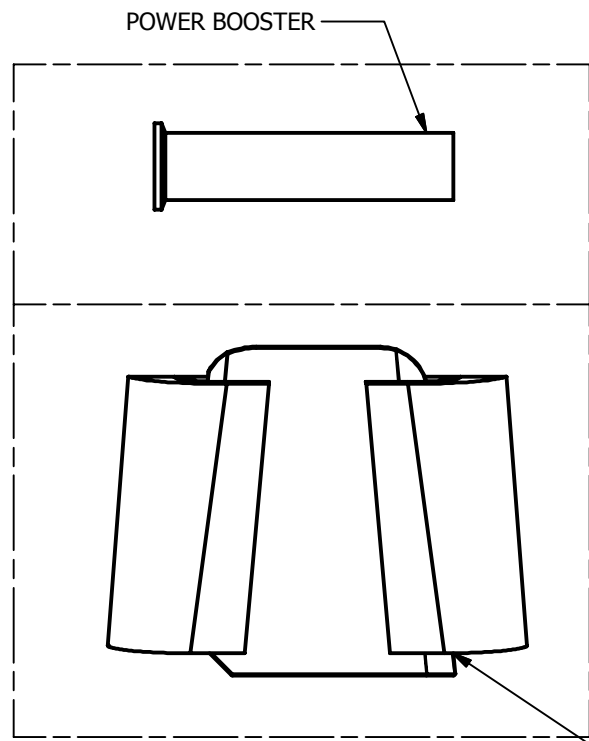
NOTES:

1. PENETROX™ PENX-1530 APPLIED TO THE SHELL GROOVE AND TO THE WEDGE GROOVE.
2. PACKAGED INDIVIDUALLY, WEDGE ASSEMBLED IN SHELL, ENCASED IN HEAT SHRINK. POLYETHYLENE WITH PRODUCT LABEL COVERING WEDGE MARKING.
3. ORM-D WARNING LABEL QUANTITY = 1 PER CARTON.

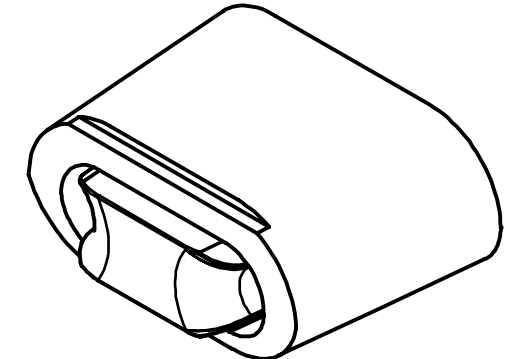
TO ORDER BURNDY® PRODUCTS CALL		WEJTAP CONNECTOR WITH POWER BOOSTER ASSEMBLY	
UNITED STATES		ITEM NO: --	
1-800-346-4175 (LONDONDERRY, NH)		CAT. NO: WCY--PB (SEE TABLE)	
CANADA:		DRAWN BY: S.PRASANNA 11/19/2012	
1-800-361-6975 (QUEBEC)		CHECKER: G.SCHRADER 10/17/2013	
1-800-387-6487 (ALL OTHER PROVINCES)		DSN APRVL: G.SCHRADER 10/17/2013	
FOR PRODUCT INFO: http://www.burndy.com		MFG APRVL: F.CHISOLM 7/24/2013	
		QA APRVL: --	
		MKT APRVL: B.CRUTCHER 8/29/2013	
		PROD FAM: --	
		DRAWING NO	
		50014998	
		REV	
		A	
		SHEET 3 OF 4	

FINISHED CATALOG NUMBER	WITHOUT PB CATALOG NUMBER	CONNECTORS QUANTITY PER BOX	BOX SIZE INSIDE DIMENSIONS LENGTH X WIDTH X HEIGHT	POWER BOOSTER CATALOG NUMBER
WCB10PB	WCB10	25	6.88 X 5.88 X 6.38	WPBB-A 25 PER BOX
WCB11PB	WCB11			
WCB12PB	WCB12			
WCB13PB	WCB13			
WCB14PB	WCB14			
WCB15PB	WCB15			
WCB16PB	WCB16			
WCB17PB	WCB17			
WCB18PB	WCB18			
WCB19PB	WCB19			
WCB20PB	WCB20			
WCB21PB	WCB21			
WCB22PB	WCB22			
WCB23PB	WCB23			
WCB24PB	WCB24			
WCB25PB	WCB25			
WCB26PB	WCB26			
WCB27PB	WCB27			
WCB28PB	WCB28			
WCB40PB	WCB40			
WCB41PB	WCB41			
WCB42PB	WCB42			
WCB43PB	WCB43			
WCB44PB	WCB44			
WCB45PB	WCB45			
WCB46PB	WCB46			
WCB47PB	WCB47			

REV	DATE	DESCRIPTION	ECO	BY	C'H'K.
A	11/20/2012	DRAWING RELEASED	29217	PS	MB



WEJTAP™ CONNECTOR ASSEMBLY



NOTES:

1. PENETROX™ PENX-1530 APPLIED TO THE SHELL GROOVE AND TO THE WEDGE GROOVE.
2. PACKAGED INDIVIDUALLY, WEDGE ASSEMBLED IN SHELL, ENCASED IN HEAT SHRINK. POLYETHYLENE WITH PRODUCT LABEL COVERING WEDGE MARKING.
3. ORM-D WARNING LABEL QUANTITY = 1 PER CARTON.

TO ORDER BURNDY® PRODUCTS CALL		WEJTAP CONNECTOR WITH POWER BOOSTER ASSEMBLY	
UNITED STATES		ITEM NO: --	
1-800-346-4175 (LONDONDERRY, NH)		CAT. NO: WCB--PB (SEE TABLE)	
CANADA:		DRAWN BY: S.PRASANNA 11/19/2012	
1-800-361-6975 (QUEBEC)		CHECKER: G.SCHRADER 10/17/2013	
1-800-387-6487 (ALL OTHER PROVINCES)		DSN APRVL: G.SCHRADER 10/17/2013	
FOR PRODUCT INFO: http://www.burndy.com		MFG APRVL: F.CHISOLM 7/24/2013	
		QA APRVL: --	
		MKT APRVL: B.CRUTCHER 8/29/2013	
		PROD FAM: --	
		DRAWING NO	
		50014998	
		REV	
		A	
		SHEET 4 OF 4	