

DRAWING NO.
SD212251

4

3

2

1

*** BILL OF MATERIAL FOR TMH272 ***

ITEM	PART NUMBER	QTY	DESCRIPTION
1	50X150HEB	2	1/2-13 UNC2A X 1-1/2 SILICON BRONZE HEX. HEAD BOLT.
2	50FW	4	1/2 SILICON BRONZE FLAT WASHER
3	50SW	2	1/2 SILICON BRONZE SPLIT LOCKWASHER
4	50CHEN	2	1/2-13 SILICON BRONZE HEX. NUT

REV.	DATE	DESCRIPTION	BY	C'K'D.
0	8/2/99	DRAWING RELEASED	PL	KH

D

D

C

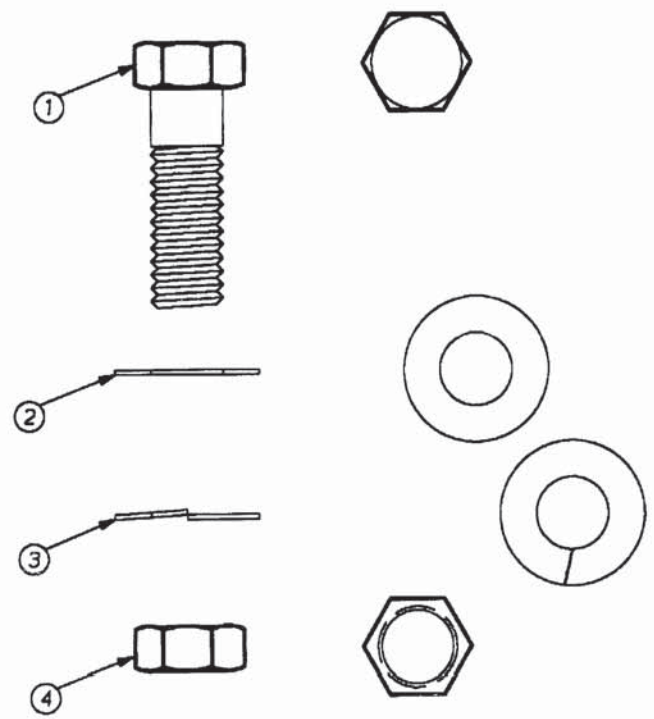
C

B

B

A

A



TONGUE MOUNTING HARDWARE			
CAT NO.	TMH- (TABLE)	SCALE	N/A
DRAWN	P. LAPONTUS	8/2/99	CHECKED: K. HENRY 8/2/99
DESIGN APPL.	B. DITROIA	8/2/99	PHS APPL.: N/A
R.A. APPL.	J. BRODEUR	8/3/99	NETS APPL.: D. HAMILTON 8/2/99
CAD FILE	SD212251-01_0	PH REF:	N/A
MOL REF:		N/A	
PROJECT:		ECO 5090	
DRAWING NO.		REV	
BURNDY		SD212251	
		0	
SHEET 1 OF 1			

REV. 08/1995

4

3

2

1