

BURNDY BUSBARS				
BURNDY CATALOG NO.	BURNDY ITEM NO.	DESCRIPTION	NO. OF HOLES	SHEET NO.
BBB14210A	10104602	BUSBAR 1/4" X 2" X 10"	16	2
BBB14224B	10104603	BUSBAR 1/4" X 2" X 24"	36	3
BBB14410C	10104604	BUSBAR 1/4" X 4" X 10"	22	4
BBB14410D	10104605	BUSBAR 1/4" X 4" X 10'	22	5
BBB14412E	10104606	BUSBAR 1/4" X 4" X 12"	18	6
BBB14412F	10104607	BUSBAR 1/4" X 4" X 12"	24	7
BBB14416G	10104608	BUSBAR 1/4" X 4" X 16"	24	8
BBB14416H	10104609	BUSBAR 1/4" X 4" X 16"	32	9
BBB14420J	10104610	BUSBAR 1/4" X 4" X 20"	68	10
BBB412UD	10104613	BUSBAR 1/4" X 4" X 12" UNDRILLED	0	11
BBB424UD	10104614	BUSBAR 1/4" X 4" X 24" UNDRILLED	0	12
BBBHR19	10104611	BUSBAR 3/16" X 3/4" X 19" HORIZONTAL	8	13
BBBVR36	10104612	BUSBAR 1/4" X 5/8" X 36" VERTICAL	16	14
BBB14420NBRCKT1	10109680	BUSBAR 1/4" X 4" X 20" UNDRILLED	0	15

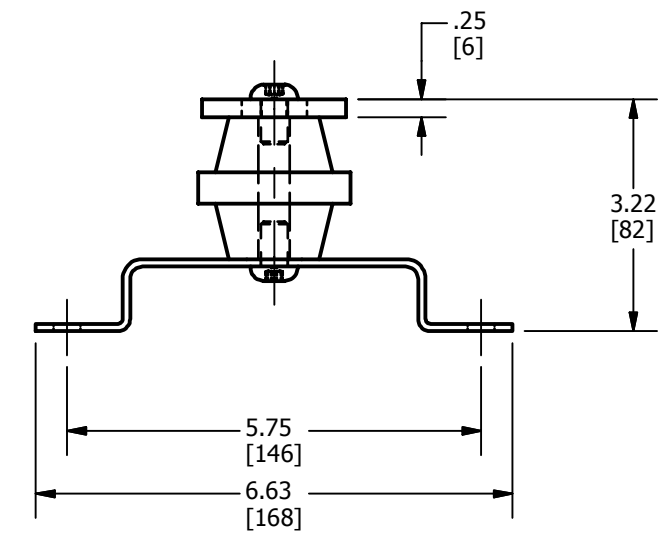
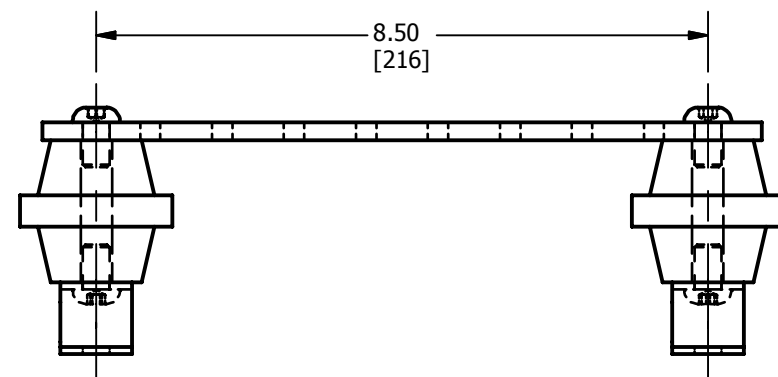
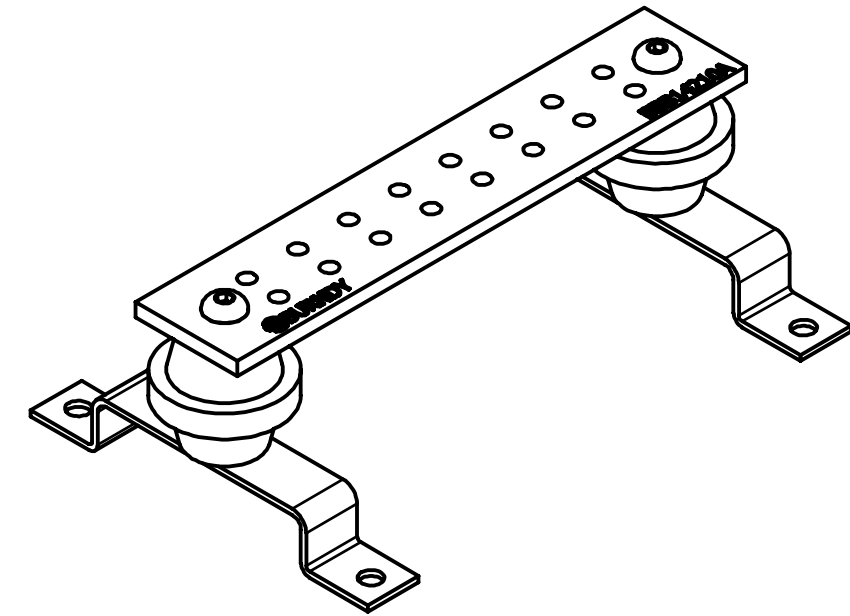
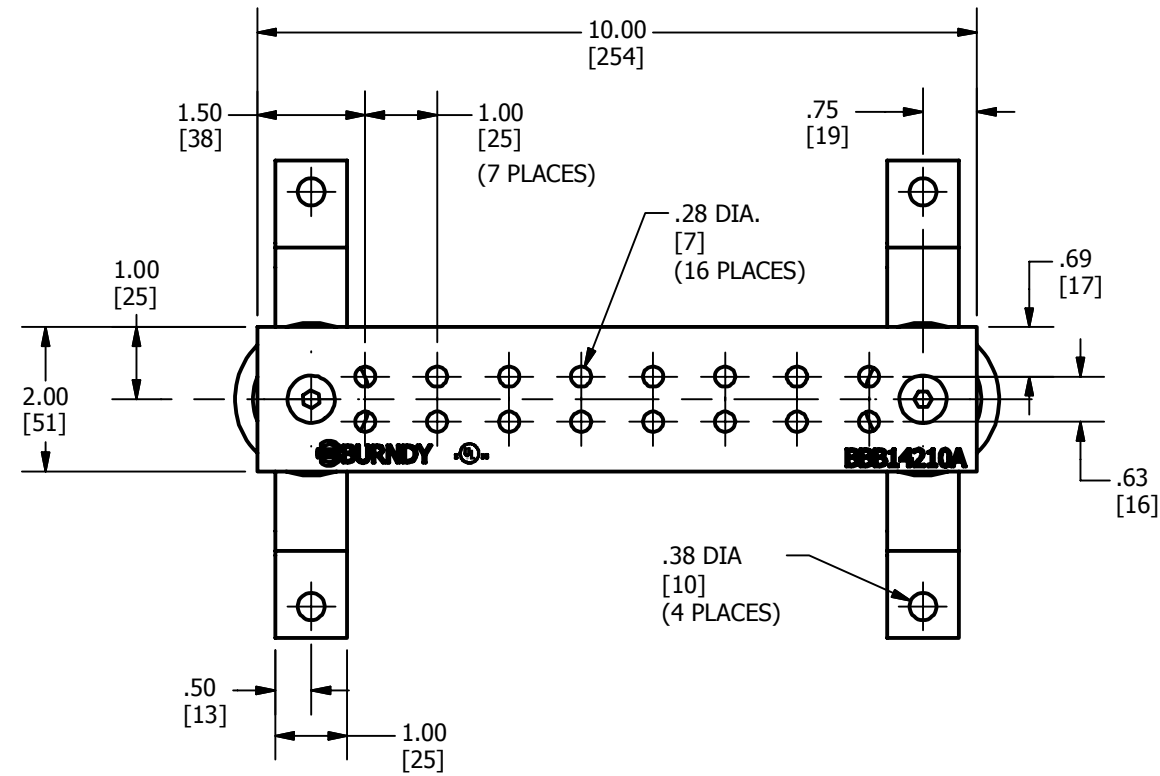
REV	DATE	DESCRIPTION	ECO	BY	C'H'K.
F	10/29/2012	UPDATE SALES DRAWING AS PER MARKUP	29258	DD	MB

NOTES:

1. MATERIAL: ALL BUSBARS ARE ELECTRICAL GRADE COPPER.
2. ALL CATALOG NUMBERS ARE PRE ASSEMBLED WITH ONE BUSBAR, TWO INSULATORS, TWO MOUNTING BRACKETS, AND FOUR SCREWS. CATALOG NUMBERS "BBBHR19 & BBBVR36" ARE BUSBARS ONLY.
3. DIMENSIONS IN BRACKETS [] ARE IN MILLIMETERS ROUNDED OFF TO THE NEAREST MILLIMETER, UNLESS OTHERWISE SPECIFIED AND ARE FOR REFERENCE ONLY.

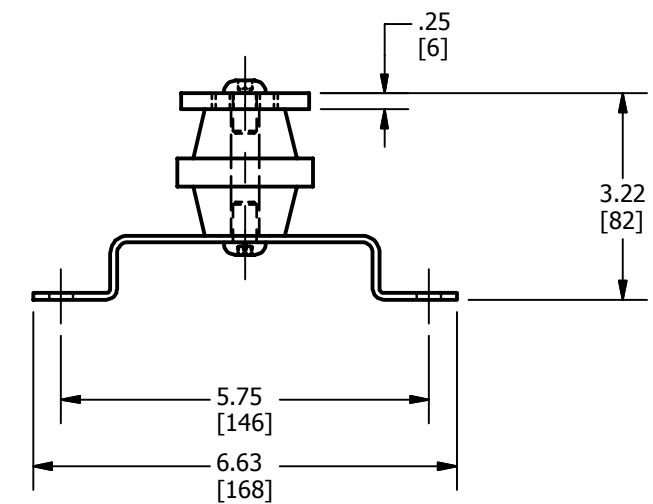
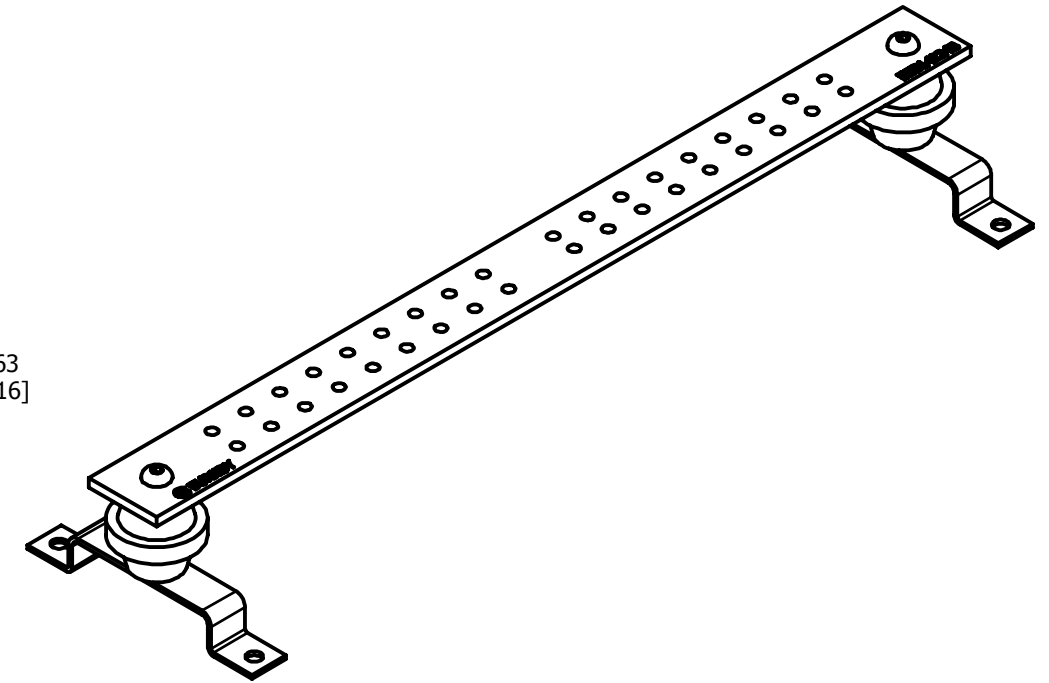
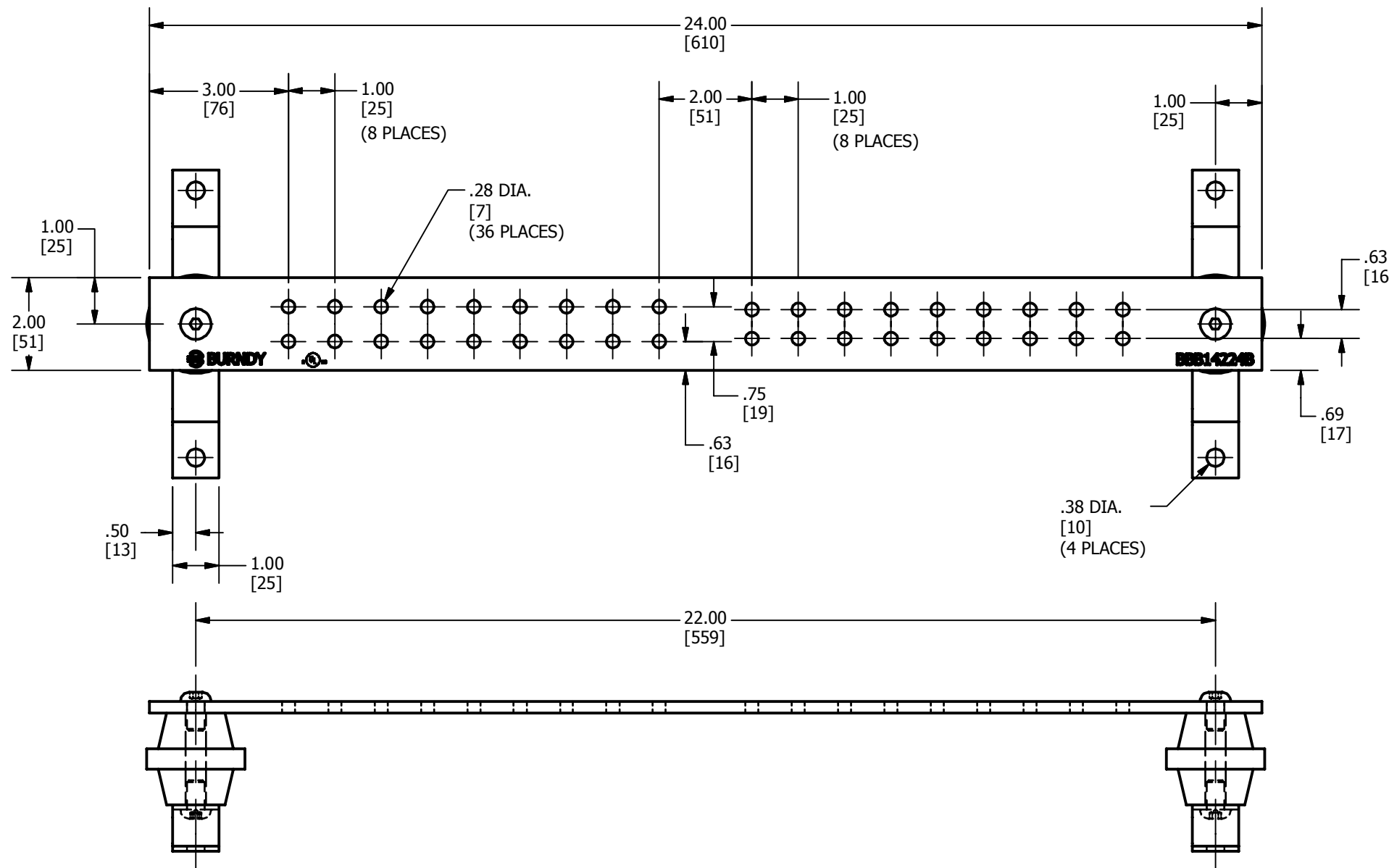
TO ORDER BURNDY PRODUCTS CALL		BUSBAR													
UNITED STATES 1-800-346-4175 (LONDONDERRY, NH)		ITEM NO: SEE TABLE													
CANADA: 1-800-361-6975 (QUEBEC) 1-800-387-6487 (ALL OTHER PROVINCES)		CAT. NO: SEE TABLE													
FOR PRODUCT INFO: http://www.burndy.com		<table border="1"> <tr> <td>DRAWN BY: A MONTMINY</td> <td>8/5/2009</td> </tr> <tr> <td>CHECKER: K ROBICHEAU</td> <td>10/5/2009</td> </tr> <tr> <td>DSN APRVL: A MONTMINY</td> <td>10/5/2009</td> </tr> <tr> <td>MFG APRVL: P KEENAN</td> <td>10/7/2009</td> </tr> <tr> <td>QA APRVL: J BRODEUR</td> <td>10/6/2009</td> </tr> <tr> <td>MKT APRVL: K ROBICHEAU</td> <td>10/5/2009</td> </tr> </table>		DRAWN BY: A MONTMINY	8/5/2009	CHECKER: K ROBICHEAU	10/5/2009	DSN APRVL: A MONTMINY	10/5/2009	MFG APRVL: P KEENAN	10/7/2009	QA APRVL: J BRODEUR	10/6/2009	MKT APRVL: K ROBICHEAU	10/5/2009
DRAWN BY: A MONTMINY	8/5/2009														
CHECKER: K ROBICHEAU	10/5/2009														
DSN APRVL: A MONTMINY	10/5/2009														
MFG APRVL: P KEENAN	10/7/2009														
QA APRVL: J BRODEUR	10/6/2009														
MKT APRVL: K ROBICHEAU	10/5/2009														
PROJ FAMIL: --		DRAWING NO	REV												
PROJECT #: --		10103867	F												
DOCUMENT TYPE: SALES		SIZE													
REL LEVEL: Released		B													
		SHEET 1 OF 15													

REV	DATE	DESCRIPTION	ECO	BY	C'H.K.
F	10/29/2012	UPDATE SALES DRAWING AS PER MARKUP	29258	DD	MB



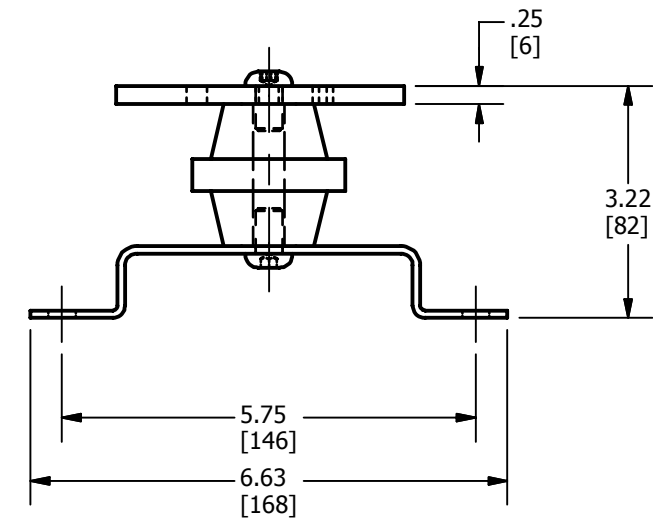
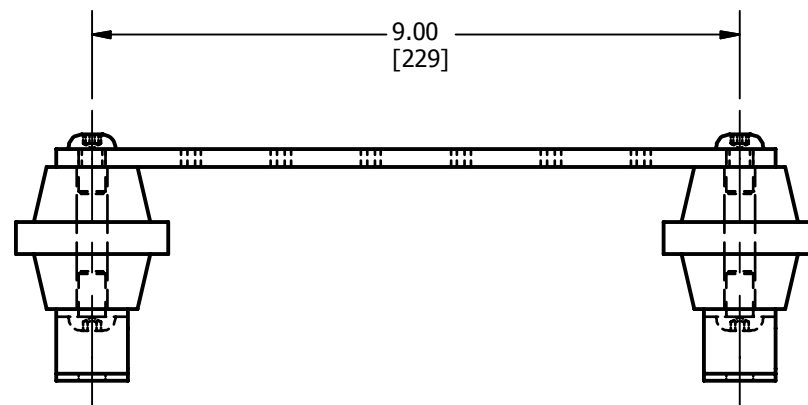
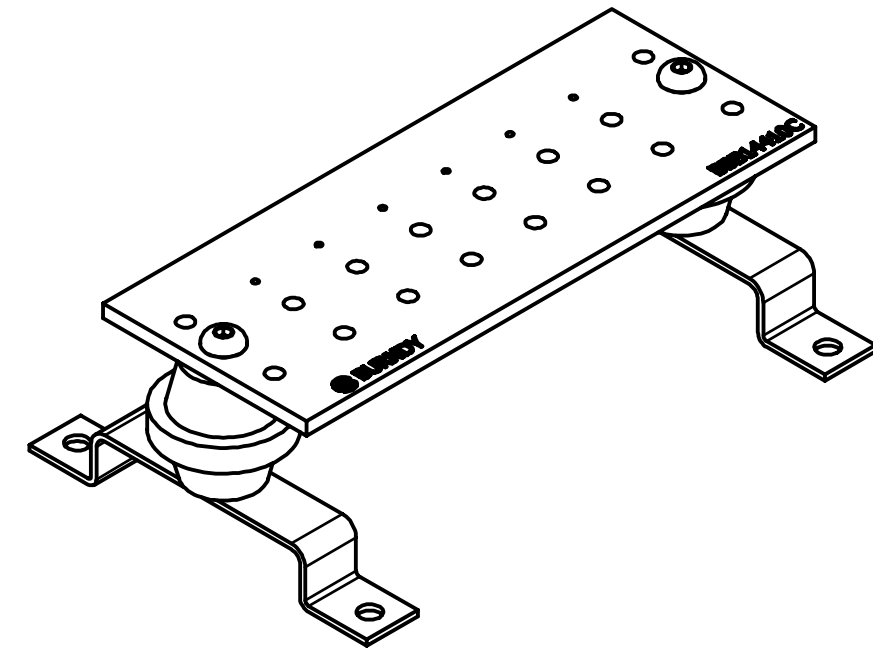
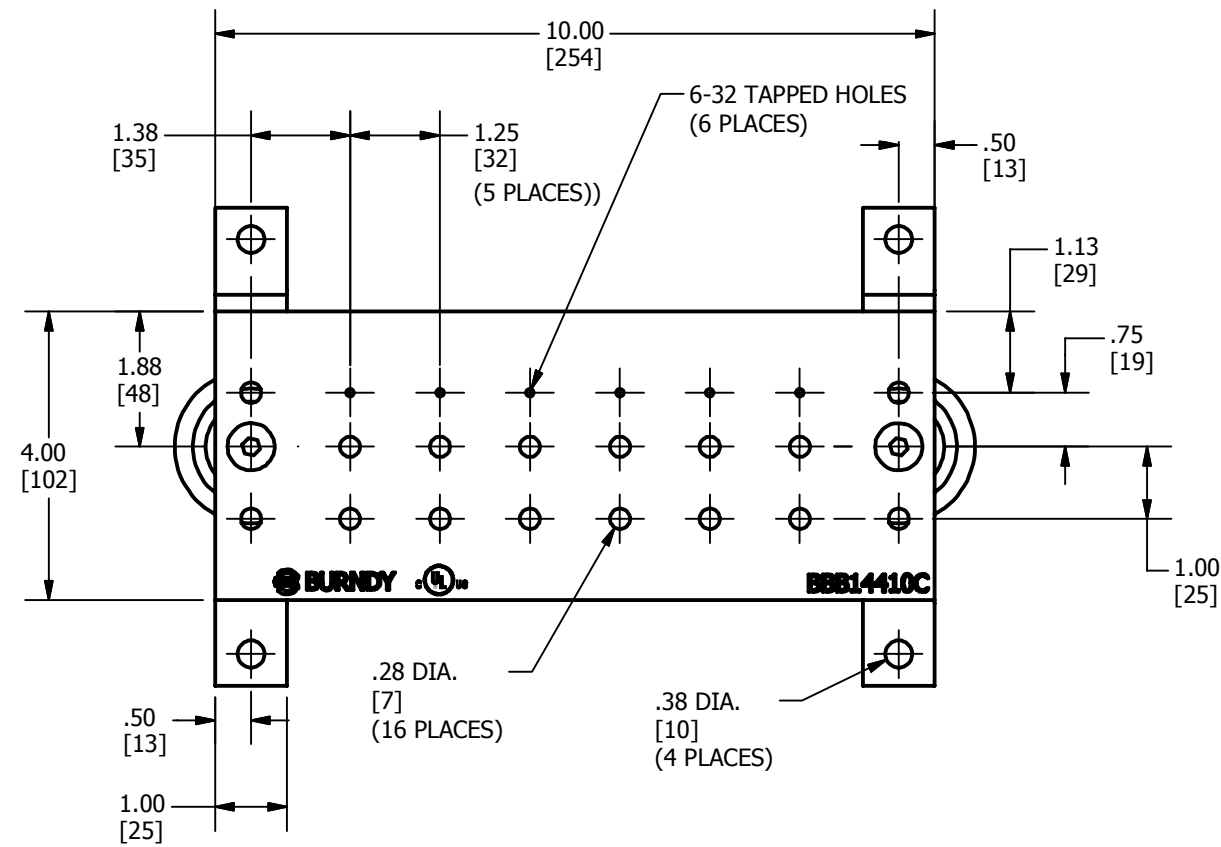
TO ORDER BURNDY PRODUCTS CALL UNITED STATES 1-800-346-4175 (LONDONDERRY, NH) CANADA: 1-800-361-6975 (QUEBEC) 1-800-387-6487 (ALL OTHER PROVINCES) FOR PRODUCT INFO: http://www.burndy.com		BUSBAR	
		ITEM NO: 10104602 CAT. NO: BBB14210A	
DRAWN BY: A MONTMINY 8/5/2009 CHECKER: K ROBICHEAU 10/5/2009 DSN APRVL: A MONTMINY 10/5/2009 MFG APRVL: P KEENAN 10/7/2009 QA APRVL: J BRODEUR 10/6/2009 MKT APRVL: K ROBICHEAU 10/5/2009			
PROJ #: -- REL LEVEL: Released		DRAWING NO 10103867	REV F
		SIZE B	SHEET 2 OF 15

REV	DATE	DESCRIPTION	ECO	BY	CHK.
F	10/29/2012	UPDATE SALES DRAWING AS PER MARKUP	29258	DD	MB



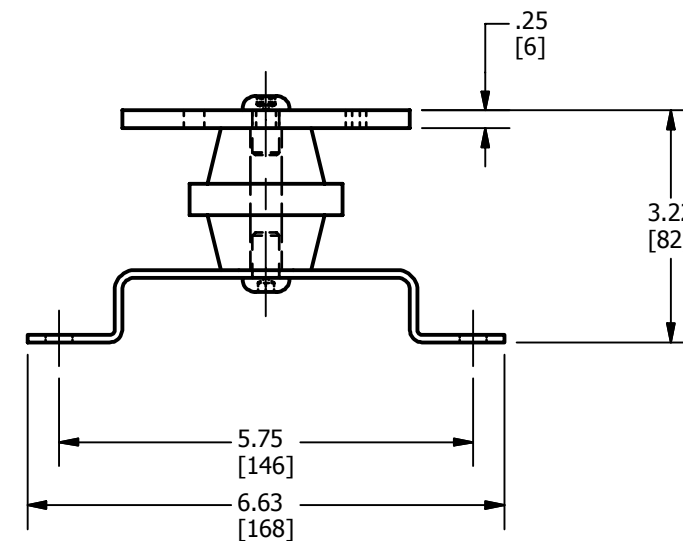
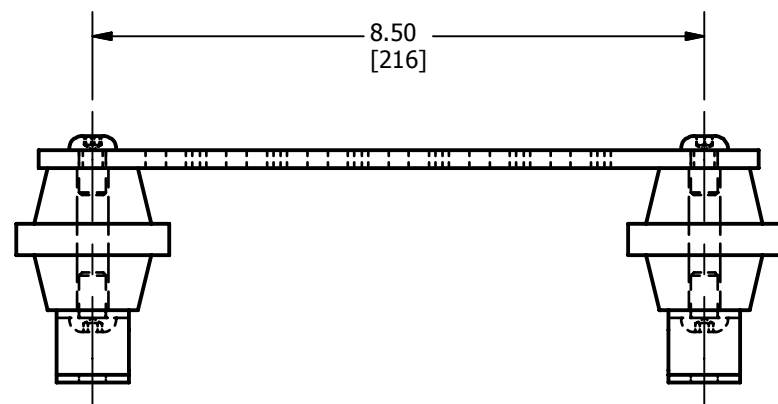
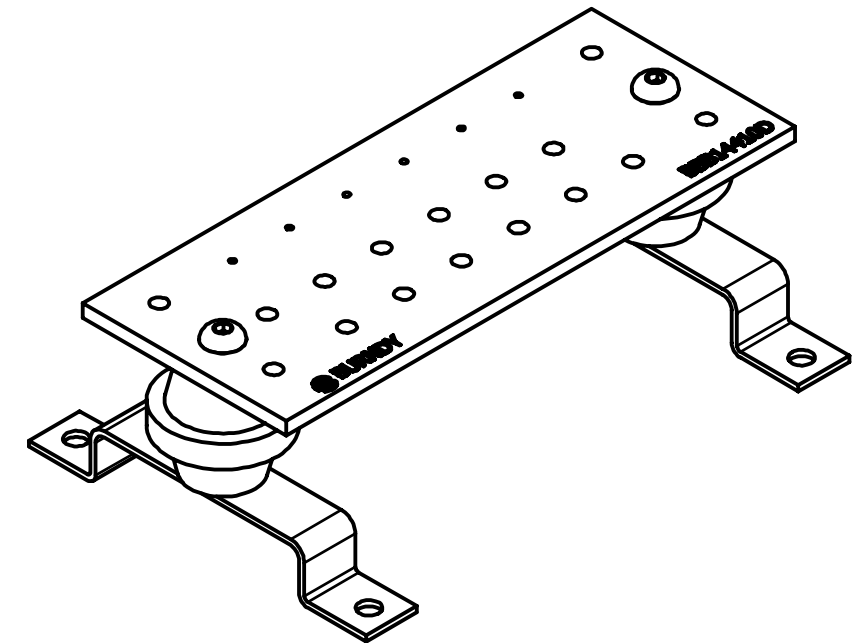
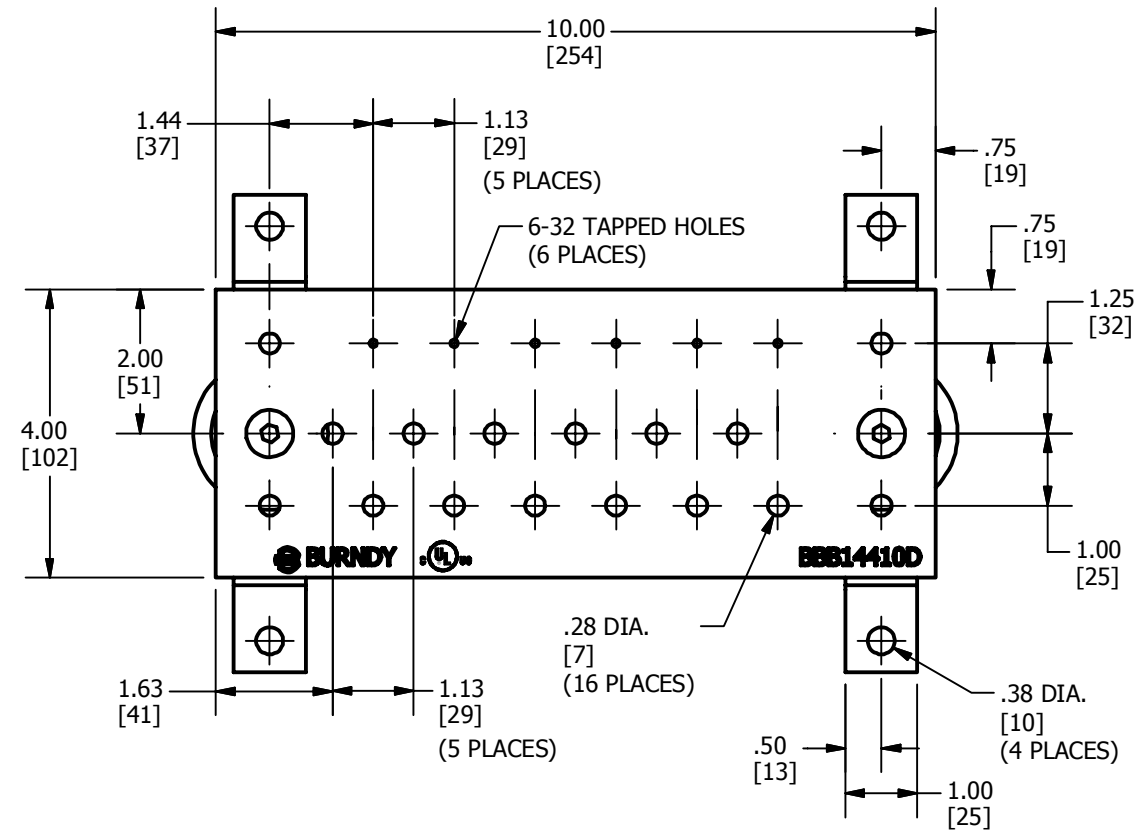
TO ORDER BURNDY PRODUCTS CALL		BUSBAR	
UNITED STATES		ITEM NO: 10104603	
1-800-346-4175 (LONDONDERRY, NH)		CAT. NO: BBB14224B	
CANADA:		DRAWN BY: A MONTMINY 8/5/2009	
1-800-361-6975 (QUEBEC)		CHECKER: K ROBICHEAU 10/5/2009	
1-800-387-6487 (ALL OTHER PROVINCES)		DSN APRVL: A MONTMINY 10/5/2009	
FOR PRODUCT INFO: http://www.burndy.com		MFG APRVL: P KEENAN 10/7/2009	
		QA APRVL: J BRODEUR 10/6/2009	
		MKT APRVL: K ROBICHEAU 10/5/2009	
PROD FAM: --	DRAWING NO	REV	
PROJECT #: --	SIZE	10103867	F
DOCUMENT TYPE: SALES	B	SHEET 3 OF 15	
REL LEVEL: Released			

REV	DATE	DESCRIPTION	ECO	BY	C'H'K.
F	10/29/2012	UPDATE SALES DRAWING AS PER MARKUP	29258	DD	MB



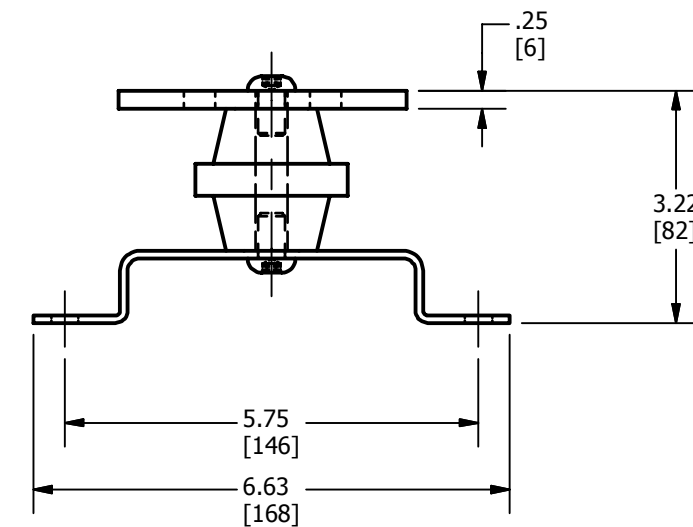
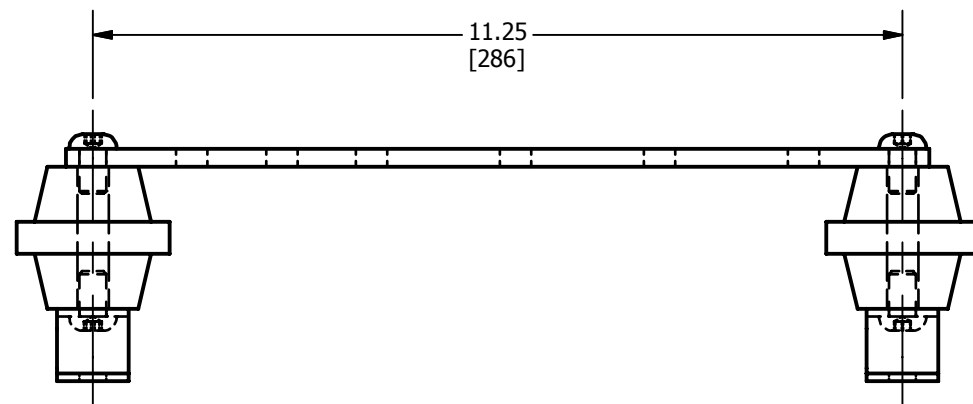
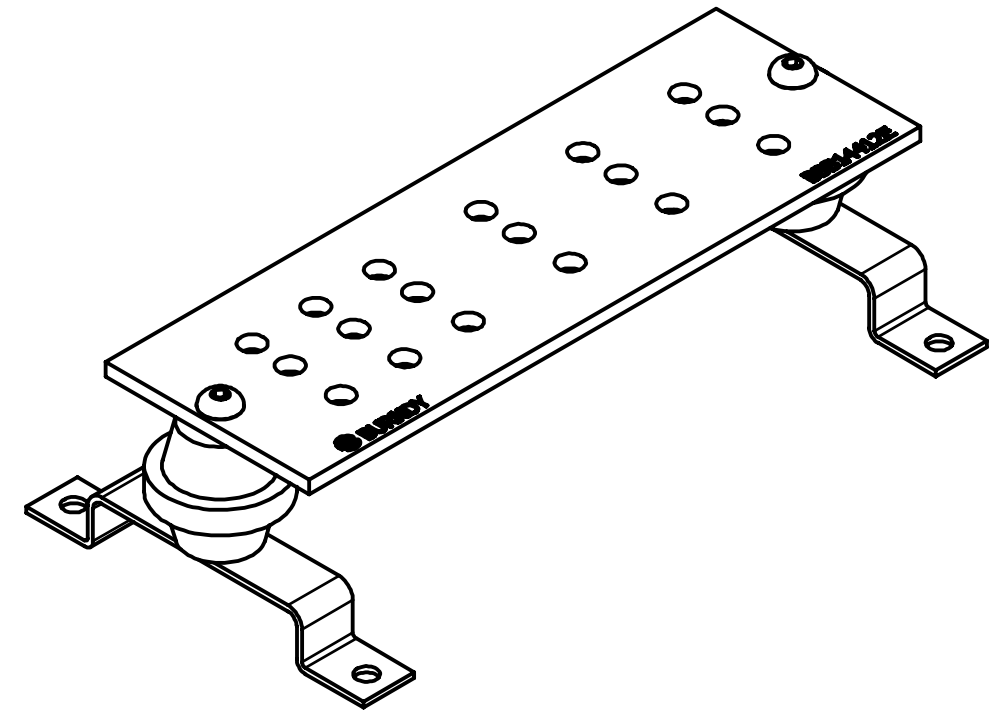
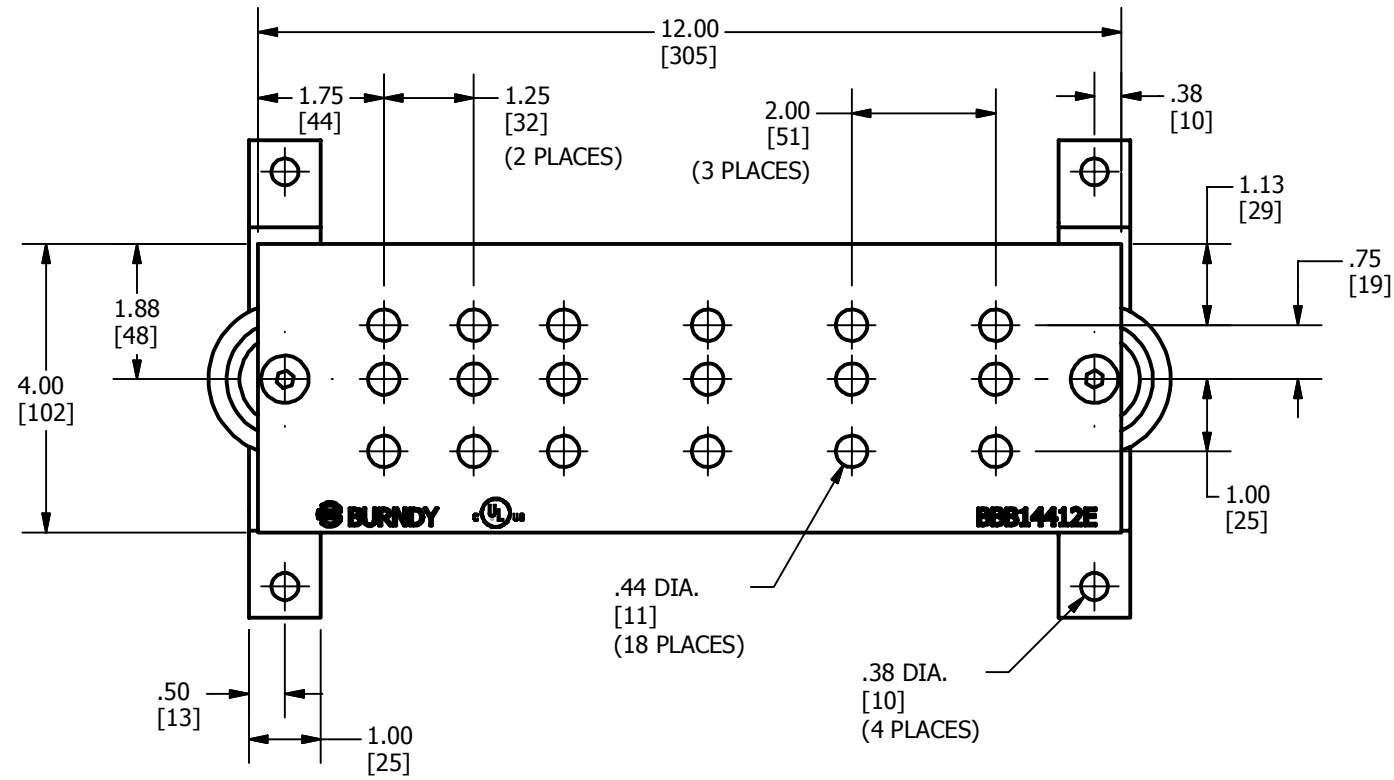
TO ORDER BURNDY PRODUCTS CALL		BUSBAR	
UNITED STATES		ITEM NO: 10104604	
1-800-346-4175 (LONDONDERRY, NH)		CAT. NO: BBB14410C	
CANADA:		DRAWN BY: A MONTMINY 8/5/2009	
1-800-361-6975 (QUEBEC)		CHECKER: K ROBICHEAU 10/5/2009	
1-800-387-6487 (ALL OTHER PROVINCES)		DSN APRVL: A MONTMINY 10/5/2009	
FOR PRODUCT INFO: http://www.burndy.com		MFG APRVL: P KEENAN 10/7/2009	
		QA APRVL: J BRODEUR 10/6/2009	
		MKT APRVL: K ROBICHEAU 10/5/2009	
PROD FAM: --	DRAWING NO	REV	
PROJECT #: --	SIZE	10103867	F
DOCUMENT TYPE: SALES	B	SHEET 4 OF 15	
REL LEVEL: Released			

REV	DATE	DESCRIPTION	ECO	BY	C'H.K.
F	10/29/2012	UPDATE SALES DRAWING AS PER MARKUP	29258	DD	MB



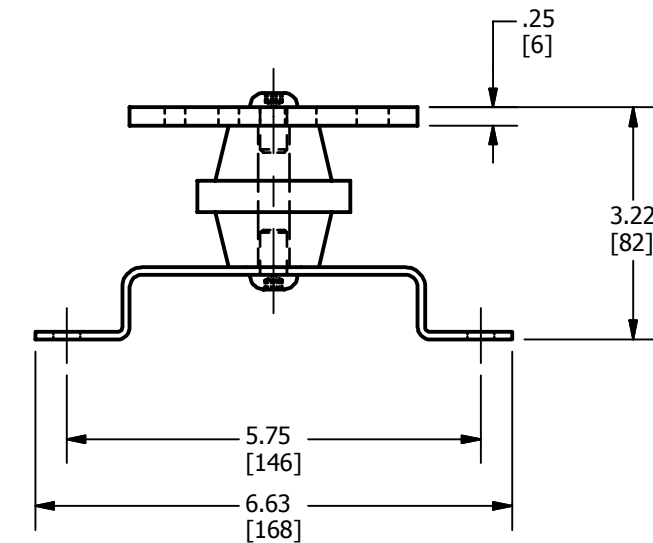
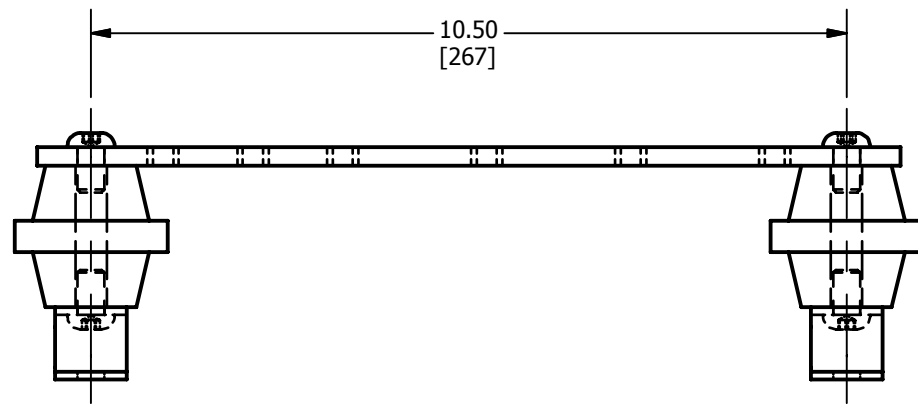
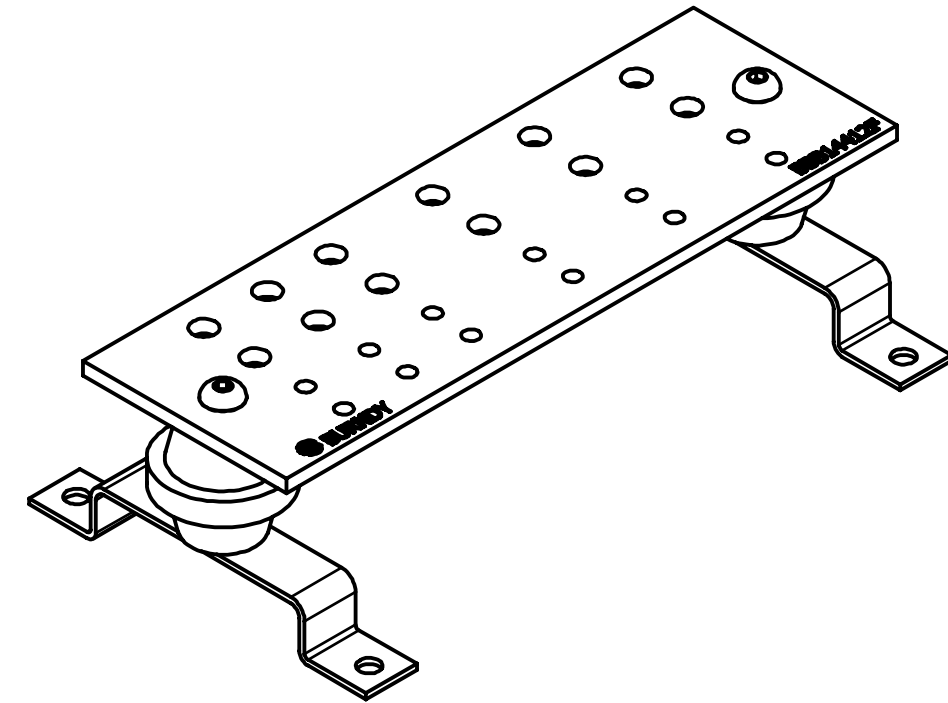
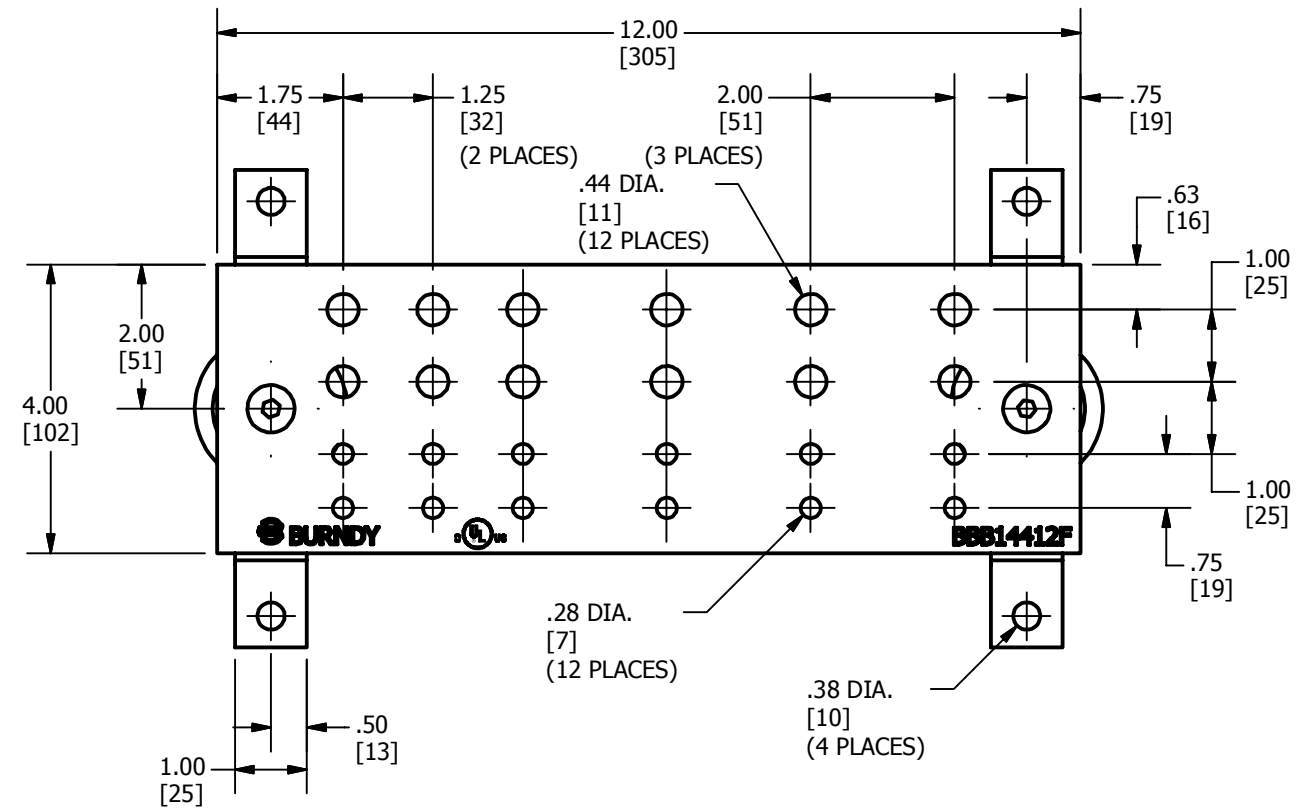
TO ORDER BURNDY PRODUCTS CALL UNITED STATES 1-800-346-4175 (LONDONDERRY, NH) CANADA: 1-800-361-6975 (QUEBEC) 1-800-387-6487 (ALL OTHER PROVINCES) FOR PRODUCT INFO: http://www.burndy.com		BUSBAR	
		ITEM NO: 10104605 CAT. NO: BBB14410D	
DRAWN BY: A MONTMINY 8/5/2009 CHECKER: K ROBICHEAU 10/5/2009 DSN APRVL: A MONTMINY 10/5/2009 MFG APRVL: P KEENAN 10/7/2009 QA APRVL: J BRODEUR 10/6/2009 MKT APRVL: K ROBICHEAU 10/5/2009			
PROJ #: DOCUMENT TYPE: SALES REL LEVEL: Released	SIZE: B	DRAWING NO: 10103867 SHEET 5 OF 15	REV: F

REV	DATE	DESCRIPTION	ECO	BY	C'H.K.
F	10/29/2012	UPDATE SALES DRAWING AS PER MARKUP	29258	DD	MB



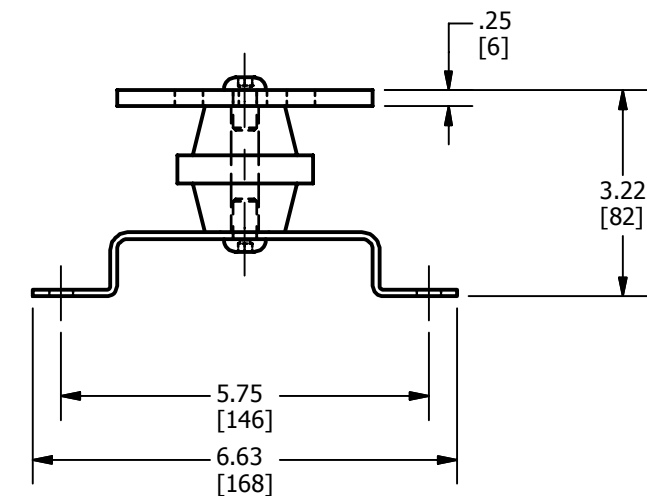
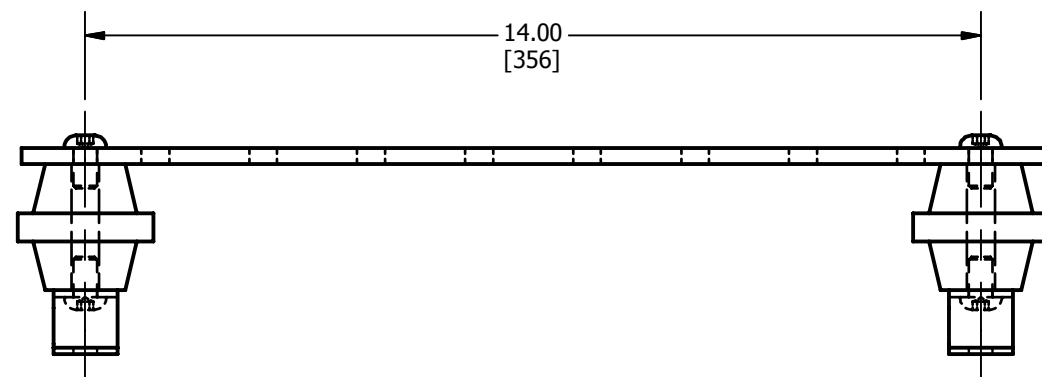
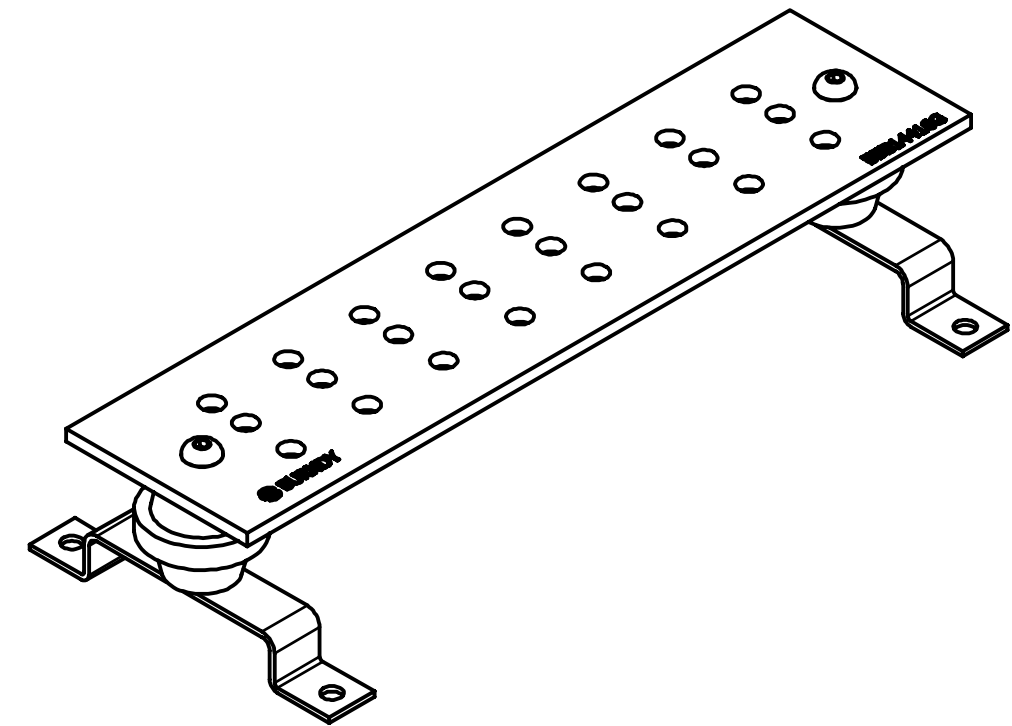
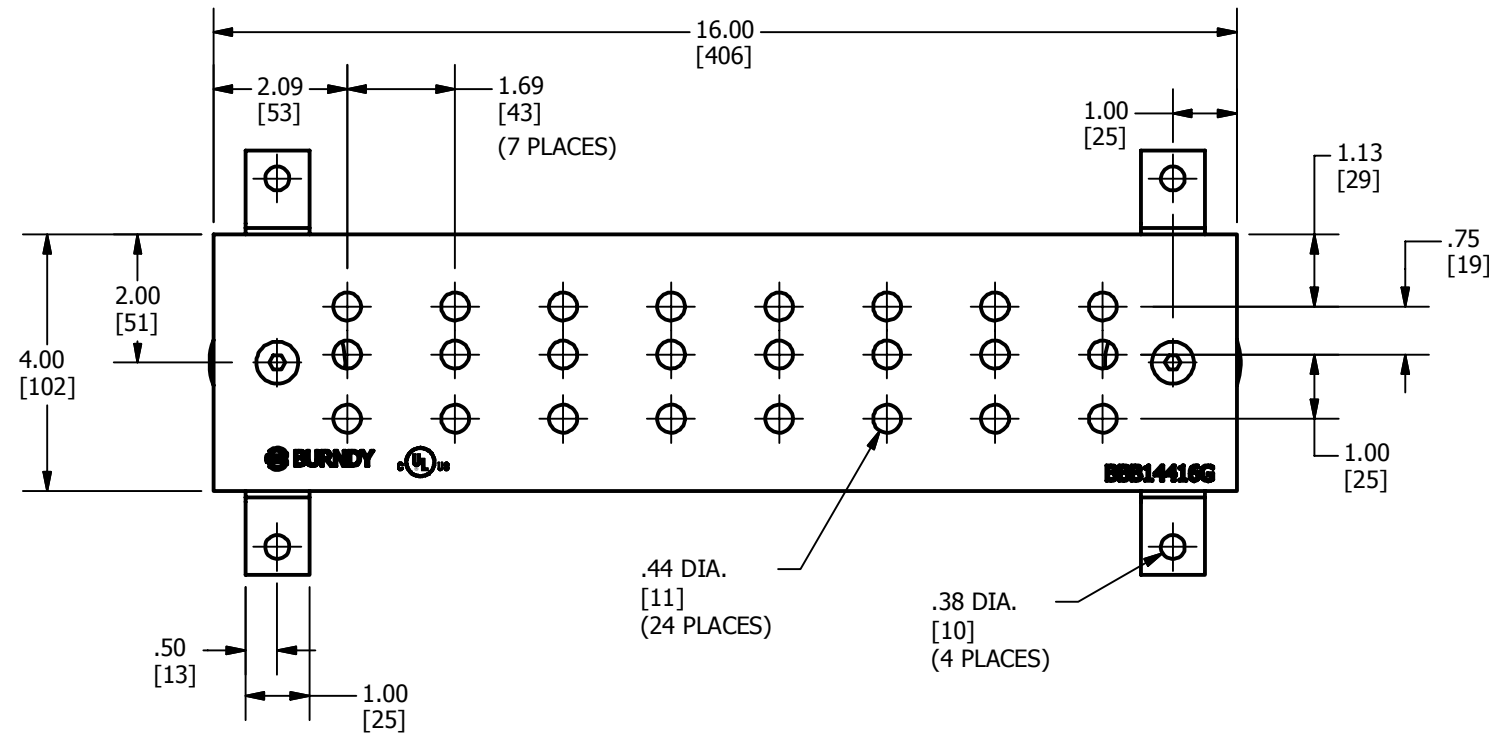
TO ORDER BURNDY PRODUCTS CALL		BUSBAR	
UNITED STATES		ITEM NO: 10104606	
1-800-346-4175 (LONDONDERRY, NH)		CAT. NO: BBB14412E	
CANADA:		DRAWN BY: A MONTMINY 8/5/2009	
1-800-361-6975 (QUEBEC)		CHECKER: K ROBICHEAU 10/5/2009	
1-800-387-6487 (ALL OTHER PROVINCES)		DSN APRVL: A MONTMINY 10/5/2009	
FOR PRODUCT INFO: http://www.burndy.com		MFG APRVL: P KEENAN 10/7/2009	
		QA APRVL: J BRODEUR 10/6/2009	
		MKT APRVL: K ROBICHEAU 10/5/2009	
PROD FAM: --	DRAWING NO	REV	
PROJECT #: --	SIZE	10103867	F
DOCUMENT TYPE: SALES	B	SHEET 6 OF 15	
REL LEVEL: Released			

REV	DATE	DESCRIPTION	ECO	BY	C'H.K.
F	10/29/2012	UPDATE SALES DRAWING AS PER MARKUP	29258	DD	MB



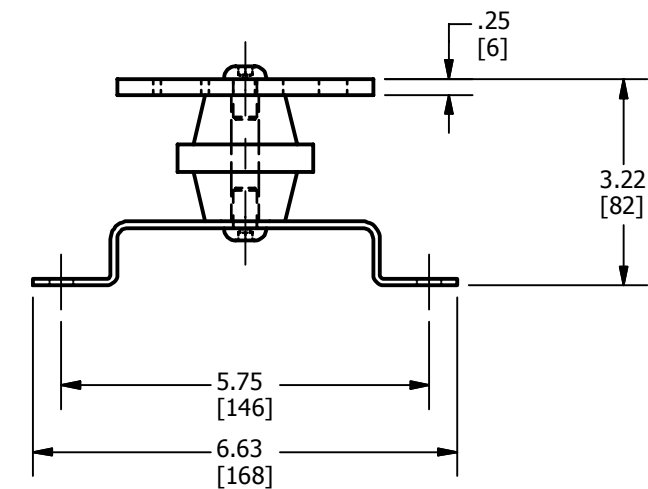
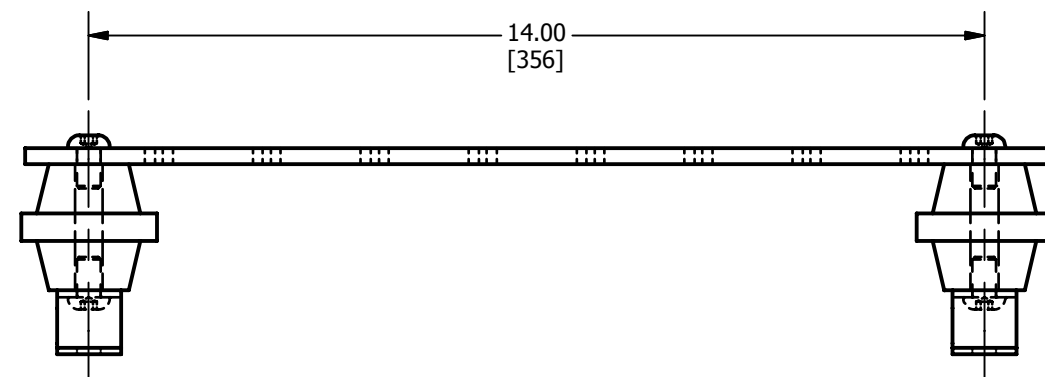
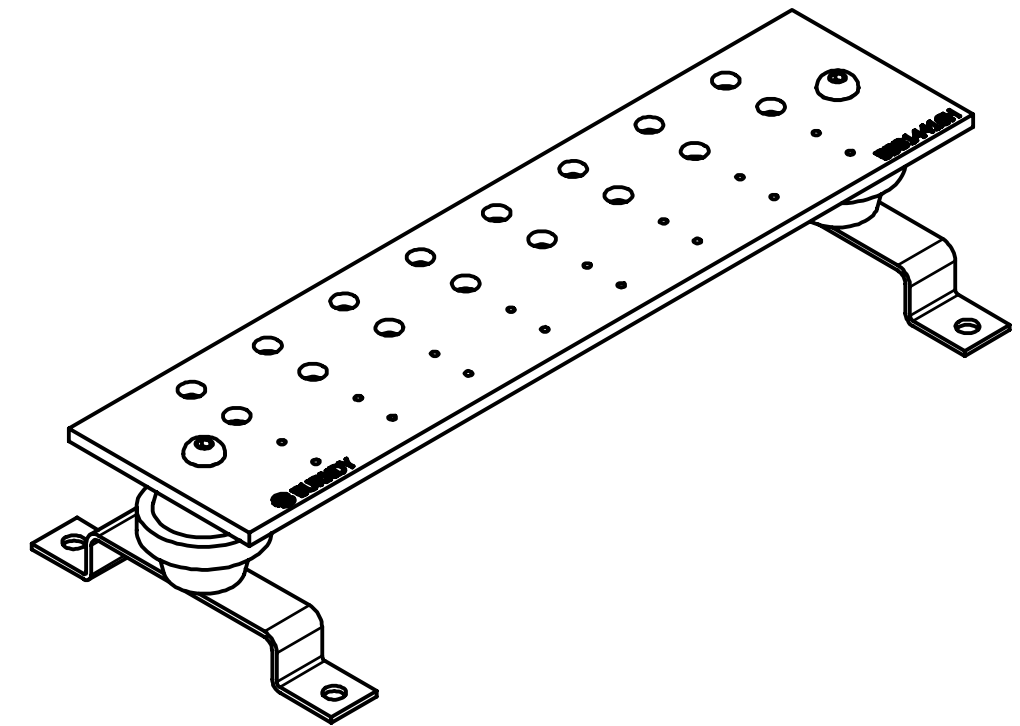
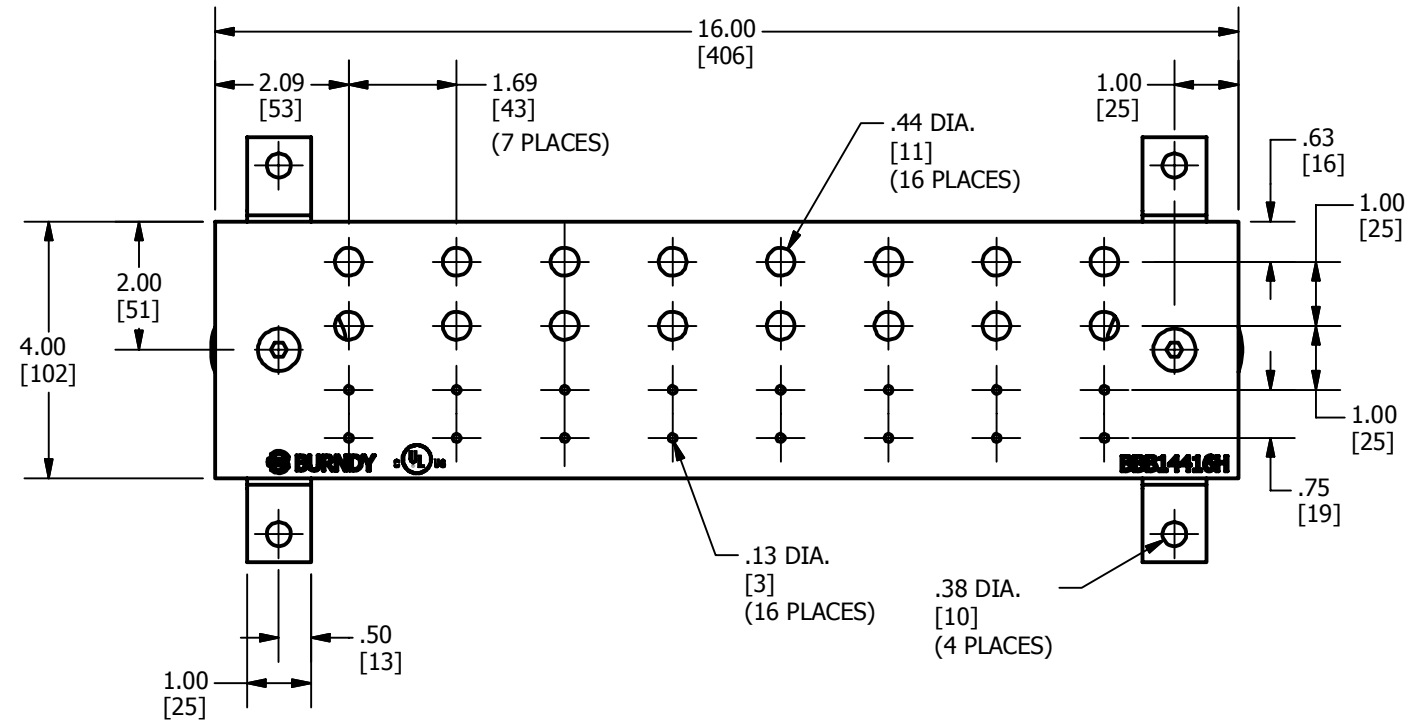
TO ORDER BURNDY PRODUCTS CALL		BUSBAR	
UNITED STATES		ITEM NO: 10104607	
1-800-346-4175 (LONDONDERRY, NH)		CAT. NO: BBB14412F	
CANADA:		DRAWN BY: A MONTMINY 8/5/2009	
1-800-361-6975 (QUEBEC)		CHECKER: K ROBICHEAU 10/5/2009	
1-800-387-6487 (ALL OTHER PROVINCES)		DSN APRVL: A MONTMINY 10/5/2009	
FOR PRODUCT INFO: http://www.burndy.com		MFG APRVL: P KEENAN 10/7/2009	
		QA APRVL: J BRODEUR 10/6/2009	
		MKT APRVL: K ROBICHEAU 10/5/2009	
PROJ #:	SIZE	DRAWING NO	REV
PROJECT #:	B	10103867	F
DOCUMENT TYPE: SALES		SHEET 7 OF 15	
REL LEVEL: Released			

REV	DATE	DESCRIPTION	ECO	BY	C'H.K.
F	10/29/2012	UPDATE SALES DRAWING AS PER MARKUP	29258	DD	MB



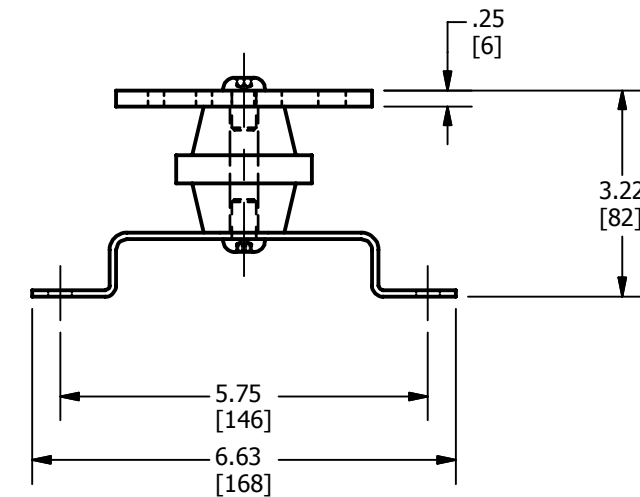
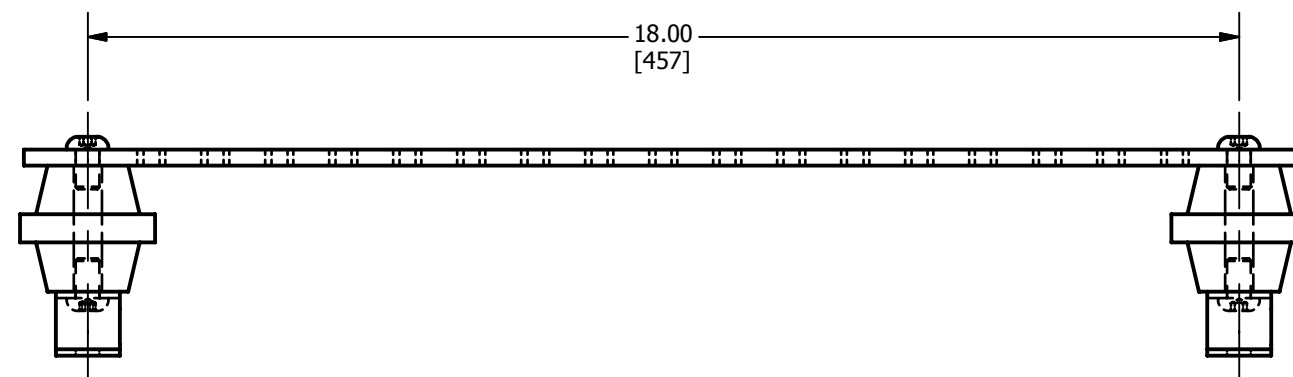
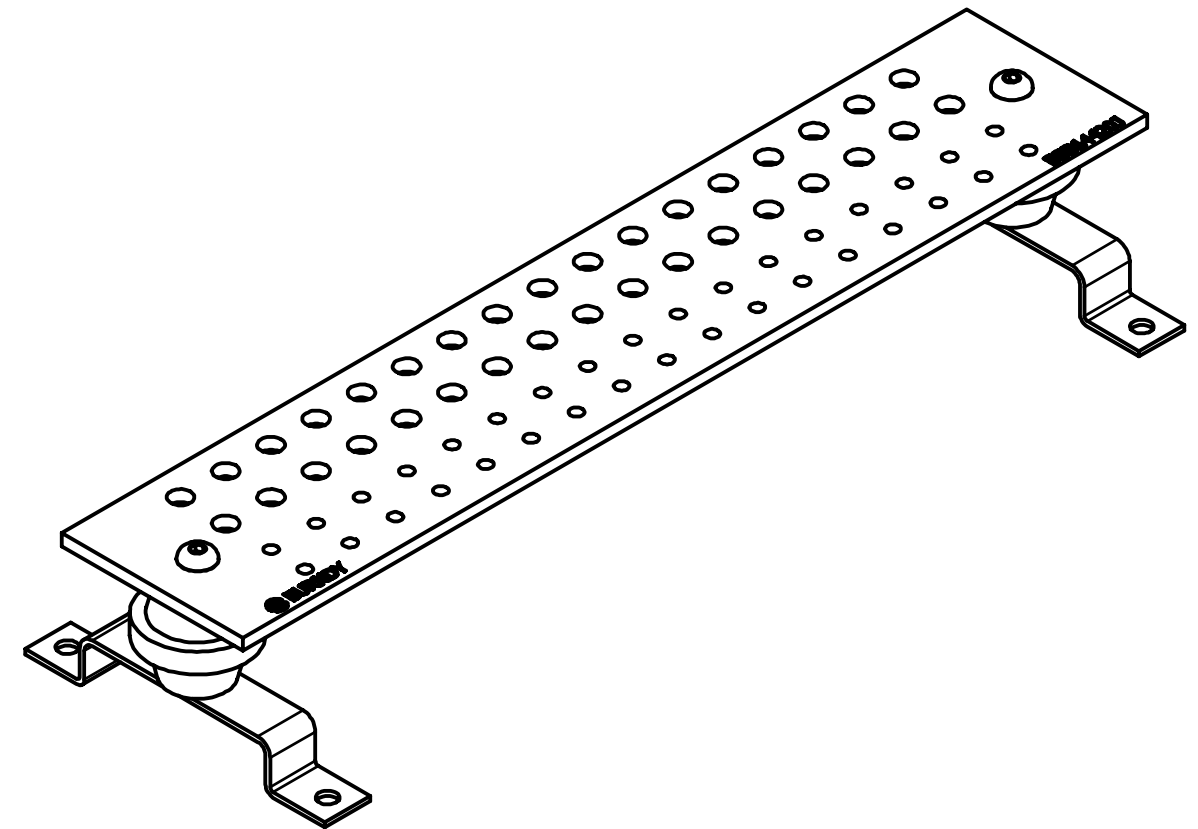
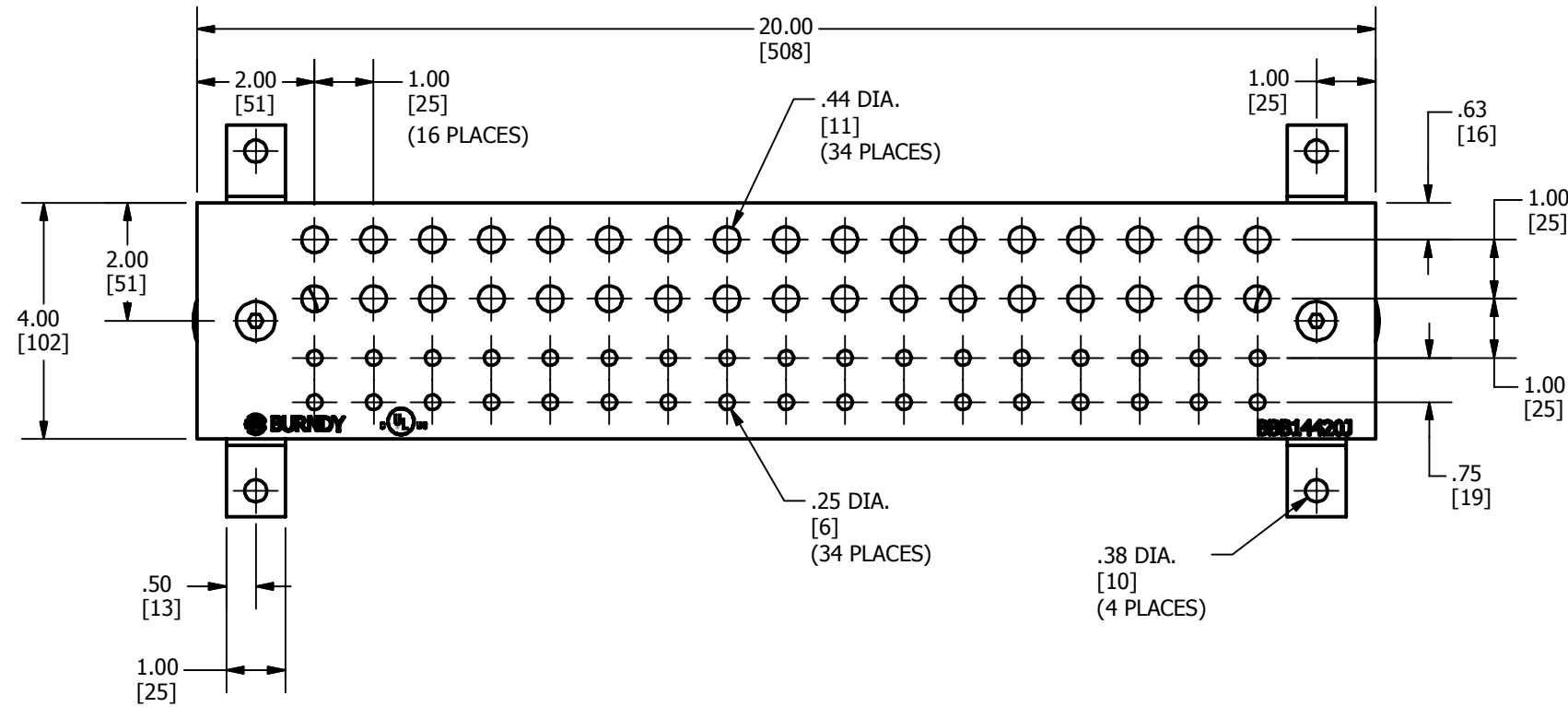
TO ORDER BURNDY PRODUCTS CALL UNITED STATES 1-800-346-4175 (LONDONDERRY, NH) CANADA: 1-800-361-6975 (QUEBEC) 1-800-387-6487 (ALL OTHER PROVINCES) FOR PRODUCT INFO: http://www.burndy.com		BUSBAR	
		ITEM NO: 10104608 CAT. NO: BBB14416G	
DRAWN BY: A MONTMINY 8/5/2009 CHECKER: K ROBICHEAU 10/5/2009 DSN APRVL: A MONTMINY 10/5/2009 MFG APRVL: P KEENAN 10/7/2009 QA APRVL: J BRODEUR 10/6/2009 MKT APRVL: K ROBICHEAU 10/5/2009			
PROD FAM: -- PROJECT #: -- DOCUMENT TYPE: SALES REL LEVEL: Released	SIZE: B	DRAWING NO: 10103867 SHEET 8 OF 15	REV: F

REV	DATE	DESCRIPTION	ECO	BY	C'H.K.
F	10/29/2012	UPDATE SALES DRAWING AS PER MARKUP	29258	DD	MB



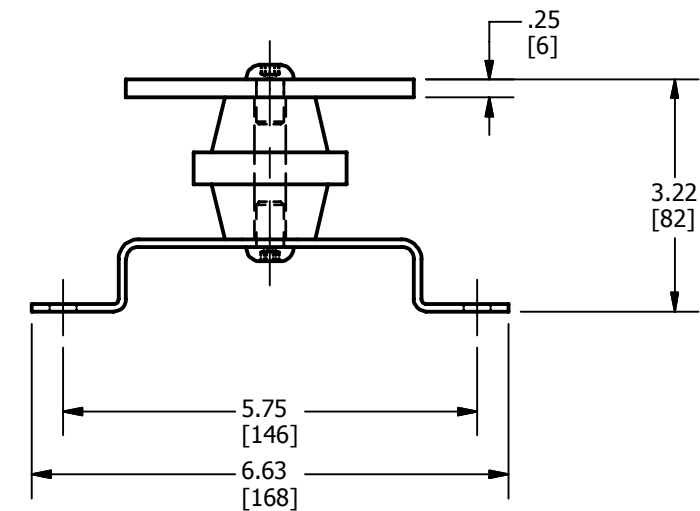
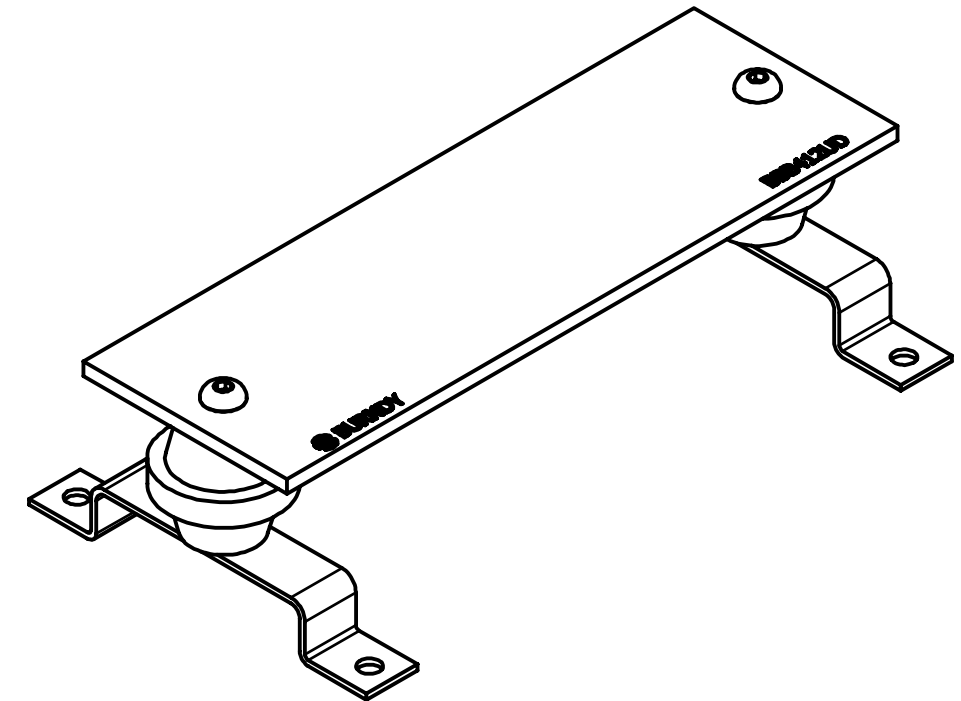
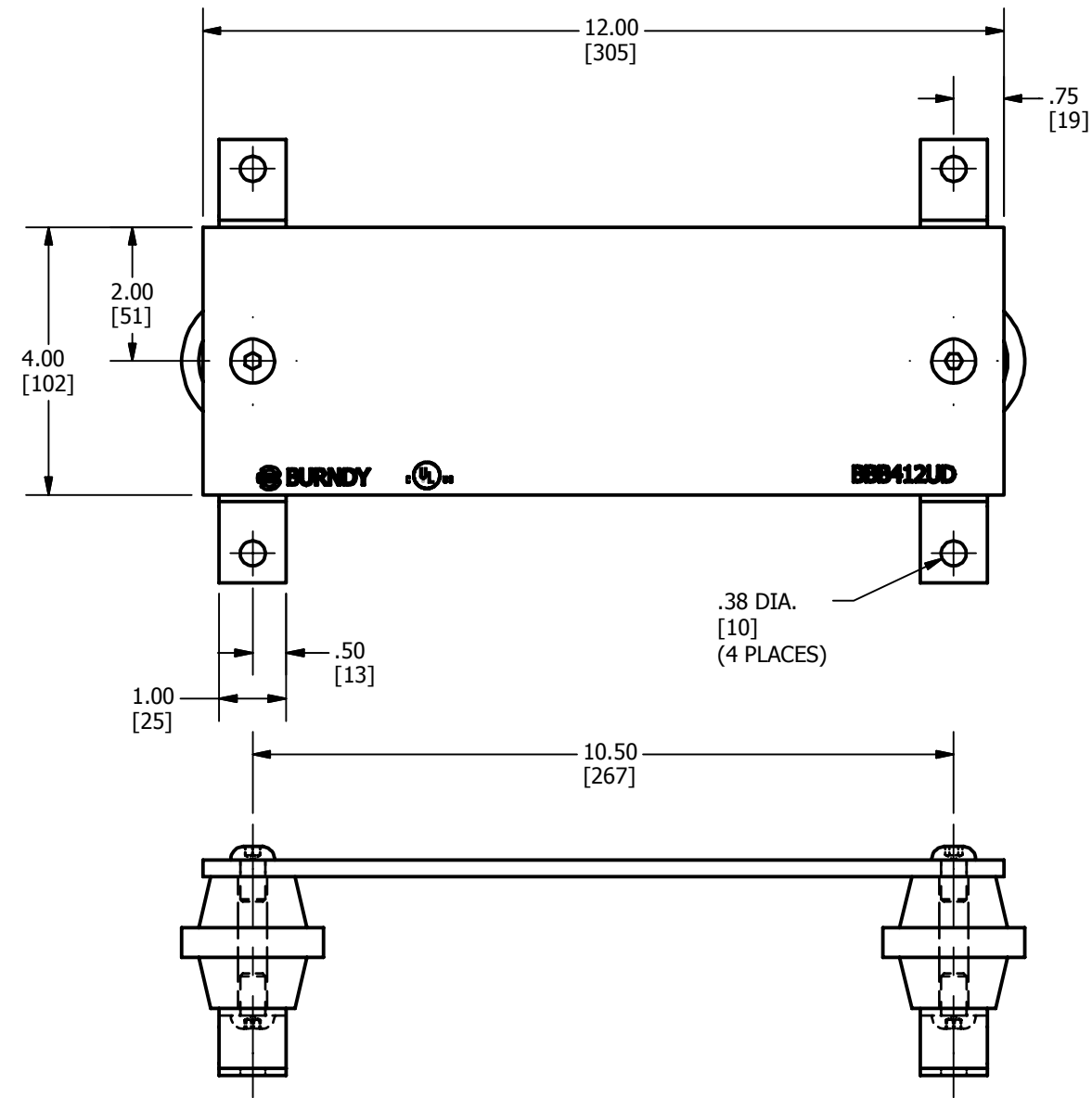
TO ORDER BURNDY PRODUCTS CALL UNITED STATES 1-800-346-4175 (LONDONDERRY, NH) CANADA: 1-800-361-6975 (QUEBEC) 1-800-387-6487 (ALL OTHER PROVINCES) FOR PRODUCT INFO: http://www.burndy.com		BUSBAR	
		ITEM NO: 10104609 CAT. NO: BBB14416H	
DRAWN BY: A MONTMINY 8/5/2009 CHECKER: K ROBICHEAU 10/5/2009 DSN APRVL: A MONTMINY 10/5/2009 MFG APRVL: P KEENAN 10/7/2009 QA APRVL: J BRODEUR 10/6/2009 MKT APRVL: K ROBICHEAU 10/5/2009			
PROD FAM: -- PROJECT #: -- DOCUMENT TYPE: SALES REL LEVEL: Released	SIZE: B	DRAWING NO: 10103867 SHEET 9 OF 15	REV: F

REV	DATE	DESCRIPTION	ECO	BY	C'H.K.
F	10/29/2012	UPDATE SALES DRAWING AS PER MARKUP	29258	DD	MB



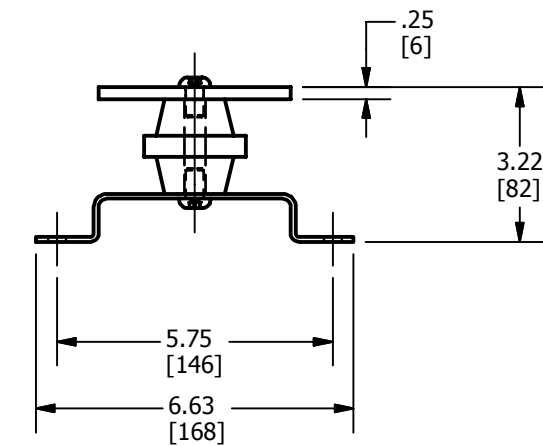
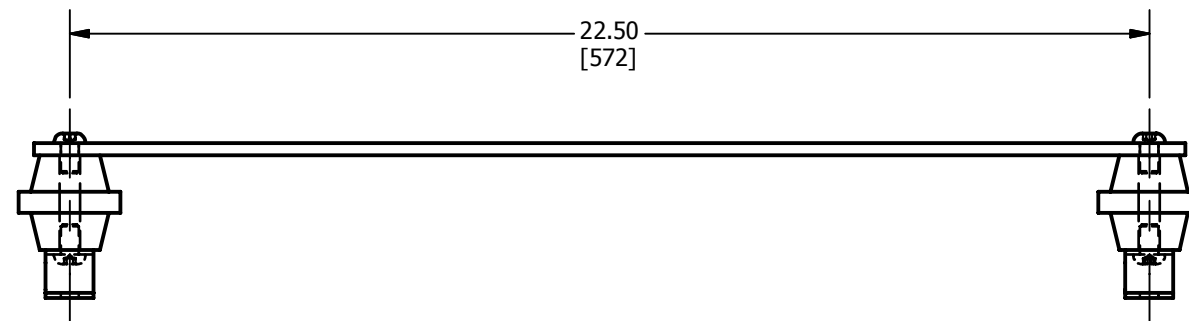
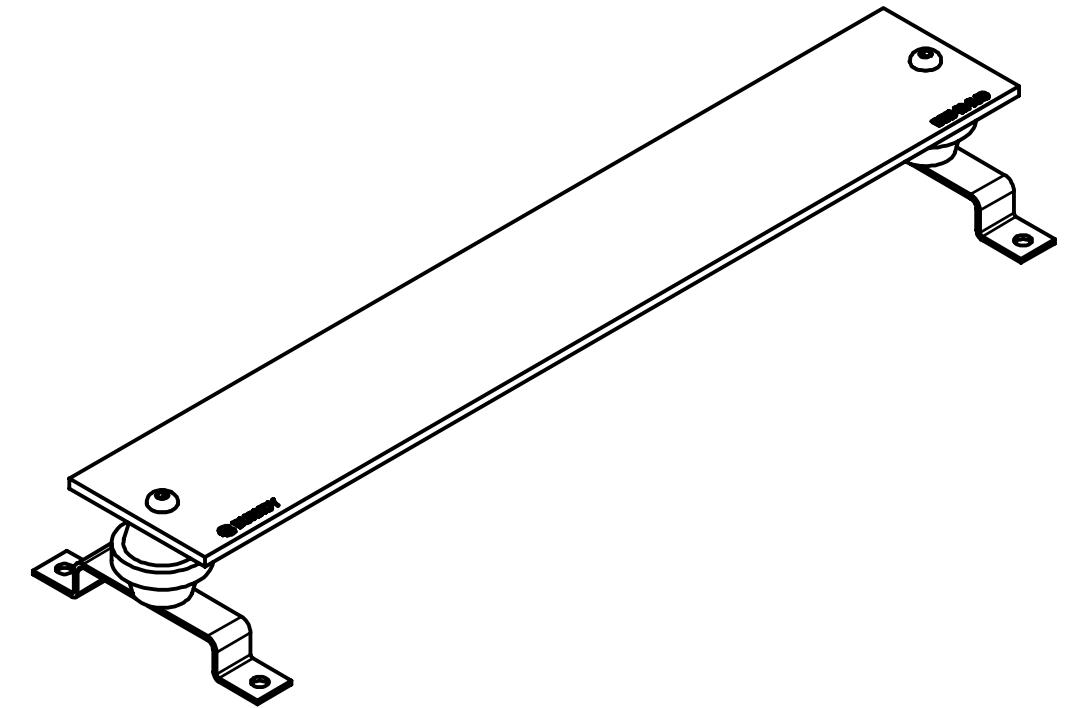
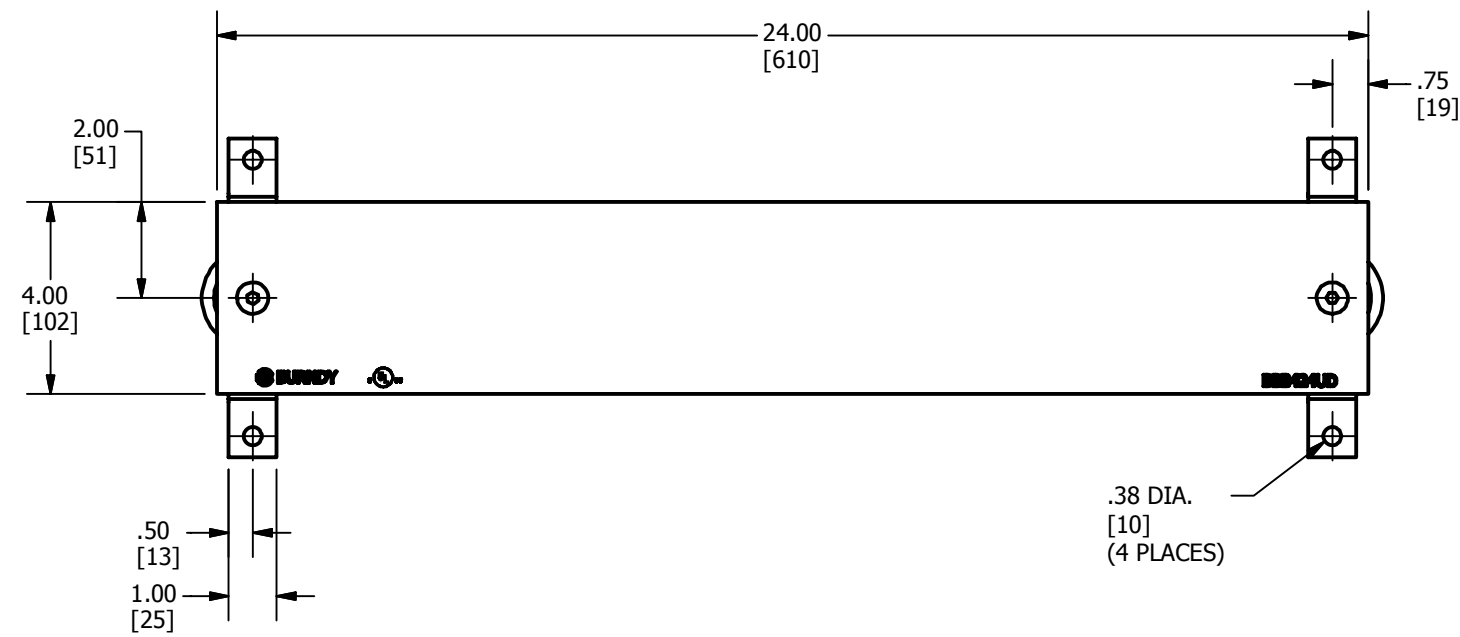
TO ORDER BURNDY PRODUCTS CALL		BUSBAR	
UNITED STATES		ITEM NO: 10104610	
1-800-346-4175 (LONDONDERRY, NH)		CAT. NO: BBB14420J	
CANADA:		DRAWN BY: A MONTMINY 8/5/2009	
1-800-361-6975 (QUEBEC)		CHECKER: K ROBICHEAU 10/5/2009	
1-800-387-6487 (ALL OTHER PROVINCES)		DSN APRVL: A MONTMINY 10/5/2009	
FOR PRODUCT INFO: http://www.burndy.com		MFG APRVL: P KEENAN 10/7/2009	
		QA APRVL: J BRODEUR 10/6/2009	
		MKT APRVL: K ROBICHEAU 10/5/2009	
PROD FAM: --	DRAWING NO	REV	
PROJECT #: --	SIZE	10103867	F
DOCUMENT TYPE: SALES	B	SHEET 10 OF 15	
REL LEVEL: Released			

REV	DATE	DESCRIPTION	ECO	BY	C'H'K.
F	10/29/2012	UPDATE SALES DRAWING AS PER MARKUP	29258	DD	MB



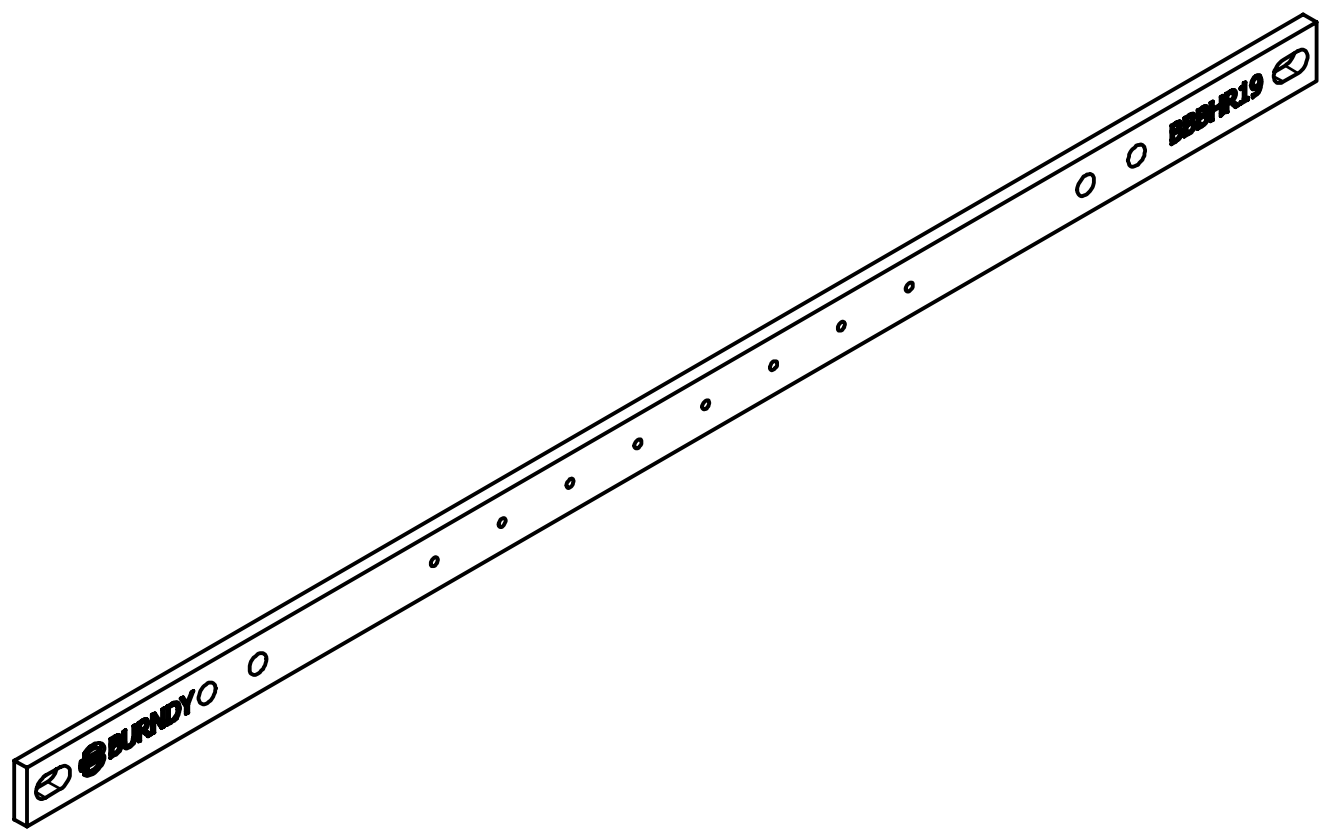
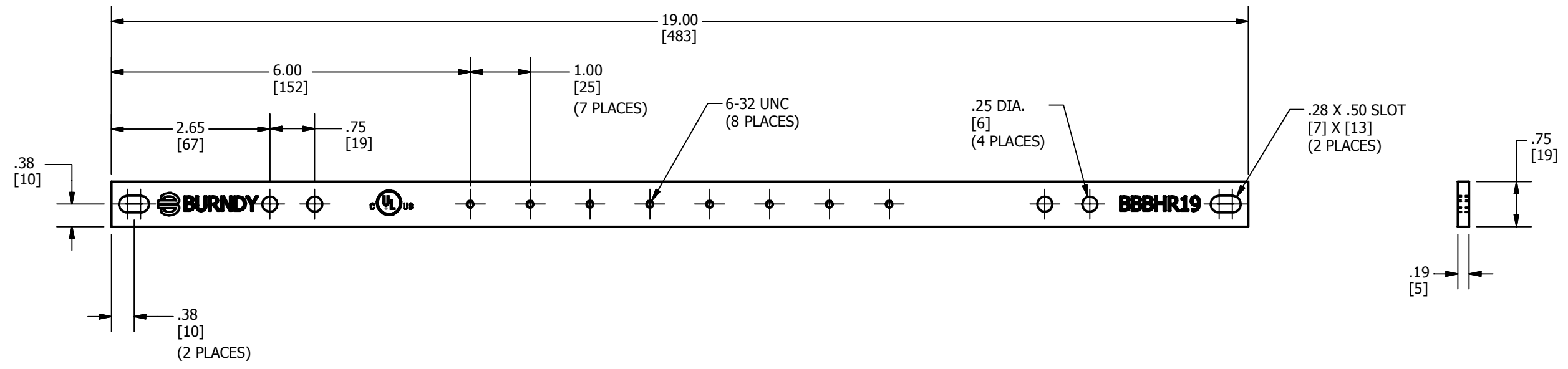
TO ORDER BURNDY PRODUCTS CALL		BUSBAR	
UNITED STATES		ITEM NO: 10104613	
1-800-346-4175 (LONDONDERRY, NH)		CAT. NO: BBB412UD	
CANADA:		DRAWN BY: A MONTMINY 8/5/2009	
1-800-361-6975 (QUEBEC)		CHECKER: K ROBICHEAU 10/5/2009	
1-800-387-6487 (ALL OTHER PROVINCES)		DSN APRVL: A MONTMINY 10/5/2009	
FOR PRODUCT INFO: http://www.burndy.com		MFG APRVL: P KEENAN 10/7/2009	
		QA APRVL: J BRODEUR 10/6/2009	
		MKT APRVL: K ROBICHEAU 10/5/2009	
PROD FAM: --	DRAWING NO	REV	
PROJECT #: --	SIZE	10103867	F
DOCUMENT TYPE: SALES	B	SHEET 11 OF 15	
REL LEVEL: Released			

REV	DATE	DESCRIPTION	ECO	BY	C'H.K.
F	10/29/2012	UPDATE SALES DRAWING AS PER MARKUP	29258	DD	MB



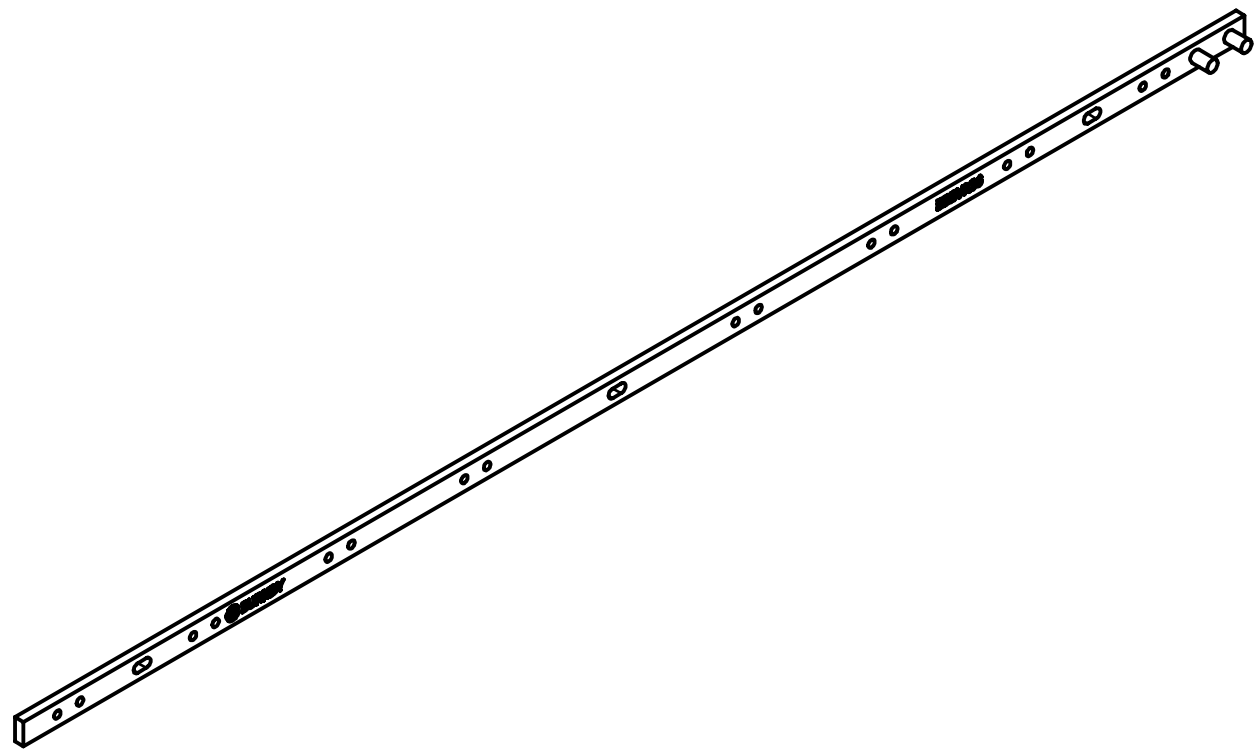
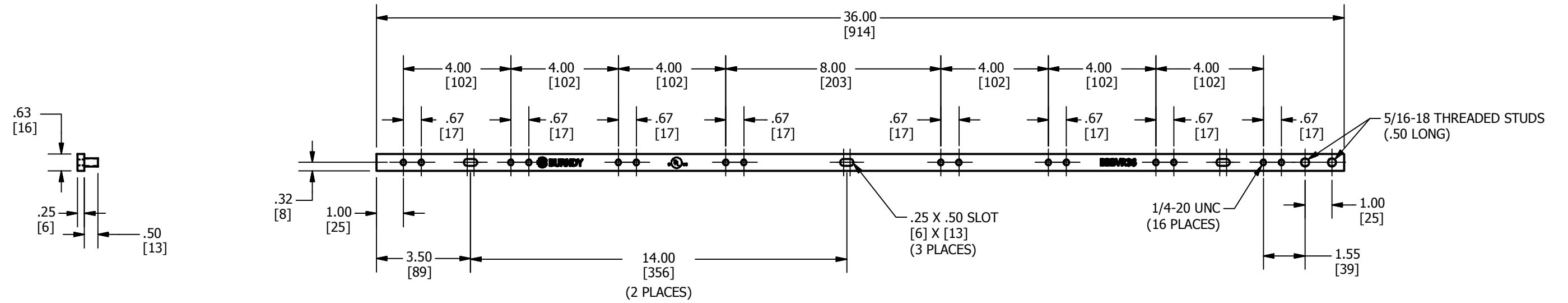
TO ORDER BURNDY PRODUCTS CALL UNITED STATES 1-800-346-4175 (LONDONDERRY, NH) CANADA: 1-800-361-6975 (QUEBEC) 1-800-387-6487 (ALL OTHER PROVINCES) FOR PRODUCT INFO: http://www.burndy.com		BUSBAR	
		ITEM NO: 10104614	CAT. NO: BBB424UD
DRAWN BY: A MONTMINY 8/5/2009			
CHECKER: K ROBICHEAU 10/5/2009			
DSN APRVL: A MONTMINY 10/5/2009			
MFG APRVL: P KEENAN 10/7/2009			
QA APRVL: J BRODEUR 10/6/2009			
MKT APRVL: K ROBICHEAU 10/5/2009		PROJ #:	SIZE:
PROJ #:		SIZE:	10103867
DOCUMENT TYPE: SALES		REL LEVEL:	B
REL LEVEL: Released		DRAWING NO:	10103867
		REV:	F
		SHEET 12 OF 15	

REV	DATE	DESCRIPTION	ECO	BY	C'HK.
F	10/29/2012	UPDATE SALES DRAWING AS PER MARKUP	29258	DD	MB



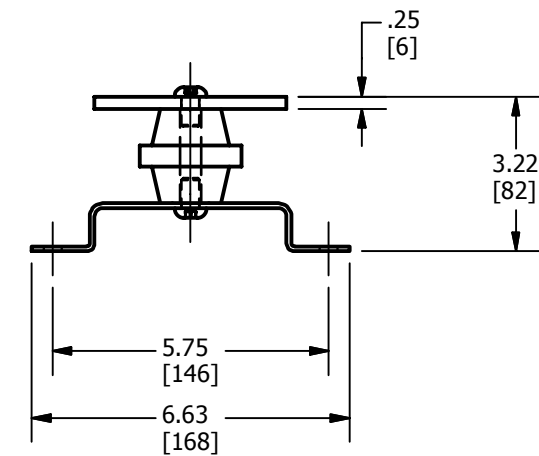
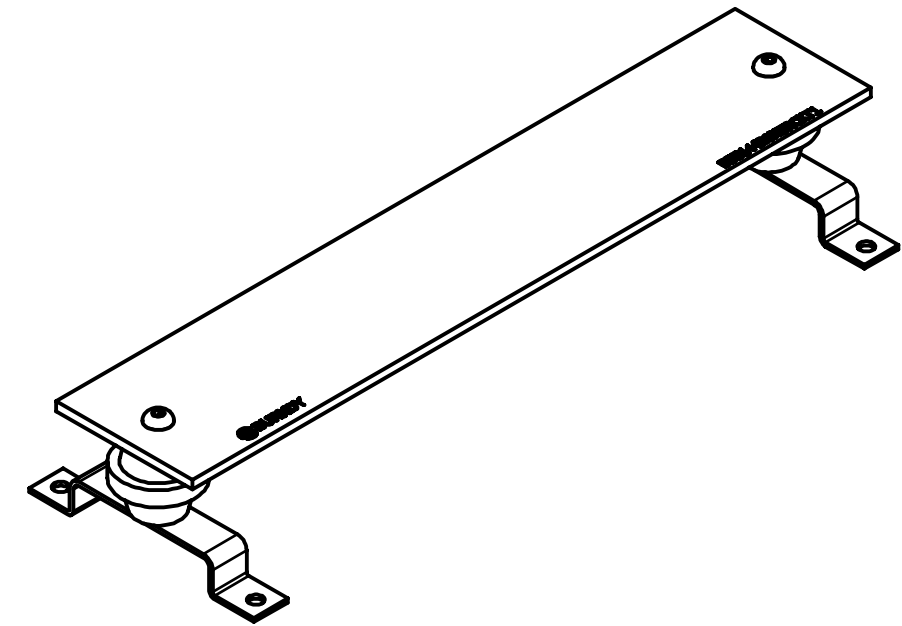
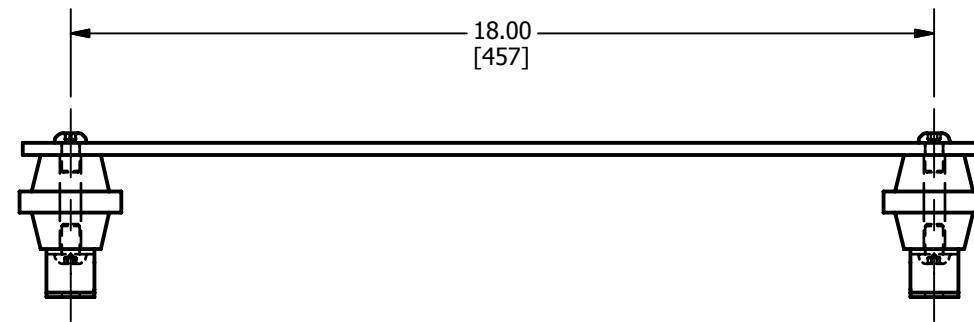
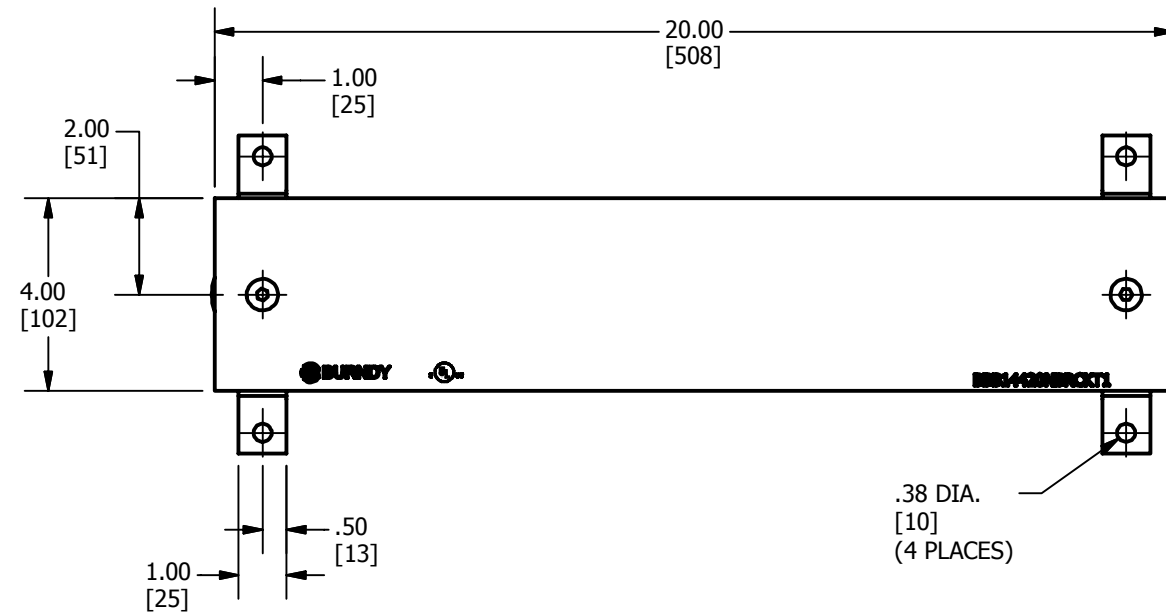
TO ORDER BURNDY PRODUCTS CALL UNITED STATES 1-800-346-4175 (LONDONDERRY, NH) CANADA: 1-800-361-6975 (QUEBEC) 1-800-387-6487 (ALL OTHER PROVINCES) FOR PRODUCT INFO: http://www.burndy.com		BUSBAR	
		ITEM NO: 10104611 CAT. NO: BBBHR19	
DRAWN BY: A MONTMINY 8/5/2009 CHECKER: K ROBICHEAU 10/5/2009 DSN APRVL: A MONTMINY 10/5/2009 MFG APRVL: P KEENAN 10/7/2009 QA APRVL: J BRODEUR 10/6/2009 MKT APRVL: K ROBICHEAU 10/5/2009			
PROD FAM: -- PROJECT #: -- DOCUMENT TYPE: SALES REL LEVEL: Released	SIZE B	DRAWING NO 10103867 SHEET 13 OF 15	REV F

REV	DATE	DESCRIPTION	ECO	BY	C'H.K.
F	10/29/2012	UPDATE SALES DRAWING AS PER MARKUP	29258	DD	MB



TO ORDER BURNDY PRODUCTS CALL		BUSBAR	
UNITED STATES		ITEM NO: 10104612	
1-800-346-4175 (LONDONDERRY, NH)		CAT. NO: BBBVR36	
CANADA:		DRAWN BY: A MONTMINY 8/5/2009	
1-800-361-6975 (QUEBEC)		CHECKER: K ROBICHEAU 10/5/2009	
1-800-387-6487 (ALL OTHER PROVINCES)		DSN APRVL: A MONTMINY 10/5/2009	
FOR PRODUCT INFO: http://www.burndy.com		MFG APRVL: P KEENAN 10/7/2009	
		QA APRVL: J BRODEUR 10/6/2009	
		MKT APRVL: K ROBICHEAU 10/5/2009	
PROD FAM: --	DRAWING NO	REV	
PROJECT #: --	SIZE	10103867	F
DOCUMENT TYPE: SALES	B	SHEET 14 OF 15	
REL LEVEL: Released			

REV	DATE	DESCRIPTION	ECO	BY	C'H.K.
F	10/29/2012	UPDATE SALES DRAWING AS PER MARKUP	29258	DD	MB



TO ORDER BURNDY PRODUCTS CALL		BUSBAR	
UNITED STATES		ITEM NO: 10109680	
1-800-346-4175 (LONDONDERRY, NH)		CAT. NO: BBB14420NBCKT1	
CANADA:		DRAWN BY: A MONTMINY 8/5/2009	
1-800-361-6975 (QUEBEC)		CHECKER: K ROBICHEAU 10/5/2009	
1-800-387-6487 (ALL OTHER PROVINCES)		DSN APRVL: A MONTMINY 10/5/2009	
FOR PRODUCT INFO: http://www.burndy.com		MFG APRVL: P KEENAN 10/7/2009	
		QA APRVL: J BRODEUR 10/6/2009	
		MKT APRVL: K ROBICHEAU 10/5/2009	
PROD FAM: --	DRAWING NO	REV	
PROJECT #: --	SIZE	10103867	F
DOCUMENT TYPE: SALES	B	SHEET 15 OF 15	
REL LEVEL: Released			