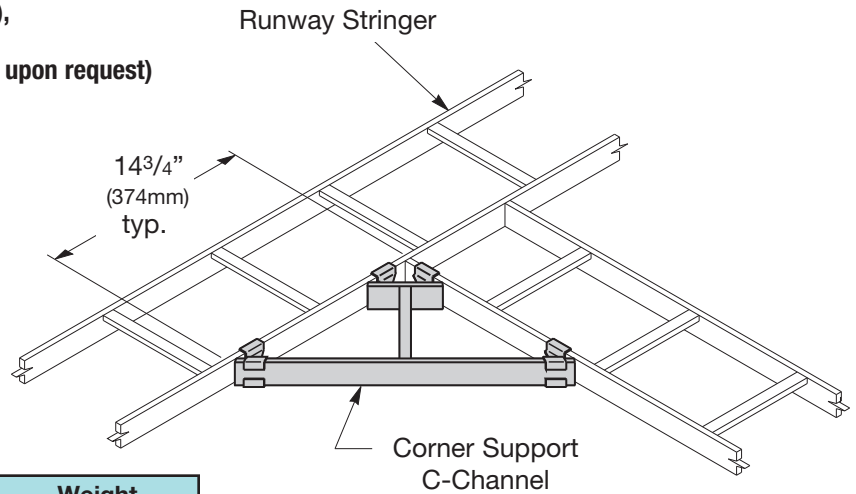


90° Corner Support Kit

- Use to provide additional support for intersecting cable runway and larger cable bend radius.
- Includes: (1) mitered runway section, (4) clamps and 3/8"-16 hardware.
- Material: ASTM A570 structural steel
- Finish ___: Yellow Zinc (YZ),
Telco Gray Powder Coat (TG),
Flat Black Powder Coat (FB)
(Other finishes are available upon request)
- UL Classified - file number E60548



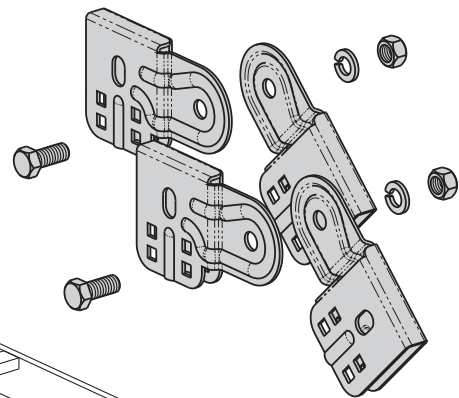
Part Number	Runway Height		Weight	
	In.	(mm)	Lbs.	(kg)
SB2104___	1 1/2"	(38)	2.80	(1.27)

Adjustable Butt Splice Kit

- Use for vertical change in direction of cable runway.
- Includes: (2) splices and hardware.
- Attachment holes match 13/32" (10mm) holes in solid bar stringers.
- Works with both 1 1/2" & 2" stringer runways.
- Adjusts 180°.
- Material: ASTM A570 structural steel
- Finish ___: Yellow Zinc (YZ) or Black Zinc (BZ)
- UL Classified - file number E60548



Runway Stringer



Part Number	Weight	
	Lbs.	(kg)
✓ SB2110A___	2.40	(1.09)

✓ BZ & YZ are popular items