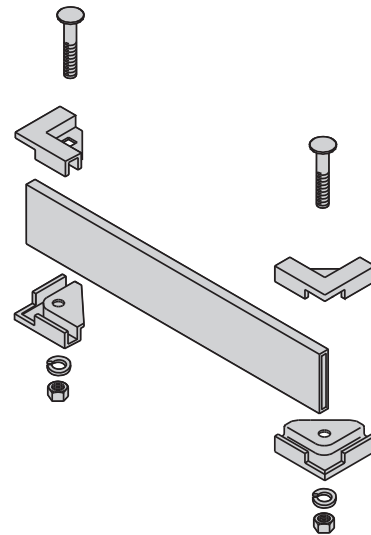
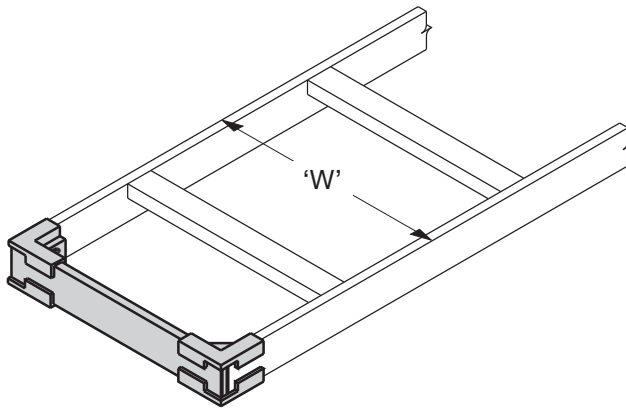


Runway Termination Kit

- Use to close end of cable runway.
- No drilling required for installation.
- Includes: (1) termination end, (2) clamps, and 3/8"-16 hardware.
- Material: ASTM A513 steel tube
- Finish___: Yellow Zinc (YZ),
Telco Gray Powder Coat (TG) or
Flat Black Powder Coat (FB)
(Other finishes are available upon request)



1 1/2" (38mm) Tube Stringers

Part Number	'W' Runway Width		Weight	
	In.	(mm)	Lbs.	(kg)
SB210506___	6"	(152)	1.0	(0.45)
SB210509___	9"	(228)	1.2	(0.54)
SB210512___	12"	(305)	1.4	(0.63)
SB210515___	15"	(381)	1.5	(0.68)
SB210518___	18"	(457)	1.7	(0.77)
SB210520___	20"	(508)	1.9	(0.86)
SB210524___	24"	(609)	2.1	(0.95)
SB210530___	30"	(762)	2.5	(1.13)
SB210536___	36"	(914)	2.9	(1.31)