

Climate Control Products

Filter Fans NEMA 1 Box Fan

Description

High airflow with low noise operations makes these versatile packaged fans very popular in a wide range of applications. Reversible mounting brackets allow user to push or pull air through the enclosure. In addition, these fans can be installed internally or externally, vertically or horizontally, with or without a filter. Utilizing the special motor-mount isolation system, these fans operate virtually vibration-free. Front and rear grilles can be adjusted to accommodate or omit filter. Filter slides in and out easily for cleaning and replacement.



Accessories

All Packaged Fans

- Filter Recoating Adhesive
- Replacement Filters (531F for KP40, 681F for KP60, 1081F for KP100)
- Special materials or external finishes
- Special motors, line cords or connectors
- Variable Speed Control
- Adapters
- Grille Assemblies (KFG40, KFG60, KFG100) includes filter

Features

- Exceptionally quiet
- Versatile mounting and adaptability
- Heavy-gauge steel construction
- UL/CSA ball-bearing motors
- Attractive stainless steel grilles
- All models can pressurize or exhaust
- Accessories and options

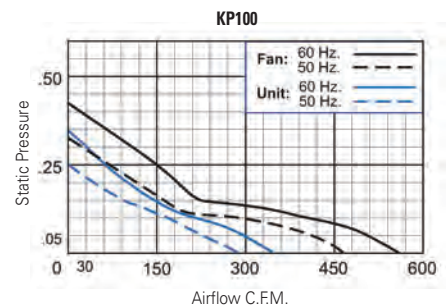
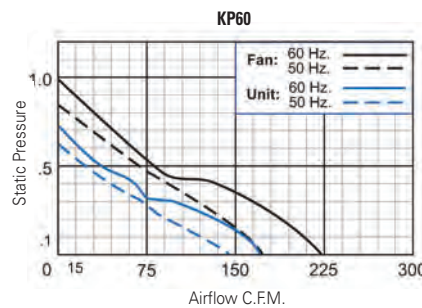
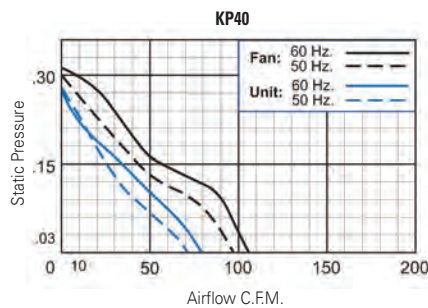
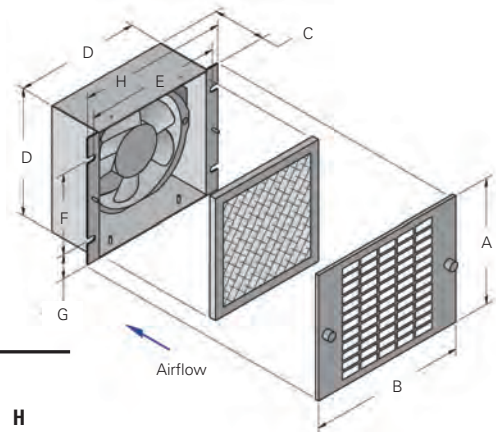
Technical Data

Catalog Number	CFM@ 0-inches	RPM nominal	Running Amps		Watts	Volts	Weight (Lbs.)
			Run.	L.P.			
KP40	105	3000	0.18	0.33	15	115†	3.0
KP60	220	3300	0.29	0.35	33	115†	4.0
KP100	550	1600	0.49	1.30	60	115†	10.0

Dimensions Inches (mm)

Catalog No.	A	B	C	D	E	F	G	H
KP40	6.13 (156)	7.38 (187)	2.37 (60)	5.62 (143)	6.37 (162)	4.12 (104)	.75 (19)	7.00 (178)
KP60	7.63 (194)	8.87 (125)	3.00 (76)	7.12 (181)	7.87 (200)	4.50 (114)	1.31 (33)	8.50 (216)
KP100	11.63 (295)	13.00 (330)	4.56 (116)	11.12 (282)	11.87 (310)	6.87 (174)	2.12 (54)	12.50 (317)

† For 230 volt models add a "2" after the "K" in the catalog number.



Additional Specifications

Permanent Filter: Furnished with each packaged fan.

Grille/Guard: KP40, KP60 and KP100 each include a rear guard and an attractive stainless steel grille and knurled captive fasteners for easy removal. Grilles and guards comply with OSHA and UL safety standards.

Notes: Data subject to change without notice.

Consult factory for special requirements. Dimensions are in inches. Millimeters shown in [] are for reference only.