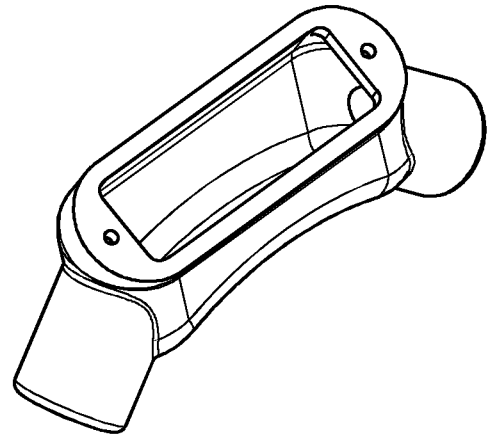
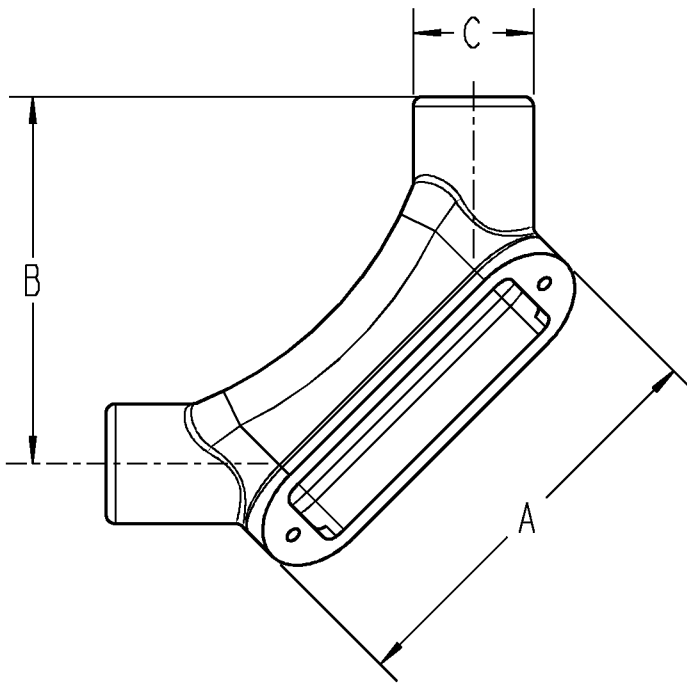




T&B Conduit Bodies



NOTES:

1. MATERIAL: CLASS 30 GRAY IRON
2. FINISH: BLUEKOTE
3. LISTED FOR 40% WIRE FILL
4. LISTED AS ENCLOSURE FOR SPLICES
5. ALL DIMENSIONS ARE REFERENCE ONLY
6. ALL HUBS NPT THREADS
7. STANDARD FORM 8 COVER INTERFACE

LU68	2"	111.8	2" LU CONDUIT BODY	9.797 (249)	8.500 (215.9)	2.900 (73.7)
LU58	1-1/2"	45.3	1-1/2" LU CONDUIT BODY	7.938 (201)	7.000 (177.8)	2.450 (62.2)
LU48	1-1/4"	27.0	1-1/4" LU CONDUIT BODY	6.730 (171)	5.975 (151.8)	2.200 (55.9)
LU38	1"	14.8	1" LU CONDUIT BODY	5.625 (143)	5.050 (128.3)	1.700 (43.2)
LU28	3/4"	8.3	3/4" LU CONDUIT BODY	4.921 (125)	4.245 (107.8)	1.500 (38.1)
LU18	1/2"	4.8	1/2" LU CONDUIT BODY	4.320 (110)	3.825 (97.2)	1.250 (31.8)
CAT #	SIZE	CU. IN.	DESCRIPTION	DIM A	DIM B	DIM C

GENERAL NOTES

1. ALL DIMENSIONS ARE FOR REFERENCE ONLY.
2. DIMENSIONS IN BRACKETS [] ARE IN METRIC UNITS.

REVISIONS

- | | |
|---|--|
| - | SEE ERN (****) FOR APPROVAL SIGNATURES & RELEASE DATE.
PROJECT NO: **** |
|---|--|

Thomas & Betts

www.tnb.com

DESCRIPTION:

FORM 8 LU STYLE CONDUIT BODY

ORIGINAL PROJECT NO / (ERN NO)

RD55904 (2011762)

SHEET NO:

1 OF 1

REV. NO:

-

DRAWING NO:

WSD-000563