

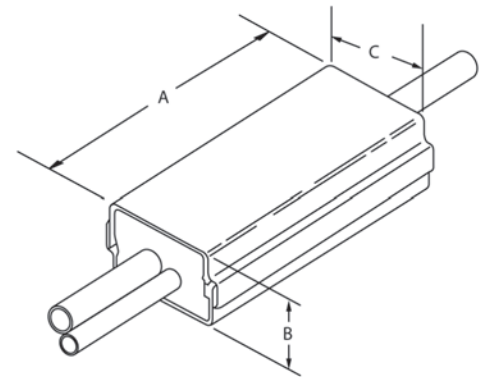
Splice Insulators and Insulating Covers

H-Tap Insulating Covers (Hard Covers)

- Interlocking insulating covers for H-type compression taps
- Easy installation: place the H-Tap in the cover and snap the cover closed
- Consult your Regional Sales Office for flame-retardant version
- Can also be used on C-Taps



Cat. No.	Nominal Dimensions in.			Std. Pkg. Qty.
	A (Length)	B (Thick.)	C (Width)	
HTC2S	2	1.13	1.44	15
HTC2	3.5			
HTC40	4.25	1.56	2	2
HTC40L2	5.75			
HTC500	6	1.75	2.75	8
HTC1000	7	2.38	3.88	2
HTC1000L	10			3



Specifications

- HTC2 and HTC2S use insulation wrap instead of end cushions for inner seal
- Connector Cat. Nos. 54755 through 54790 and 63148 through 63180 require hydraulic crimping tools. Refer to instruction sheets
- Outer Hard Shell Covers: High-impact black thermoplastic (Noryl) Flammability Class, UL 94V-1
- Inner seal: Black neoprene sponge soft closed cell, oxygen index 28% UL 94 HBF
- Temperature Rating: 90°C Maximum
- Voltage Rating: 600 V Maximum

For H-Tap Applications

Cover Cat. No.	AL/CU H-Tap No.	CU H-Tap
HTC2	63105	—
HTC2S	—	CHT814-10
HTC40	63110	CHT214-9
	63118	CHT250214-8
	63125	CHT2514-7
	63140	CHT2502-6
HTC500	63148	CHT50010-5/CHT50040-4
	63160	CHT75010-3/CHT750350-2
HTC1000L	63170	—
HTC1000	63180/63169	CHT750350-1F

For C-Tap Applications

Cover Cat. No.	C-Tap No.	Colour Code
HTC40	54720	Brown
	54725	Green
	54730	Pink
	54755	Blue
	54760	Brown
HTC40L2	54735	Black
	54740	Orange
	54745	Purple
	54750	Yellow
HTC500	54765	Pink
	54770	Black
	54775	Yellow
	54780	White
	54785	—
HTC1000	54790	—

Splice Insulators and Insulating Covers

H-Tap Insulating Covers (Soft Covers)



- Eliminates taping
- Provided with three positive locking latches and overlapping fringe for maximum cable insulation

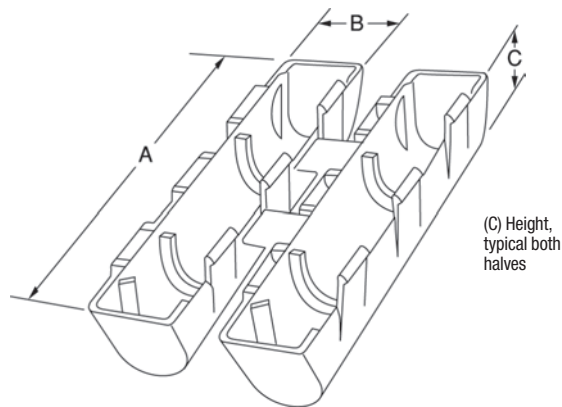


Cat. No.	Wire Range		Installs "H" Tap Cat. No.	Std. Pkg. Qty.
	Min.	Max.		
HT20C	6	2/0	63110 & 63125	50
HT40C		4/0	63140 & 63148	25
HT600C	2	500 kcmil	63160 & 63169	10
HT1000C	1/0	750 kcmil	63180	5
HT1000C-L		1000 kcmil	63170	

Order multiple is std. pkg.

Specifications

- Rating: 90°C, 600 V
- Material: Flame-retardant, high-impact polypropylene
- Colour: Black



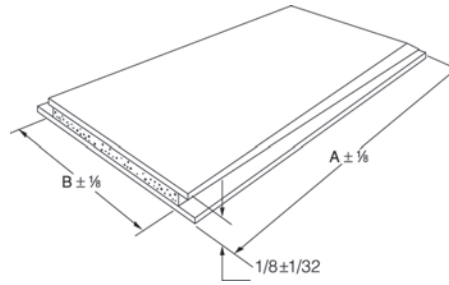
H-Tap Insulating Covers

N° de cat.	Wire Range		Use to insulate T&B H-Taps	In.			"A" Dim.	"B" Dim.
	Max.	Min.		A	B	C		
HT20C	2/0	6	6110/63115 63125/63120	4.5	1.25	1.13	-	-
HT40C	4/0		63140 63148	5.61	1.41	1.19		
HT600C	500 kcmil	2	63160/63169	6.81	2.13	1.45		
HT1000C	100 kcmil to 500 kcmil	250 kcmil to 1/0 AWG	63180	-	-	-	[184.15 mm] 7.250	2.330 +0.060
HT1000C-L	1000 kcmil to 500 kcmil	250 kcmil to 250 kcmil	63170	-	-	-	[263.40 mm] 10.374	

Splice Insulators and Insulating Covers

Adhesive Insulating Covers

- Seals against moisture
- Voltage rating up to 600 V
- Workable from -10°C to 49°C (14°F to 120°F)
- Maximum operating temperature of 80°C (176°F)
- No installing tools required
- Also available in 10' rolls; consult your Regional Sales Office



Electrical

- Dielectric Constant: 3.2 ASTM-D150 (60 Hz)
- Power Factor: 0.07 ASTM-D150 (60 Hz)
- Dielectric Strength: 340 V/mil ASTM-D1373

Chemical

- Water Absorption: 0.06% ASTM-570
- Ozone Resistance: Excellent: 0.03% ASTM-D1373
- Corrosion None Visible: per ASTM-D 69



Cat. No.	A (in.)	B (in.)	Std. Pkg. Qty.
AC 5 x 3	5	3	10
AC 5 x 7		7	
AC 85 x 75	8.5	7.5	5
AC 85 x 105		10.5	

Order multiple is std. pkg.

- UL Listed – for use with T&B Covers
- For “H” Taps, “C” Taps, two-way connectors, mechanical taps, and Color-Keyed® lugs and joints
- Material: 6 mil vinyl backing, butyl rubber mastic adhesive thickness 1/8 in. approx. Polyethylene release sheet
- Not for submersion in liquid

Adhesive Insulator Cat. Nos.	Compression Lug Cat. Nos.									Compression Two-Way Connector Cat. Nos.			“H” Tap Cat. Nos.	“C” Tap Cat. Nos.	Compression Cable Joint Cat. Nos.	
AC5X3 Size Key #2	60096	60113	60130	60150	54132	54145	54160	54207	54906	54860	60500	–	54806	63105	54710	54610
	60097	60114	60150	60151	54134	54108	54162	54208	54942	54862	60501	–	54807	–	54715	54615
	60099	60016	60230	60230	54105	54147	54163	54255	54947	54864	60507	–	54806	–	54720	54620
	60101	60017	60236	60236	54135	54148	54111	54209	54909	54866	60512	–	54504	–	54725	54625
	60102	60018	60238	60238	54136	54150	54165	54210	54910	–	60516	–	54505	–	54730	54630
	60103	60120	60242	60242	54138	54152	54167	54260	54965	–	60905	–	54506	–	54735	54635
	60104	60122	60244	60244	54106	54153	54168	54211	54970	–	60910	–	54507	–	54740	–
	60106	60123	60248	60248	54139	54109	54112	54265	54850	–	60915	–	54506	–	54745	–
	60107	60124	60250	60250	54140	5415	54170	54212	54852	–	60920	–	54509	–	54750	–
	60108	60126	54104	54104	54107	54157	54204	54270	54854	–	60925	–	54500	–	–	–
	60109	60128	54130	54130	54142	54158	54205	54930	54856	–	54804	–	54511	–	–	–
	60112	60129	54131	54131	54143	54110	54206	54905	54858	–	54805	–	–	–	–	–
AC 5 x 7 Size Key #4	–	60152	60169	60267	54173	54115	54129	54222	54920	–	60522	60945	54516	63110	54755	54640
	–	60153	60174	60268	54174	54183	54213	54291	54923	–	60530	60950	54518	63115	54760	54645
	–	60154	60172	60269	54113	54116	54275	54223	54928	–	60538	60955	54809	63120	54765	54650
	–	60156	60174	60271	58161	54185	54214	54295	54868	–	60542	60960	54810	63125	54770	–
	–	60157	60176	60276	58162	54118	54280	54224	54870	–	60548	60965	54811	–	54775	–
	–	60159	60178	60274	58163	54187	54215	54226	54872	–	60554	60970	54812	–	54780	–
	–	60160	60180	60275	58165	54120	54282	54228	54874	–	60560	54509	54813	–	–	–
	–	60162	60254	60276	58166	54122	54216	54913	54876	–	60565	54510	54814	–	–	–
	–	60163	60256	60277	54178	54123	54218	54914	54878	–	60568	54511	54815	–	–	–
	–	60165	60260	60278	54179	54124	54286	54915	54880	–	60574	54512	54816	–	–	–
	–	60166	60262	60280	54114	54126	54220	54916	54882	–	60930	54513	54817	–	–	–
	–	60168	60265	54172	54181	54128	54289	54918	–	–	60935	54514	–	–	–	–
	–	–	–	–	–	–	–	–	–	–	60940	54515	–	–	–	–
	AC85 x 75 Size Key #6	–	–	–	–	60184	–	–	–	–	–	60574	–	54522	63130	–
–		–	–	–	60284	–	–	–	–	–	60576	–	54523	63135	–	–
–		–	–	–	–	–	–	–	–	–	60578	–	54524	63140	–	–
–		–	–	–	–	–	–	–	–	–	60580	–	54526	63145	–	–
–		–	–	–	–	–	–	–	–	–	60584	–	54528	63150	–	–
–		–	–	–	–	–	–	–	–	–	60975	–	54820	–	–	–
–		–	–	–	–	–	–	–	–	–	60980	–	54823	–	–	–
–		–	–	–	–	–	–	–	–	–	60985	–	54828	–	–	–
–		–	–	–	–	–	–	–	–	–	54520	–	–	–	–	–
–		–	–	–	–	–	–	–	–	–	–	–	–	–	–	–
AC85 x 105 Size Key #8	–	–	–	–	–	–	–	–	–	–	–	–	–	63155	–	–
	–	–	–	–	–	–	–	–	–	–	–	–	–	63160	–	–
	–	–	–	–	–	–	–	–	–	–	–	–	–	63165	–	–

Splice Insulators and Insulating Covers

T&B Self-Fusing Insulation Tape



Once you try it, you'll wonder what you ever did without it! Quick and easy insulation, no heat or adhesive required!

You won't believe how easy it is to use Shrink-Kon™ Self-Fusing Insulation Tape to insulate splices, terminations and connections. Forget the heat gun and adhesive. Two layers of this self-amalgamating tape form a flexible dielectric layer that protects your connection against moisture, humidity and corrosion. The tape offers high tensile strength, enabling you to stretch the first layer of tape to form a solid, compressed, watertight seal. Apply the second layer with minimal to no stretch, and your insulation job is complete!

- Just two layers form a moisture-proof, abrasion-resistant, dielectric seal
- Suitable for high and low voltage applications
- Smooth filler putty compound available for use under tape when insulating bolted or dimensionally inconsistent splices and terminations

Cat. No.	Width (in.)	Length (ft)	Thickness (mils)	Colour	Std. Pkg. Qty.
Self-Fusing Insulation Tape					
TBFT421-12	1	12	40	Red	10
TBFT201-36			20	Black	6
TBFT201-6		6			
Smooth Filler Putty Compound					
TBFP9-2	1	2	-	White	1

Standard package is rolls. Order by rolls; not by feet.



TBFT421-36



TBFP9-2

Features and Benefits

- Requires no heat gun or adhesive to form a moisture-proof abrasion-resistant bond
- Easy-release, non-static-sensitive, high-visibility liner peels right off
- Self-fusing tape material adheres to itself for ease of installation
- Creates an immediate, permanent bond even when wet – no waiting period
- Stable even under extreme temperatures: -90°C to 260°C (-130°F to 500°F)
- UV, radiation, arc-track, ozone, steam, moisture and saltwater-resistant
- Easily removable – just slice with a knife and pull off – leaves no residue

Specifications

- Material : Modified silicone rubber compound
- Tensile Strength: 1,200 psi
- Dielectric Strength: 20 mil: 600 VPM; 40 mil: 800 VPM
- Abrasion Resistance: 110 lb./in.
- Water Absorption: < 0.5 %
- Temperature Range: -90°C to 260°C (-130°F to 500°F)

Typical Applications:



- Repair deteriorated insulation on cables and conductors
- Insulate and seal, underground and above-ground bonding installations
- Insulate harnessing, bundling, cabling and wiring in aircraft, automotive, marine and other industrial machinery/equipment
- Motor connections
- Protects against vibration, scratching and moisture

Splice Insulators and Insulating Covers

HSTS25

Tape Sealant



- Available in a 25-ft. roll
- Used in conjunction with T&B Heat-Shrinkable Insulators for better moisture sealing

Installation Guidelines

1. The cable, etc., should be relatively clean and free of greases, oils, and other foreign substances.
2. It is best to overlap each wrap of tape by 1/4 to 1/2 the width for the best seal.
3. When using heat-shrinkable products, most applications require only 1 or 2 layers of tape prior to sliding tubing in place.
4. Shrink the tubing, cap, boot, etc., following the installation procedure for the applicable heat-shrinkable part.

To seal the junction or crotch of an application requiring two or more cables, conductors, etc. without a common jacket

1. Apply the overlapped 1 or 2 layers around each cable, conductor, etc., at the same distance from the connector, or ball up the sealant and press into crotch or junction of the joint.
2. Apply 2 overlapping wraps over the bundle.
3. Slide the expanded heat-shrinkable part over the joint and shrink.

Cat. No.	Description	Width (in.)	Thickness (in.)	Length (ft)	Std. Pkg. Qty.
HSTS25	Tape Sealant	1	0.06	25	1

Standard package is reels. Order by reel; not by feet.

Specifications

Physical	Electric	Chemical
Description: Butyl Rubber Polymer Application Temperature: 4°C to 38°C (40°F to 100°F) Service Temperature: -40°C to 82°C (-40°F to 180°F) Environmental Resistance: Resists ozone and all normal aging processes	Dielectric Strength: 250 v/mil minimum Volume Resistivity: 1014 ohms/cm	Chemical Resistance: Resists acids, bases and alcohols. Passes Fed. Spec. SS-S-00210, section 3.6

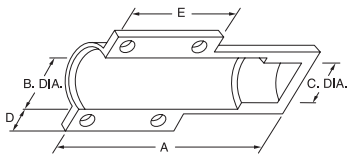


Splice Insulators and Insulating Covers

Motor Stub Splice Insulators

- Re-enterable motor stub insulator
- Easy installation
- No special tools required
- Permits inspection of connector joint by simply removing the snap on cap, wide cable range, long life

This innovative product has been designed to insulate motor stub splices quickly, easily, and dependably. It consists of a boot-type insulator with integral TY-RAP® cable ties. To install, simply position the insulator over the bolted splice and tighten the cable ties. That's all there is to it. It produces uniform, high-quality installations every time... in about 30 seconds. The completed installation is immediately ready for inspection and use. If required, the insulator can be easily removed. Simply snip the cable ties and slide the insulator off the splice. It leaves no sticky residue.



- UL Listed and CSA Certified (UL 94V-1 Flammability Class)
- Rated for 600 V and 90°C application
- Material Body: Modified Neoprene Elastomer
Straps: Nylon



Cat. No.	Wire Range	Length A (in.)	Bolt Max. (in.)	Dia. B (in.)	Dia. C (in.)	D (in.)	E (in.)	Std. Pkg. Qty.
MSC14*	#14-#10	1.5	0.38	0.56	0.50	0.38	0.35	15
MSC8	#12-#8	2.39		0.76	0.67		1.20	10
MSC2	#12-#2	3.25	0.75	0.88	1.5			
MSC20	#2-2/0	4.25	1.0	1.39	1.05	0.43	1.70	4
MSC250	3/0-300 kcmil	7.56	1.5	1.88	1.80	0.45	1.90	2
MSC500	350-500 kcmil	8.88	1.75	2.56	2.48		2.10	5

*One Ty-Rap cable tie only
Order in multiples of std. pkg.