

Conduit, Cable and Pipe Supports

Lightweight, non-breakable and inexpensive!

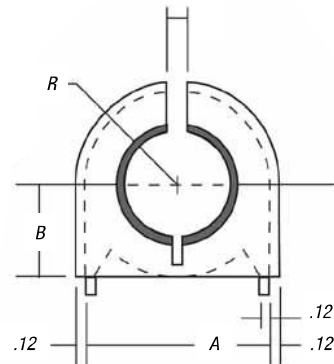
Kindorf® TPE Cable Insulator Clamps

Offer a less expensive, lighter weight and non-breakable alternative to porcelain for cable support, and they won't rot like maple clamps. The one-piece thermoplastic elastomer (TPE) insulator is flame-retardant, UV-resistant and chemical-resistant. A tapered flange isolates and protects cable. Available sizes accommodate cables from 3/8" to 4 1/2" O.D. and fit all Kindorf® channels as well as all 1 1/2" channel systems.



CAT. NO.	HOLE DIA. (IN.)	CLAMP SIZE (IN.)	DIM. A (IN.)	DIM. B&R (IN.)	TOTAL HEIGHT (IN.)
C755 1ATP	3/8	1 1/8	1.12	.56	1.82
C-755-1B-TP	1/2	1 1/8	1.12	.56	1.82
C-755-1C-TP	5/8	1 1/8	1.12	.56	1.82
C-755-2 TP	3/4	1 1/8	1.62	.81	2.34
C-755-2A-TP	7/8	1 1/8	1.62	.81	2.34
C-755-2B-TP	1	1 1/8	1.62	.81	2.34
C-755-2C-TP	1 1/8	1 1/8	1.62	.81	2.34
C-755-3 TP	1 1/4	2 1/8	2.12	1.06	2.86
C-755-3A-TP	1 1/8	2 1/8	2.12	1.06	2.86
C-755-3B-TP	1 1/2	2 1/8	2.12	1.06	2.86
C-755-3C-TP	1 3/4	2 1/8	2.12	1.06	2.86
C-755-4 TP	1 3/4	2 3/8	2.62	1.31	3.5
C-755-4A-TP	1 1/2	2 3/8	2.62	1.31	3.5
C-755-4B-TP	2	2 3/8	2.62	1.31	3.5
C-755-4C-TP	2 1/4	2 3/8	2.62	1.31	3.5
C-755-5 TP	2 1/4	3 1/8	3.12	1.56	4.05
C-755-5A-TP	2 1/8	3 1/8	3.12	1.56	4.05
C-755-5B-TP	2 3/4	3 1/8	3.12	1.56	4.05
C-755-5C-TP	2 7/8	3 1/8	3.12	1.56	4.05
C-755-6 TP	2 3/4	3 3/8	3.62	1.81	4.75
C-755-6A-TP	2 1/2	3 3/8	3.62	1.81	4.75
C-755-6B-TP	3	3 3/8	3.62	1.81	4.75
C-755-6C-TP	3 1/4	3 3/8	3.62	1.81	4.75
C-755-7 TP	3 1/4	4 1/8	4.12	2.06	5.125
C-755-7A-TP	3 1/8	4 1/8	4.12	2.06	5.125
C-755-7B-TP	3 3/4	4 1/8	4.12	2.06	5.125
C-755-7C-TP	3 7/8	4 1/8	4.12	2.06	5.125
C-755-8 TP	3 3/4	4 3/8	4.62	2.31	5.54
C-755-8A-TP	3 1/2	4 3/8	4.62	2.31	5.54
C-755-8B-TP	4	4 3/8	4.62	2.31	5.54
C-755-8C-TP	4 1/4	4 3/8	4.62	2.31	5.54
C-755-8D-TP	4 1/2	5	5	2.5	5.92
C-755-8E-TP	4 3/4	5	5	2.5	5.92
C-755-8F-TP	4 7/8	5	5	2.5	5.92

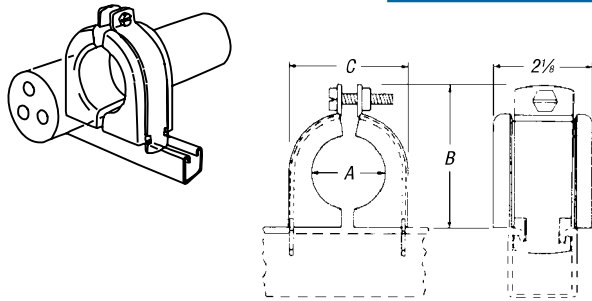
- Tapered flange isolates and protects cable
- Flame retardant
- UV resistant
- Exceptional chemical resistance
- Ideal for commercial and industrial applications
- Thermoplastic elastomer (TPE) insulator
- Electro-galvanized finish steel clamp with Everdur nut and bolt
- Dielectric strength of 640V per mil
- Sizes to hold cables 3/8" to 4 1/2" O.D.
- Fits all channel sizes
- UL® Listed



Conduit, Cable and Pipe Supports

C-755 Porcelain Insulator Clamp

Dry-process white-glaze porcelain insulators assembled in pairs to accept cables from 3/8" through 4 1/2" O.D. C-105 clamp with bronze slotted hex head screw and nut furnished. Fits all Kindorf® channels.

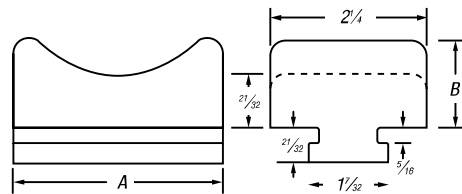
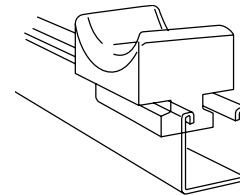


CAT. NO.	DIMENSIONS (IN.)			STRAP C-105 (IN.)	WT. IN LBS./C
	A	B	C		
C-755-1A	3/8	2 1/16	1 1/16	1	50
C-755-1B	1/2	2 1/16	1 1/16	1	50
C-755-1C	5/8	2 1/16	1 1/16	1	50
C-755-2	3/4	2 2/32	2 2/32	1 1/2	91
C-755-2A	7/8	2 2/32	2 2/32	1 1/2	90
C-755-2B	1	2 2/32	2 2/32	1/2	85
C-755-2C	1 1/8	2 2/32	2 2/32	1 1/2	82
C-755-3	1 1/4	3 1/8	2 3/8	2	114
C-755-3A	1 3/8	3 1/8	2 3/8	2	110
C-755-3B	1 1/2	3 1/8	2 3/8	2	105
C-755-3C	1 5/8	3 1/8	2 3/8	2	102
C-755-4	1 3/4	4 1/4	3 3/4	3	220
C-755-4A	1 7/8	4 1/4	3 3/4	3	214
C-755-4B	2	4 1/4	3 3/4	3	205
C-755-4C	2 1/8	4 1/4	3 3/4	3	200
C-755-5	2 1/4	4 3/4	4 1/4	3 1/2	260
C-755-5A	2 3/8	4 3/4	4 1/4	3 1/2	250
C-755-5B	2 1/2	4 3/4	4 1/4	3 1/2	243
C-755-5C	2 5/8	4 3/4	4 1/4	3 1/2	240
C-755-6	2 3/4	5 1/4	4 3/4	4	250
C-755-6A	2 7/8	5 1/4	4 3/4	4	240
C-755-6B	3	5 1/4	4 3/4	4	230
C-755-6C	3 1/8	5 1/4	4 3/4	4	220
C-755-7	3 1/4	6 1/16	5 13/16	5	340
C-755-7A	3 3/8	6 1/16	5 13/16	5	330
C-755-7B	3 1/2	6 1/16	5 13/16	5	318
C-755-7C	3 5/8	6 1/16	5 13/16	5	387
C-755-8	3 3/4	7 3/8	6 7/8	6	565
C-755-8A	3 7/8	7 3/8	6 7/8	6	550
C-755-8B	4	7 3/8	6 7/8	6	535
C-755-8C	4 1/8	7 3/8	6 7/8	6	520
C-755-8D	4 1/4	7 3/8	6 7/8	6	490
C-755-8E	4 3/8	7 3/8	6 7/8	6	475
C-755-8F	4 1/2	7 3/8	6 7/8	6	460

* Also available in thermoplastic, order as C775-TP.

C-756-1 Porcelain Saddle, C-756-2 Porcelain Saddle

- White-glaze dry-process porcelain cable rack insulator
- Fits all sizes of B-900 series channel including B-906



CAT. NO.	DIMENSIONS (IN.)	
	A	B
C-756-1	3	1 3/16
C-756-2	4	1 1/32

C-756-1 is for cables up to 3" O.D. Weight 72 lbs/C.
C-756-2 for cables up to 5" O.D. Weight 102 lbs/C.