

## Conduit Bodies

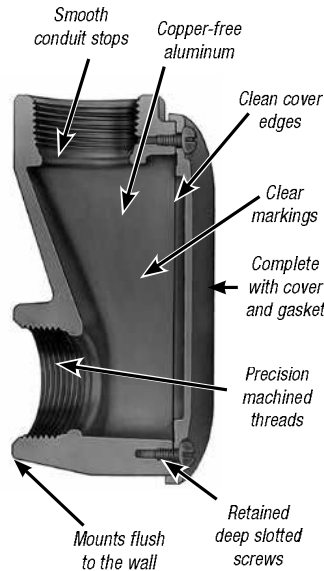
### Mogul Pulling Elbow/Service Entrance Bodies

#### Application

- Raintight junction for bringing electrical service into a location
- Accessible wiring chamber provides a convenient location to pull conductors and make splices

#### Features/Benefits

- Copper-free\* aluminum provides increased corrosion resistance
- Precision-cast and machined surfaces permit safer wire pulling
- Clean cover edges provide good gasket sealing
- Precision NPT threaded hubs enable trouble-free field installation for rigid and IMC conduit
- Retained deep-slotted stainless steel cover screws for faster installation
- Clear UL®, CSA and cubic content markings speed approval by inspectors



#### Standard Materials:

Service Entrance Bodies: Die-cast aluminum alloy A360 with less than .004% copper content (copper-free)

Covers ½" and ¾": Stamped aluminum alloy and stainless steel screws

Covers 1" through 4": Die-cast aluminum alloy A360 with less than .004% copper content (copper-free) and stainless steel screws

Gaskets: Composition

#### Standard Finish:

Powder-coated gray

#### Compliances:

UL® Listed

CSA Certified

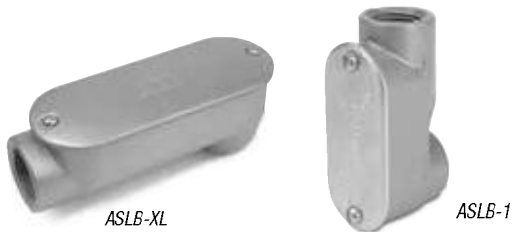
Federal Spec. W-C-586

NEC® Section 314.28

#### Sample Specifications:

Service Entrance Fittings shall be die-cast copper-free\* aluminum alloy A360. All conduit stops shall be free of rough edges. Service Entrance Fittings shall be finished with aluminum lacquer. Service Entrance Fittings shall be Red•Dot® Catalog No. \_\_\_\_\_

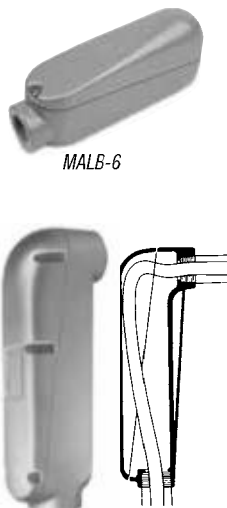
\*Less than .004% copper content



### Aluminum Mogul Pulling Elbows

Spacious, accessible wiring chamber for pulling conductors, making splices and bringing electrical service into a location.

- Dome cover — extra bending room
- Deep-slotted stainless steel cover screws
- "I" beam construction adds strength
- Smooth throats for easy wire pulling
- Extra wiring room
- Meets NEC® Section 314.28
- Ultra-high pressure die-cast aluminum
- UL® Listed, CSA Certified
- Copper-free aluminum, less than .004% copper content



#### Bodies with Covers and Gaskets



CAT. NO.	HUB SIZE	UNIT QTY.	STD. PKG.	WT. LBS. PER 100
MALB-3	1"	1	10	174
MALB-4	1¼"	2	10	160
MALB-5	1½"	1	1	400
MALB-6	2"	1	1	375
MALB-7	2½"	1	1	1100
MALB-8	3"	1	1	1060
MALB-9	3½"	1	1	1900
MALB-10	4"	1	1	1800



#### Replacement Covers and Gaskets



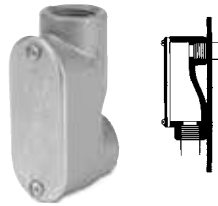
COVER CAT. NO.	GASKET CAT. NO.	HUB SIZE	UNIT QTY.	STD. PKG.	WT. LBS. PER 100
—	MGKV-5	1¼"	1	5	4
MALB-56CV	MGKV-5	1½" to 2"	1	5	4
MALB-78CV	MGKV-6	2½" to 3"	1	5	5
MALB-90CV	MGKV-7	3½" to 4"	1	5	5

## Conduit Bodies

### Service Entrance Fittings

Accessible junctions for bringing electrical service into a location.

- Mounts flush to wall
- Standard and extra-long configurations
- Retained deep-slotted stainless steel cover screws
- Smooth throats for easy wire pulling
- Ultra-high pressure die-cast aluminum
- Meets NEC® Article 370-28
- UL® Listed, CSA Certified
- Copper-free aluminum, less than .004 copper content



ASLB-1



DASLB-1

### ½"-2" Bodies with Covers and Gaskets

CAT. NO.	HUB SIZE (IN.)	COVER ONLY
ASLB-1	½	ASLB1CV
ASLB-2	¾	ASLB2CV
ASLB-3	1	ASLB3CV
ASLB-4	1¼	ASLB4CV
ASLB-5	1½	ASLB5CV
ASLB-6	2	ASLB6CV

### D-PAK® \*

CAT. NO.	HUB SIZE (IN.)
DASLB-1	½
DASLB-2	¾
DASLB-3	1

\* Cover only.



ASLB



SALB

### 2½"-4" Bodies with Covers and Gaskets

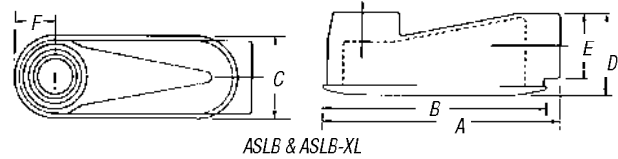
CAT. NO.	HUB SIZE (IN.)
SALB-7	2½
SALB-8	3
SALB-9	3½
SALB-10	4

### Extra-Long Bodies with Covers and Gaskets

CAT. NO.	HUB SIZE (IN.)	COVER ONLY
ASLB-XL4	1¼	ASLBXL4CV*
ASLB-XL6	2	ASLBXL6CV*

Note: Raintight when used with appropriate Red•Dot® covers.

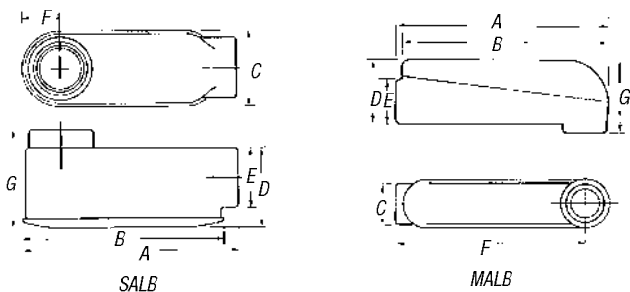
### ASLB and ASLB-XL Dimensions



ASLB & ASLB-XL

SIZE (IN.)	DIMENSIONS (IN.)							CI
	A	B	C	D	E	F		
<b>ASLB</b>								
½	3¼	2¾	1¼	1⅞	1⅞	1⅞	2.0	
¾	3⅝	3¼	1½	1¾	1⅞	¾	3.0	
1	4¼	3⅞	1¾	2⅞	1¾	1⅞	5.5	
1¼	5½	5¼	2⅞	3	2⅞	1¼	13.0	
1½	6¼	6	2⅞	3¼	2⅞	1½	18.8	
2	6¾	6½	3⅞	4	2⅞	1⅞	38.8	
<b>ASLB-XL</b>								
1¼	8	7½	2½	2¾	2⅞	1⅞	24.5	
2	9⅝	9¼	3⅞	3¼	2⅞	1⅞	58.0	

### SALB and MALB Dimensions



SALB

MALB

SIZE (IN.)	DIMENSIONS (IN.)							CI
	A	B	C	D	E	F	G	
<b>SALB</b>								
2½	13	12⅞	4⅞	4½	3⅞	2¼	5⅞	190
3	13	12⅞	4½	5¼	4⅞	2⅞	6⅞	190
3½	16½	15⅞	5½	6¼	5⅞	2¼	7⅞	366
4	16½	15⅞	5½	6¼	5⅞	2¼	7⅞	366
<b>MALB</b>								
1	9⅞	9⅞	2½	2¼	2⅞	8½	3⅞	40
1¼	9⅞	9⅞	2½	2¼	2⅞	8½	3⅞	40
1½	14⅞	14¼	2¾	4	2⅞	13	5⅞	128
2	14⅞	14¼	2¾	4	2⅞	13	5⅞	128
2½	21⅞	21⅞	4½	5⅞	4⅞	18	7⅞	398
3	21⅞	21⅞	4½	5⅞	4⅞	18	7⅞	398
3½	28⅞	28⅞	5½	6½	5⅞	24	9⅞	766.7
4	28⅞	28⅞	5½	6½	5⅞	24	9⅞	766.7