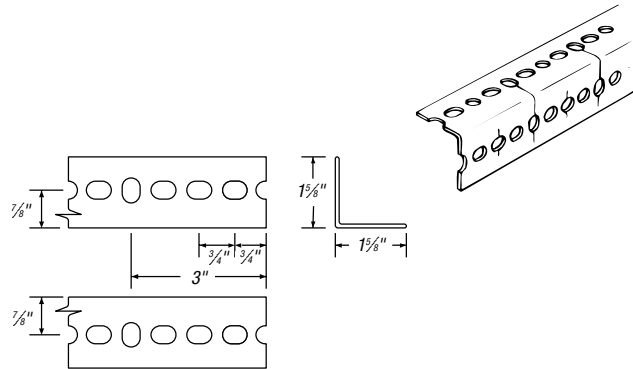


Right Angle Slotted Angle Systems

Type RA-160 Slotted Angle

- 1½" x 1½" x .080" (14 gauge)
- Designed for light-duty applications where extra strength is not a requirement
- Ideal material for light racking and shelving
- Packaged in five 10-ft. or 12-ft. lengths complete with thirty-six ¾" x ⅝" long hex head bolts and nuts
- Standard package 10' lengths: 39 lbs., 12' lengths: 48 lbs.

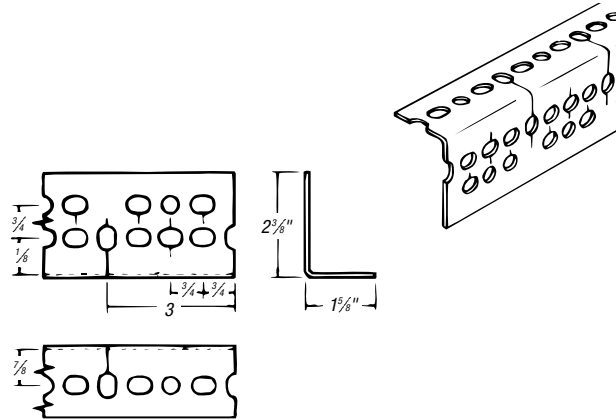
CAT. NO.	LENGTH	FT. PER PKG.	WT. PER 100 FT.
RA-160-10	10 ft.	50	75 lbs.
RA-160-12	12 ft.	60	75 lbs.



Type RA-225 — For Heavy-Duty

- 2⅝" x 1½" x .080" (14 gauge)
- Wide range versatility for nearly every type of framing
- Well suited for electrical applications
- Slot-and-hole pattern provides ready-made anchoring points for panel-board framing and fixtures of all kinds
- Packaged in five 10-ft. or 12-ft. lengths complete with thirty-six ¾" x ⅝" long hex head bolts and nuts
- Standard package 10' lengths: 48 lbs., 12' lengths: 56 lbs.

CAT. NO.	LENGTH	FT. PER PKG.	WT. PER 100 FT.
RA-225-10	10 ft.	50	93 lbs.
RA-225-12	12 ft.	60	93 lbs.



Type RA-300 — For Extra Heavy-Duty

- 3⅝" x 1½" x .104" (12 gauge)
- Used where heavy loads are involved
- Racks and shelving for heavy material and large structures such as ramps and balconies are typical uses
- Packaged in five 10-ft. or 12-ft. lengths complete with thirty-six ¾" x ⅝" long hex head bolts and nuts
- Standard package 10' lengths: 72 lbs., 12' lengths: 84 lbs.

CAT. NO.	LENGTH	FT. PER PKG.	WT. PER 100 FT.
RA 300 10	10 ft.	50	135 lbs.
RA-300-12	12 ft.	60	135 lbs.

