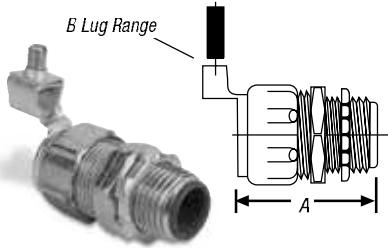


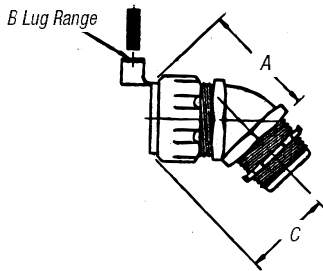
Liquidtight Flexible Metallic Conduit Fittings: Zinc Die Cast

Liquidtight Fittings — Straight



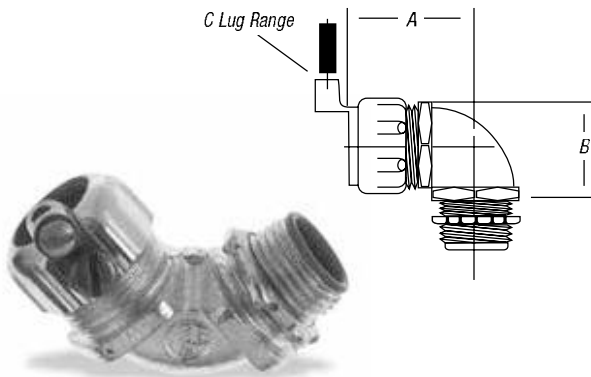
CAT. NO.	GROUNDING DEVICE (LUG ONLY)		TRADE SIZE (IN.)	A (IN.)	B	STD. CTN.	CAT. NO.	GROUNDING DEVICE (LUG ONLY)		TRADE SIZE (IN.)	A (IN.)	B	STD. CTN.
	CAT. NO.							CAT. NO.					
5331GR	38GR-TB		3/8	1 1/2	14-4	100	5233GR	34GR-TB		3/4	1 1/8	14-4	25
5332GR	12GR-TB		1/2	1 1/8	14-4	100	5234GR	1GR-TB		1	2 1/8	14-4	50
5333GR	34GR-TB		3/4	1 1/8	14-4	25	5231ALGR	38GR-TB		3/8	1 1/2	14-4	100
5334GR	1GR-TB		1	2 1/8	14-4	50	5232ALGR	12GR-TB		1/2	1 1/8	14-4	100
5231GR	38GR-TB		3/8	1 1/2	14-4	100	5233ALGR	13GR-TB		3/4	1 1/8	14-4	50
5232GR	12GR-TB		1/2	1 1/8	14-4	100	5234ALGR	1GR-TB		1	2 1/8	14-4	50

Liquidtight Fittings — 45° Angle



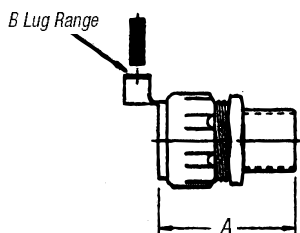
CAT. NO.	TRADE SIZE (IN.)	A (IN.)	B	C (IN.)	STD. CTN.
5341GR	3/8	1 1/8	14-4	1 1/8	50
5342GR	1/2	1 1/8	14-4	1 3/8	50
5343GR	3/4	2 1/8	14-4	1 3/8	50
5344GR	1	2 1/4	14-4	1 3/4	25
5241GR	3/8	1 1/8	14-4	1 1/8	50
5242GR	1/2	1 1/8	14-4	1 3/8	50
5243GR	3/4	2 1/8	14-4	1 3/8	50
5244GR	1	2 1/4	14-4	1 3/4	25

Liquidtight Fittings — 90° Angle



CAT. NO.	GROUNDING DEVICE (LUG ONLY)		TRADE SIZE (IN.)	A (IN.)	B (IN.)	C	STD. CTN.
	CAT. NO.						
5351GR	38GR-TB		3/8	1 1/8	1 1/4	14-4	50
5352GR	12GR-TB		1/2	1 1/8	1 1/8	14-4	50
5353GR	34GR-TB		3/4	1 1/4	1 1/8	14-4	50
5354GR	1GR-TB		1	2 1/8	2 1/8	14-4	25
5251GR	38GR-TB		3/8	1 1/8	1 1/4	14-4	50
5252GR	12GR-TB		1/2	1 1/8	1 1/8	14-4	50
5253GR	34GR-TB		3/4	1 1/4	1 1/8	14-4	50
5254GR	1GR-TB		1	2 1/8	2 1/8	14-4	25
5251ALGR	38GR-TB		3/8	1 1/8	1 1/4	14-4	50
5252ALGR	12GR-TB		1/2	1 1/8	1 1/8	14-4	50
5253ALGR	13GR-TB		3/4	1 1/4	1 1/8	14-4	50
5254ALGR	1GR-TB		1	2 1/8	2 1/8	14-4	25

Liquidtight to Rigid External Ground Adapter



CAT. NO.	TRADE SIZE (IN.)	A (IN.)	B	STD. CTN.
5271GR	3/8	1 1/2	14-4	50
5272GR	1/2	1 3/8	14-4	50
5273GR	3/4	1 1/2	14-4	50
5274GR	1	1 3/8	14-4	25