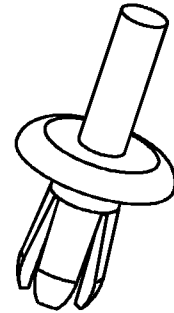
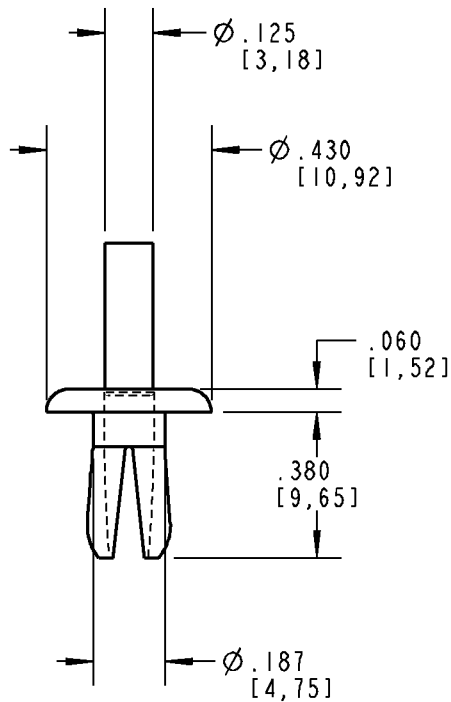



# Ty-Duct



CAT. NO. **08200C**

**NOTES:**

1. MATERIAL: NYLON NATURAL
2. MATERIAL THICKNESS RANGE: .156-.250 [3,96-6,35]
3. MOUNTING HOLE:  $\phi .188$  [4,78]
4. RECOMMENDED MAXIMUM LOAD INCH-LBS [NEWTONS]:
  - A) TENSION: 25 [111,2]
  - B) SHEAR: 40 [177,9]
5. INSTALLATION TOOL: CAT. #08205

<b>GENERAL NOTES</b>		 www.tnb.com			
1. ALL DIMENSIONS ARE FOR REFERENCE ONLY. 2. DIMENSIONS IN BRACKETS [ ] ARE IN METRIC UNITS.					
<b>REVISIONS</b>					
1. SEE ERN 2011313 FOR APPROVAL SIGNATURES & RELEASE DATE. PROJECT NO: FD55400		ORIGINAL PROJECT NO / ( ERN NO )	SHEET NO:	REV. NO:	DRAWING NO:
		<b>FD55400 / ( 2005923 )</b>	<b>1 OF 1</b>	<b>1</b>	<b>WSD-000197</b>