

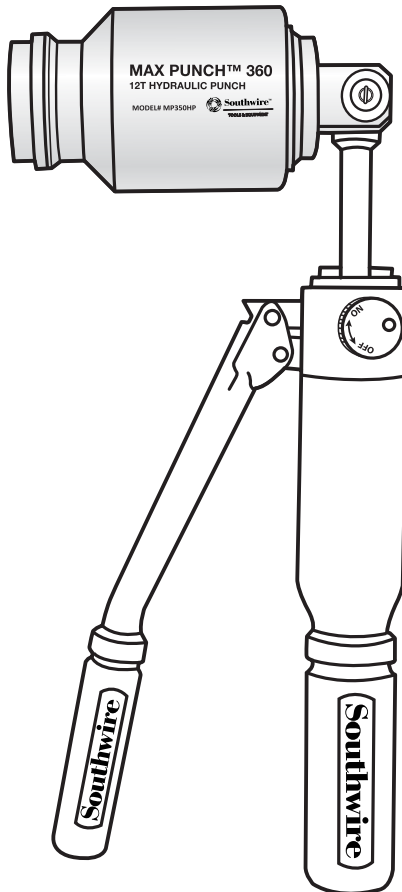


Southwire™

TOOLS & EQUIPMENT

Operating Instructions

MAX PUNCH™ 360° HYDRAULIC PUNCH



CAUTION: Please READ and UNDERSTAND all of the instructions and safety information in this manual and observe safe-working practices before operating or servicing this tool.



BEFORE OPERATING THIS TOOL, READ AND UNDERSTAND ALL OF THE INSTRUCTIONS AND SAFETY INFORMATION IN THIS MANUAL





TABLE OF CONTENTS


Important Safety Information.....	2
Description of Operation.....	3
Identification.....	3
Product Range Table.....	4
Operating Instructions.....	5-8
Maintenance.....	9
Specifications	9
Warranty.....	10

SAFETY FIRST

Safety is essential in the use and maintenance of Southwire Tools & Equipment. This instruction manual and any markings on the tool provide information for avoiding hazards and unsafe practices related to the use of this tool. Observe all of the safety information provided.

	<h2>SAFETY ALERT SYMBOLS</h2>
<p>These symbols are used to call attention to hazards or unsafe practices related that could result in injury or property damage. The three safety words defined below indicate the severity of the hazard. The message after the signal word provides information for preventing or avoiding the hazard.</p>	
⚠ DANGER	
<p>Immediate hazards which, if not avoided, WILL result in severe injury or death.</p>	
⚠ WARNING	
<p>Hazards which, if not avoided, COULD result in severe injury or death.</p>	
⚠ CAUTION	
<p>Hazards or unsafe practices which, if not avoided, MAY result in injury or property damage.</p>	

	<h3>⚠ WARNING</h3> <p>Read and understand all of the instructions and safety information in this manual before operating or servicing this tool.</p> <p>Failure to observe this warning could result in severe injury or death.</p>
---	---

<h3>⚠ WARNING</h3>	
<p>Personal safety hazards</p>	<ul style="list-style-type: none"> • Only qualified persons should use a MP360HP • Wear eye protection and a hard hat when using this tool • Do not use tool while tired or under the influence of drugs, alcohol, or medication • Keep body parts and loose clothing away from moving parts • Always follow safety procedures • Keep hands clear of cup and cutter when in operation • Keep all body parts clear of handle's path when not in storage position

	<h3>⚠ WARNING</h3>
<p>Electrical Shock Hazards</p> <ul style="list-style-type: none"> • This is not an insulated tool, contact with live circuits could result in severe injury or death. 	

<h3>⚠ WARNING</h3>
<h4>Tool Use Hazards</h4>
<ul style="list-style-type: none"> • Use this tool for manufacturer's intended purpose only. Use other than that which is described in this manual can result in injury or property damage • Only qualified persons should use a MP360HP

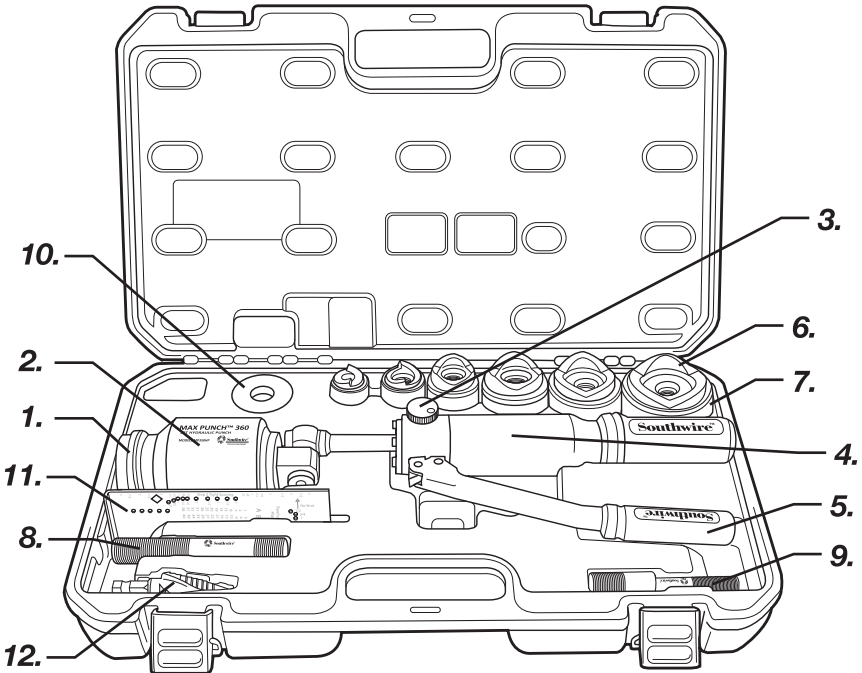
FAILURE TO OBSERVE THESE WARNINGS CAN RESULT IN SEVERE INJURY OR DEATH

DESCRIPTION OF OPERATION

The **Max Punch™ 360 Hydraulic Punch** is a tool that will knockout 1/2" - 4" diameter holes in mild steel, and stainless steel electrical panels.

IDENTIFICATION

- | | |
|--|----------------------------------|
| 1. Draw Stud Input | 7. Die Cup |
| 2. 360 Degree Articulating Head | 8. 3/4" Draw Stud |
| 3. Hydraulic Pressure Valve | 9. 7/16" Draw Stud |
| 4. Hydraulic Cylinder | 10. 1/2" Die Spacer |
| 5. Pump Handle | 11. Marksman® Layout Tool |
| 6. Die Cutter | 12. Step Bit |



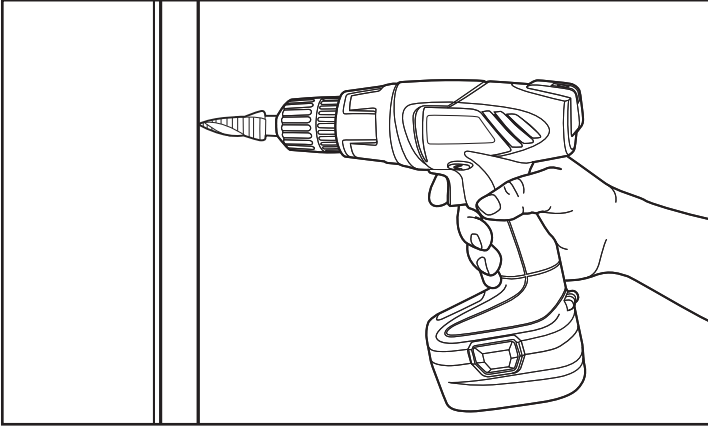
CAPACITY

Cutter Size	MP360SD/MP-03 Mild Steel Knockout					
	20	18	16	14	12	10
1/2"	X	X	X	X	X	X
3/4"	X	X	X	X	X	X
1"	X	X	X	X	X	X
1 1/4"	X	X	X	X	X	X
1 1/2"	X	X	X	X	X	X
2"	X	X	X	X	X	X
2 1/2"	X	X	X	X	X	X
3"	X	X	X	X	X	X
3 1/2"	X	X	X	X	X	X
4"	X	X	X	X	X	X

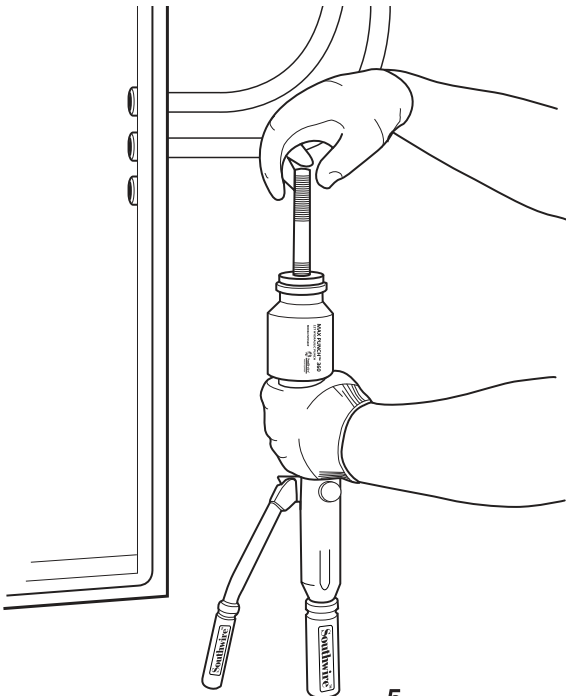
Cutter Size	MP360SDPRO/MP-03PRO Stainless Steel Knockout					
	20	18	16	14	12	10
1/2"	X	X	X	X	X	X
3/4"	X	X	X	X	X	X
1"	X	X	X	X	X	X
1 1/4"	X	X	X	X	X	X
1 1/2"	X	X	X	X	X	X
2"	X	X	X	X	X	X
2 1/2"	X	X	X	X	X	X
3"	X	X	X	X	X	X
3 1/2"	X	X	X	X	X	
4"	X	X	X	X	X	

SETUP AND OPERATION

1. Use a step bit to drill the pilot holes.

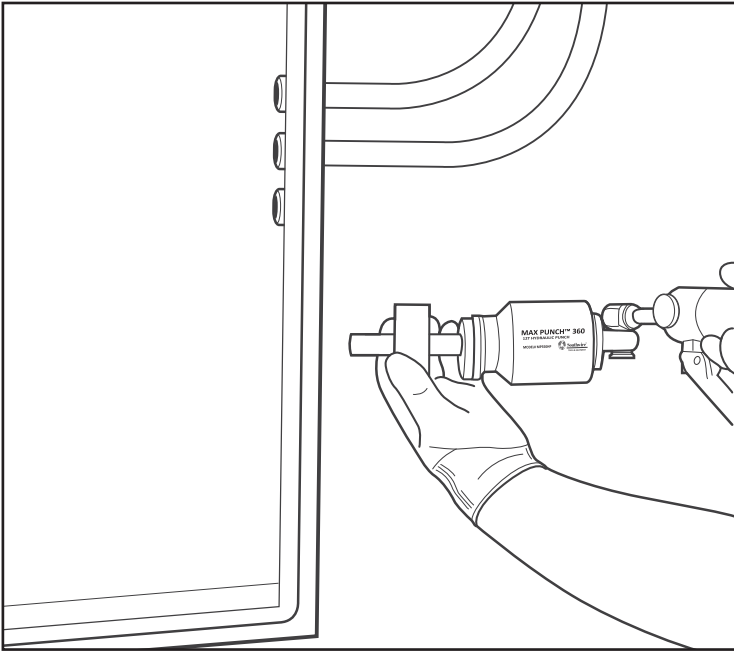


2. Make sure that the hydraulic pressure valve is in the off position
3. Screw the draw stud into the articulating head.
For 1/2" punch use the 7/16" draw stud, for a 3/4" - 2" punch use the 3/4" draw stud, and for a 2 1/2" - 4" punch use the 1 1/8" draw stud.

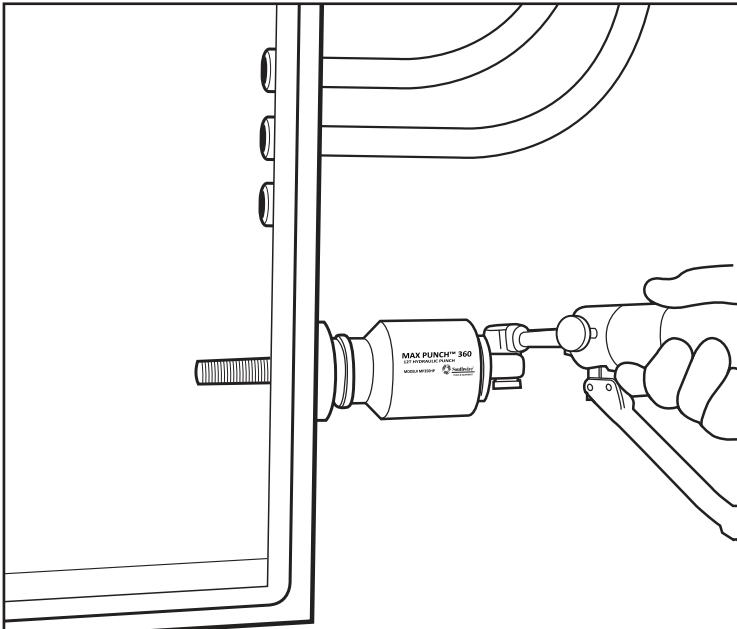


SETUP AND OPERATION

4. Insert cup on to draw stud facing panel.

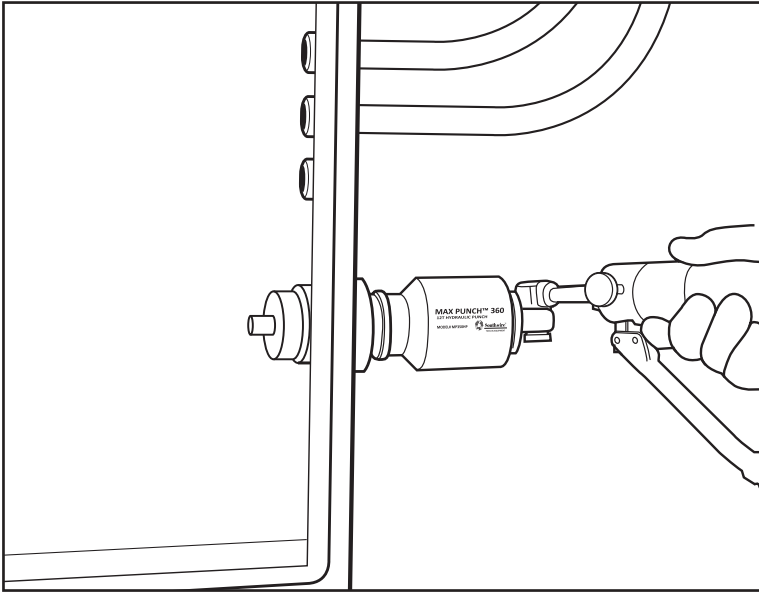


5. Insert draw stud through pilot hole.



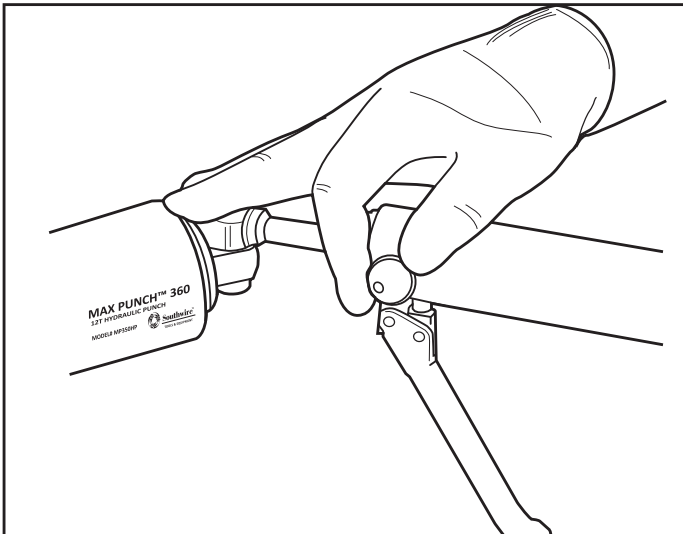
SETUP AND OPERATION

6. Screw on cutter.



7. Make sure that all three cutter points on the cutter are tight to the panel.

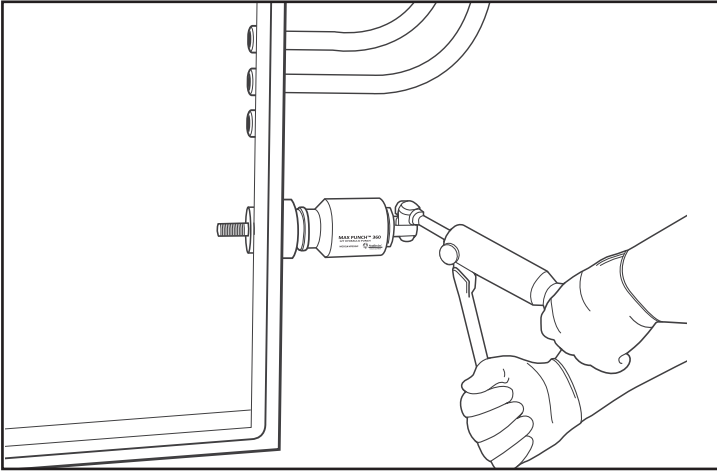
8. Close pressure valve by turning clockwise to the ON position.



9. Position the articulating head to a comfortable position.

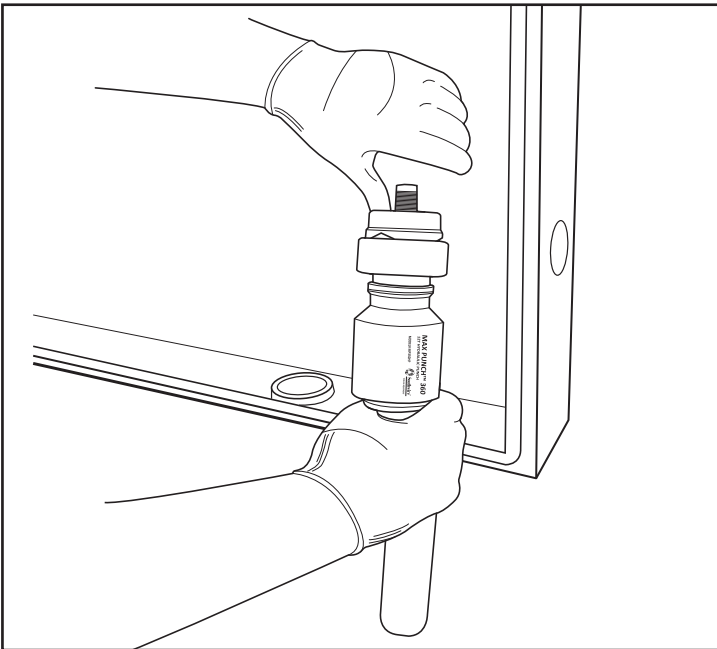
SETUP AND OPERATION

10. Begin operating the pump, stop compressing when knock out is complete.



11. Release pressure valve, by turning counter clockwise to the OFF position.

12. Unscrew cutter die to release slug.



ADDITIONAL HELP

- There is a 1/2" spacer available for convenience but not necessary to complete the knockout.

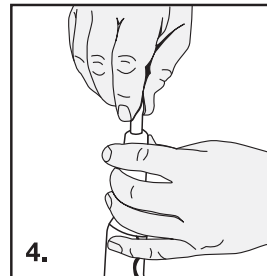
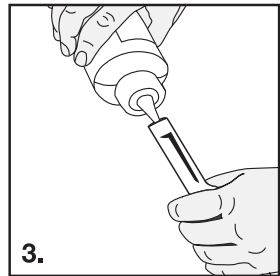
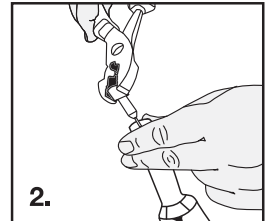
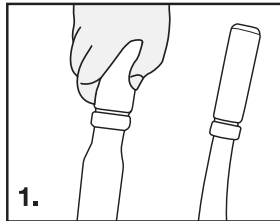
⚠ CAUTION : • Do not rotate the articulating head during the pumping process.
• Release pressure in the hydraulic system when not in use.

MAINTENANCE

Maintain appropriate hydraulic fluid capacity by adding or changing hydraulic fluid as needed for proper pressure.

⚠ WARNING : Too much hydraulic fluid will cause the MP360HP to not work correctly

1. Unscrew the hydraulic cylinder.
2. Pinch bladder end with one hand while pulling out the plug with a pair of pliers.
3. Add hydraulic fluid; leave a 1/2" – 1" space between the hydraulic fluid level and end of the bladder.
4. Replace plug.
5. Replace hydraulic cylinder.



SPECIFICATIONS

Model#	Stock#	Details	Length	Width	Depth	Weight
MP360SD	58946401	MAX PUNCH™ 360 Mild Steel 1/2 - 2" Set	21"	12"	4"	15 LBS
MP-03	56825801	Large Die Set (2 1/2" - 4") in 1 case (Drive Unit not included)	16.5"	13"	11"	23 LBS
MP360SDPRO	58973801	MAX PUNCH™ 360 Stainless Steel 1/2 - 2" Set	21"	12"	4"	15 LBS
MP-03PRO	57177201	Large Die Set for Stainless Steel (2 1/2" - 4") in 1 case (Drive Unit not Included)	16.5"	13"	11"	24 LBS
MP360HP	58946301	MAX PUNCH™ 360 Drive unit only	4.5"	5.25"	3.75"	5.5 LBS

WARRANTY

LIMITED WARRANTY

With respect to new Southwire Contractor Equipment (“SCE”; formerly known as Maxis) products, Southwire Company, LLC warrants as follows: Each SCE product will be free from defects in materials and workmanship for a period of one year from the date on which the product is delivered to the end user. This warranty does not cover normal wear and tear resulting from product use, nor does it cover damage arising out of misuse, abuse, modification, and/or improper product maintenance. This warranty also does not cover SCE products that have been modified by any party other than Southwire Company, LLC. This limited warranty is not transferrable to or enforceable by any person other than the product’s original end user.

Southwire will, at its option, repair or replace defective products or defective product components, free of charge. Defective products and product components should be shipped to Southwire at the below address. Southwire will cover standard freight charges (i.e., parcel post or UPS Ground rate) incurred in connection with products that Southwire ultimately determines to be defective. Southwire will ship repaired or replacement products to the Distributor, freight prepaid. The remedy set forth in this Limited Warranty section constitutes the Distributor’s and original end user’s exclusive remedy for defective SCE products.

SOUTHWIRE MAKES NO WARRANTY THAT SCE PRODUCTS WILL BE MERCHANTABILITY OR FIT FOR ANY PARTICULAR PURPOSE. SOUTHWIRE MAKES NO OTHER WARRANTY, EXPRESSED OR IMPLIED, OTHER THAN THE WARRANTY SPECIFICALLY SET FORTH IN THIS LIMITED WARRANTY SECTION. SOUTHWIRE WILL NOT BE LIABLE FOR ANY INCIDENTAL, CONSEQUENTIAL, INDIRECT, SPECIAL, OR PUNITIVE DAMAGES FOR ANY BREACH OF THIS LIMITED WARRANTY.

DISTRIBUTOR WARRANTY CLAIM PROCEDURE

1. All warranty claims must be pre-approved by the Southwire Contractor Equipment (“SCE”; formerly known as Maxis) Warranty Department.
2. All end user warranty claims must be handled through Distributor.
3. Warranty claims limited to replacement or repair of defective items per the Limited Warranty above. Distributor credit will not be issued.
4. Distributors must obtain a written Product Return Authorization before returning any allegedly defective product to Southwire. All returned products must be accompanied by a copy of the Product Return Authorization.
5. Products and accompanying Product Return Authorizations should be shipped to Southwire at the below address.
6. The product serial number and the original date of delivery must be set forth on the Product Return Authorization.
7. All defective components and defective products that Southwire replaces under the Limited Warranty will become Southwire’s property and will be retained by Southwire.

CUSTOMER SERVICE

For all warranty, customer service, and product return authorizations and inquiries, please contact SCE at:

Southwire Tools & Equipment
840 Old Breman Road
Carrollton, GA, 30117
Phone Number: **1.855.SW.Tools**



Southwire™

TOOLS & EQUIPMENT



Scan for more information
and to register this product.

Para mayores informes, y para
registrar este producto, escanee
este código

Product distributed by Southwire Company, LLC
Producto distribuido por Southwire Company, LLC

Call: 855-SWTOOLS (855-798-6657)
or visit www.southwiretools.com

Llame al 855-SWTOOLS (855-798-6657)
o visite www.southwiretools.com