

# Power Drive



## **⚠ WARNING**

Read this Operator's Manual carefully before using this tool. Failure to understand and follow the contents of this manual may result in electrical shock, fire and/or serious personal injury.

## Table of Contents

<b>Recording Form for Machine Serial Number</b> .....	1
<b>Safety Symbols</b> .....	2
<b>General Safety Rules</b>	
Work Area Safety .....	2
Electrical Safety .....	2
Personal Safety .....	2
Power Tool Use and Care .....	3
Service .....	3
<b>Specific Safety Information</b>	
Power Drive Safety .....	3
<b>Description, Specifications and Standard Equipment</b>	
Description .....	4
Specifications/Standard Equipment .....	4
Accessories .....	4
<b>Power Drive Inspection</b> .....	4
<b>Tool and Work Area Set-Up</b> .....	5
<b>Operating Instructions</b> .....	5
<b>Accessories</b>	
Accessories For Power Drive .....	7
<b>Maintenance Instructions</b>	
Motor Brush Replacement .....	7
<b>Tool Storage</b> .....	7
<b>Service and Repair</b> .....	7
<b>Wiring Diagram</b> .....	8
<b>Troubleshooting</b> .....	9
<b>Lifetime Warranty</b> .....	Back Cover

600

# 600 Portable Power Drive



**RIDGID**<sup>®</sup>

**600 Power Drive**

Record Serial Number below and retain product serial number which is located on nameplate.

Serial  
No.

--	--

## Safety Symbols

In this operator's manual and on the product, safety symbols and signal words are used to communicate important safety information. This section is provided to improve understanding of these signal words and symbols.

This is the safety alert symbol. It is used to alert you to potential personal injury hazards. Obey all safety messages that follow this symbol to avoid possible injury or death.

**DANGER** DANGER indicates a hazardous situation which, if not avoided, will result in death or serious injury.

**WARNING** WARNING indicates a hazardous situation which, if not avoided, could result in death or serious injury.

**CAUTION** CAUTION indicates a hazardous situation which, if not avoided, could result in minor or moderate injury.

**NOTICE** NOTICE indicates information that relates to the protection of property.



This symbol means read the operator's manual carefully before using the equipment. The operator's manual contains important information on the safe and proper operation of the equipment.



This symbol means always wear safety glasses with side shields or goggles when handling or using this equipment.



This symbol indicates the risk of hands, fingers or other body parts being caught or wrapped in the drain cleaning cable.



This is the electrical shock symbol.

## General Safety Rules\*

### **WARNING**

Read all instructions. Failure to follow all instructions listed below may result in electric shock, fire, and/or serious injury. The term "power tool" in all of all the warnings listed below refers to your mains-operated (corded) power tool or battery-operating (cordless) power tools.

### **SAVE THESE INSTRUCTIONS!**

#### Work Area

- **Keep work area clean and well lit.** Cluttered benches and dark areas invite accidents.
- **Do not operate power tools in explosive atmospheres, such as in the presence of flammable liquids, gases, or dust.** Power tools create sparks which may ignite the dust or fumes.
- **Keep children and bystanders away while operating a power tool.** Distractions can cause you to lose control.

#### Electrical Safety

- **Power tool plugs must match the outlet. Never modify the plug in any way. Do not use any adapter plugs with earthed (grounded) power tools.** Unmodified plugs and matching outlets will reduce risk of electric shock.

- **Avoid body contact with earthed or grounded surfaces such as pipes, radiators, ranges and refrigerators.** There is an increased risk of electric shock if your body is earthed or grounded.
- **Do not expose power tools to rain or wet conditions.** Water entering a power tool will increase the risk of electric shock.
- **Do not abuse the cord. Never use the cord for carrying, pulling or unplugging the power tool. Keep cord away from heat, oil, sharp edges or moving parts.** Damaged or entangled cords increase the risk of electric shock.
- **When operating a power tool outdoors, use an extension cord suitable for outdoor use.** Use of a cord suitable for outdoor use reduces the risk of electric shock.

#### Personal Safety

- **Stay alert, watch what you are doing and use common sense when operating a power tool. Do not use a power tool while tired or under the influence of drugs, alcohol, or medications.** A moment of inattention while operating power tools may result in serious personal injury.
- **Use safety equipment. Always wear eye protection.** Safety equipment such as dust mask, non-skid

\* The text used in the General Safety Rule section of this manual is verbatim, as required, from the applicable UL/CSA 60745-1 3rd edition standard. This section contains general safety practices for many different types of power tools. Not every precaution applies to every tool, and some do not apply to this tool.

safety shoes, hard hat, or hearing protection used for appropriate conditions will reduce personal injuries.

- **Avoid accidental starting. Ensure the switch is in the OFF position before plugging in.** Carrying power tools with your finger on the switch or plugging in power tools that have the switch ON invites accidents.
- **Remove adjusting keys or wrenches before turning the power tool ON.** A wrench or a key that is left attached to a rotating part of the power tool may result in personal injury.
- **Do not overreach. Keep proper footing and balance at all times.** This enables better control of the power tool in unexpected situations.
- **Dress properly. Do not wear loose clothing or jewelry. Keep your hair, clothing, and gloves away from moving parts.** Loose clothes, jewelry, or long hair can be caught in moving parts.
- **If devices are provided for the connection of dust extraction and collection facilities, ensure these are connected and properly used.** Use of these devices can reduce dust-related hazards.

### Power Tool Use and Care

- **Do not force the power tool. Use the correct power tool for your application.** The correct power tool will do the job better and safer at the rate for which it is designed.
- **Do not use the power tool if switch does not turn it ON and OFF.** Any power tool that cannot be controlled with the switch is dangerous and must be repaired.
- **Disconnect the plug from the power source and/or the battery pack from the power tool before making any adjustments, changing accessories, or storing power tools.** Such preventive safety measures reduce the risk of starting the power tool accidentally.
- **Store idle power tools out of the reach of children and do not allow persons unfamiliar with the power tool or these instructions to operate the power tool.** Power tools are dangerous in the hands of untrained users.
- **Maintain power tools. Check for misalignment or binding of moving parts, breakage of parts and any other condition that may affect the power tools operation. If damaged, have the power tool repaired before use.** Many accidents are caused by poorly maintained power tools.

- **Keep cutting tools sharp and clean.** Properly maintained cutting tools with sharp cutting edges are less likely to bind and are easier to control.
- **Use the power tool, accessories and tool bits etc. in accordance with these instructions and in the manner intended for the particular type of power tool, taking into account the working conditions and the work to be performed.** Use of the power tool for operations different from those intended could result in a hazardous situation.

### Service

- **Have your power tool serviced by qualified repair person using only identical replacement parts.** This will ensure that the safety of the power tool is maintained.

## Specific Safety Information

### ▲ WARNING

**Read this operator's manual carefully before using the 600 Power Drive. Failure to understand and follow the contents of this manual may result in electrical shock, fire and/or serious personal injury.**

Call the Ridge Tool Company, Technical Service Department at (800) 519-3456 if you have any questions.

### Power Drive Safety

- **The Power Drive is made to turn threaders and other equipment. Follow instructions in this Operator's Manual on proper use when threading. When using it to power other equipment, read and follow the safety and operating instructions provided with that equipment.** Other uses may increase the risk of serious injury.
- **Secure Power Drive using the No. 601 Support Arm. Hold Power Drive firmly. If the Power Drive cannot be secured by a Support Arm, use other mechanical means.** Resists high handle forces developed during use and prevents losing control of the tool.
  - **Only use the aluminum gear case to secure the power drive.** Using the motor housing or handle may result in damaging or breaking these parts.
- **Do not use dull or damaged dies.** Sharp cutting tools require less torque and the Power Drive is easier to control.
- **Do not use if ON/OFF switch is broken.** The purpose of the switch is to provide better control by letting you shut off the motor by removing your finger.

- **Do not wear gloves or loose clothing when operating Power Drive. Keep sleeves and jackets buttoned.** Clothing can be caught resulting in entanglement and serious injury.
- **Keep handles dry and clean; free from oil and grease.** Allows for better control of the tool.
- **Keep floors dry and free of slippery materials such as oil.** Slippery floors invite accidents.

## Description, Specifications and Standard Equipment

### Description

The RIDGID Model 600 Power Drive is a double insulated drive which provides power for threading pipe and conduit. Forward and Reverse rotation can be selected with a REV/FOR switch while ON/OFF is controlled by a paddle switch that cuts off power when released.

The Power Drive is designed for use with the No. 11R Die Heads ( $\frac{1}{8}$ " –  $1\frac{1}{4}$ " pipe). A manual oiling system is available to flood the work during the threading operations. The No. 601 Support Arm should be used to secure the Power Drive and resist the torque developed during threading.

### Specifications/Standard Equipment

Pipe and Conduit.....11-R Drop Head Die Heads:  
 $\frac{1}{8}$ " -  $1\frac{1}{4}$ " (3mm – 32mm)

Motor:

Type .....Universal  
Volts .....115V Single Phase AC (220V available) 50/60 HZ

Amps .....15 amps

Watts .....1020

Switches:

ON/OFF .....Heavy Duty Paddle Type with Safety Locking Device

Direction Change .....FOR/REV Switch

Gear Head.....Die Cast Aluminum Housing, Permanently Greased.

Length .....20" (51cm)

Weight .....12.5 lbs. (5.5 kg)

No. 601 Support Arm.....Absorbs Power Drive Torque

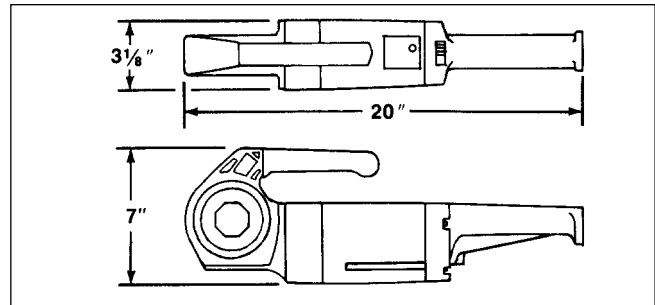


Figure 1 – 600 Power Drive Dimensions

Catalog No.	Model No.	Description	Weight	
			lb.	kg
36902	600	115V Kit Less Die Head w/Case	26	11,8
36912	600	115V $\frac{1}{2}$ " – $1\frac{1}{4}$ " NPT w/Case	36	16,4
36917	600	115V $\frac{1}{2}$ " – $1\frac{1}{4}$ " BSPT w/Case, Export	36	16,4
36932	600	220V $\frac{1}{2}$ " – $1\frac{1}{4}$ " NPT w/Case, Export	36	16,4
36937	600	220V $\frac{1}{2}$ " – $1\frac{1}{4}$ " BSPT w/Case, Export	36	16,4

### Accessories

No. 11-R Die Heads (7)... $\frac{1}{8}$ ",  $\frac{1}{4}$ ",  $\frac{3}{8}$ ",  $\frac{1}{2}$ ",  $\frac{3}{4}$ ", 1",  $1\frac{1}{4}$ "

No. 418 Oiler .....Oiler with 1 gallon RIDGID Thread Cutting Oil

Carrying Case .....For Power Drive and 6 Die Heads

## Power Drive Inspection

### ▲ WARNING



**To prevent serious injury, inspect your Power Drive. The following inspection procedures should be performed on a daily basis:**

1. Make sure Power Drive is unplugged.
2. Inspect the power cord and plug for damage. If the plug has been modified or if the cord is damaged, do not use the Power Drive until the cord has been replaced.
3. Inspect the Power Drive for any broken, missing, misaligned or binding parts as well as any other conditions which may affect the safe and normal operation of the tool. If any of these conditions are present, do not use the Power Drive until any problem has been repaired.

- Use tools and accessories that are designed for your Power Drive and meet the needs of your application. The correct tools and accessories allow you to do the job successfully and safely. Accessories suitable for use with other equipment may be hazardous when used with this Power Drive.
- Clean any oil, grease or dirt from all equipment handles and controls. This reduces the risk of injury due to a tool or control slipping from your grip.

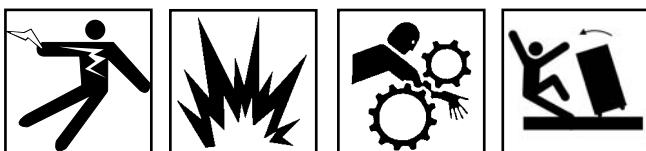
Inspect the cutting edges of your dies. If necessary, have them replaced prior to using the Power Drive. Dull or damaged dies can lead to binding and poor quality threads.

- Clean metal shavings and other debris from the chip tray of the 418 Oiler. Check the level and quality of the thread cutting oil. Replace or add oil if necessary.

**NOTE!** Thread cutting oil lubricates and cools the threads during the threading operation. A dirty or poor grade cutting oil can result in poor thread quality.

## Tool and Work Area Set-Up

### ▲ WARNING



**To prevent serious injury, proper set-up of the Power Drive and work area is required. The following procedures should be followed to set-up the tool.**

- Locate a work area that has the following:
  - Adequate lighting.
  - No flammable liquids, vapors or dust that may ignite.
  - Clear path to the electrical outlet that does not contain any sources of heat or oil, sharp edges or moving parts that may damage electrical cord.
  - Dry place for operator. Do not use the Power Drive while standing in water.
  - Level ground for trisland vise and pipe stands.
- Clean up the work area prior to setting up any equipment. Always wipe up any oil that may have splashed or dripped from the oiler to prevent slips and falls.
- With dry hands, plug the Power Drive into the electrical outlet making sure to position the power cord along the clear path selected earlier. If the power cord does not reach the outlet, use an extension cord in good condition.

**▲ WARNING** To avoid electrical shock and electrical fires, never use an extension cord that is damaged or does not meet the following requirements:

- The cord is rated as “W” or “W-A” if being used outdoors.
- The cord has sufficient wire thickness (14 AWG below 25’/12 AWG 25’ - 50’). If the wire thickness is too small, the cord may overheat, melting the cord’s insulation or causing nearby objects to ignite.

**▲ WARNING** To reduce risk of electrical shock, keep all electrical connections dry and off the ground. Do not touch plug with wet hands.

- Check the Power Drive to insure it is operating properly.
  - Depress the switch and make sure it controls the stopping of the Power drive by releasing the switch.
  - Depress and hold the switch. Inspect the moving parts for misalignment, binding, odd noises or any other unusual conditions that may affect the safe and normal operation of the tool. If such conditions are present, have the power drive serviced.
  - Flip the directional switch to the opposite direction. Check that that power drive rotates in an opposite direction.

**CAUTION** Change position of the directional switch only when motor is switched OFF.

## Operating Instructions For Threading With Drop Head Die Heads

### ▲ WARNING



**Do not wear gloves or loose clothing when operating Power Drive. Keep sleeves and jackets buttoned.**

**Do not use this Power Drive if switches are broken. Always wear eye protection to protect eyes from dirt and other foreign objects.**

**When threading pipe 3/4” or larger, use the No. 601 Support Arm to resist high handle force developed during threading.**

- Push Die Heads, spline end first, squarely into the Power Drive until the spring catches securely (*Figure 2*).

NOTE! Installation can be made into either side of the Power Drive.



Figure 2 – Installing No. 11-R Drop Head Die Head

2. If possible, secure the pipe in a portable tristan vise or a bench vise.

**⚠ WARNING** To prevent tipping, long lengths of pipe should also be supported with pipe stand.

3. Be sure the 418 Oiler is properly filled with RIDGID Thread Cutting Oil. Position the oiler in front of the vise.
4. Position No. 601 Support Arm on pipe so end of torque arm is in line with end of the pipe (Figures 3 & 4).

**⚠ WARNING** To avoid serious injury from losing control of the Power Drive, a support arm should be used when threading  $\frac{3}{4}$ " or larger pipe.

When threading pipe less than  $\frac{3}{4}$ " in size without a support arm, hold onto the Power Drive firmly with one hand to exert pressure against the handle forces developed during threading.



Figure 3 – Using No. 601 Support Arm when threading  $\frac{3}{4}$ " pipe and larger

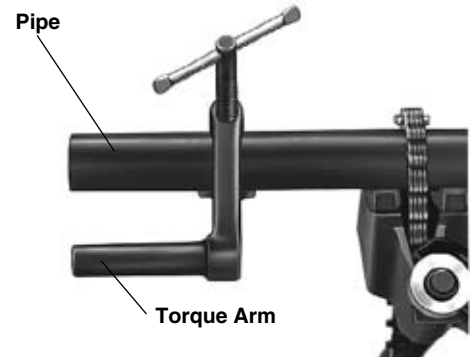
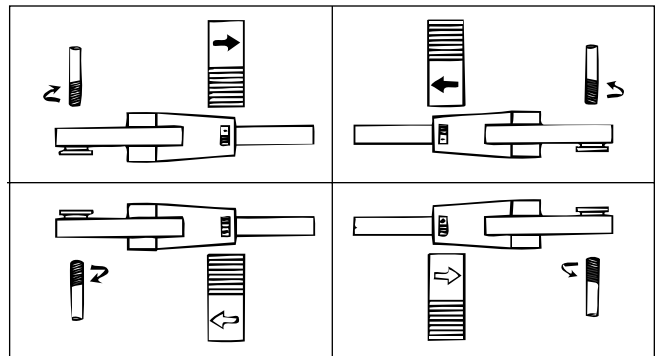


Figure 4 – Positioning No. 601 Torque Arm in Line with End of Pipe

5. Position the directional switch for the desired right or left hand thread (Figure 5).

**⚠ CAUTION** Change position of the directional switch only when the motor is switched OFF.



A. Right Hand Thread

B. Left Hand Thread

Figure 5 – Direction Change Switch/Die Head Orientation.

6. Place Die Head over end of pipe.

**⚠ WARNING** To avoid serious injury, make sure Power Drive is correctly positioned on support arm. For right hand threads, die head will rotate clockwise (looking at the face of the Die Head). Forces developed by the threading torque will be in the opposite or counter-clockwise direction.

7. Simultaneously actuate the ON/OFF switch and exert pressure against the Die Head with the palm of free hand to make sure thread is started. Apply plenty of thread cutting oil to the dies during threading. This will reduce the torque required to thread and improve the thread quality (Figure 6).
8. Keep ON/OFF switch depressed until end of the pipe is even with edge of the dies and release the switch button.





Figure 6 – Threading Pipe and Applying Oil

- Back off the Die Head from the threaded pipe, reversing the directional switch and actuating the ON/OFF switch.

**▲ WARNING** Hold onto the Power Drive handle firmly to resist handle forces developed while backing off the Die Head.

- When dies clear the end of the pipe, grip the handle on top of the Power Drive and remove the Power Drive and Die Head from the pipe.
- Remove the support arm from the pipe and the pipe from the vise.

**▲ WARNING** To avoid injury, make sure long sections of pipe are supported at the end farthest away from the vise prior to removal.

- Clean up any oil spills or splatter on the ground surrounding the vise and oiler.

## Accessories

### ▲ WARNING

Only the following RIDGID products have been designed to function with the 600 Power Drive. Other accessories designed for use with other tools may become hazardous when used on this Power Drive. To prevent serious injury, use only the accessories listed below.

### Accessories For Power Drive

Model No.	Description
418	Oiler with 1 Gallon of NU-Clear Thread Cutting Oil
601	Support Arm
—	Carrying Case
—	Gearhead Motor Grease

NOTE! See Ridge Tool catalog for listing of 11-R Die Heads, Pipe Supports, Vises and Thread Cutting Oil. No. 11-R Die Heads use 12-R replacement Dies.

## Maintenance Instructions

### ▲ WARNING

Make sure machine is unplugged from power source before performing maintenance or making any adjustment.

### Motor Brush Replacement

Check motor brushes every 6 months and replace brushes when they are worn to less than 1/4".

## Tool Storage

### ▲ WARNING

Motor-driven equipment must be kept indoors or well covered in rainy weather. Store the Power Drive in a locked area that is out of reach of children and people unfamiliar with power drives. This power tool can cause serious injury in the hands of untrained users.

## Service and Repair

### ▲ WARNING



Service and repair work on this Power Drive must be performed by qualified repair personnel. Tool should be taken to a RIDGID Independent Authorized Service Center or returned to the factory. All repairs made by Ridge service facilities are warranted against defects in material and workmanship.

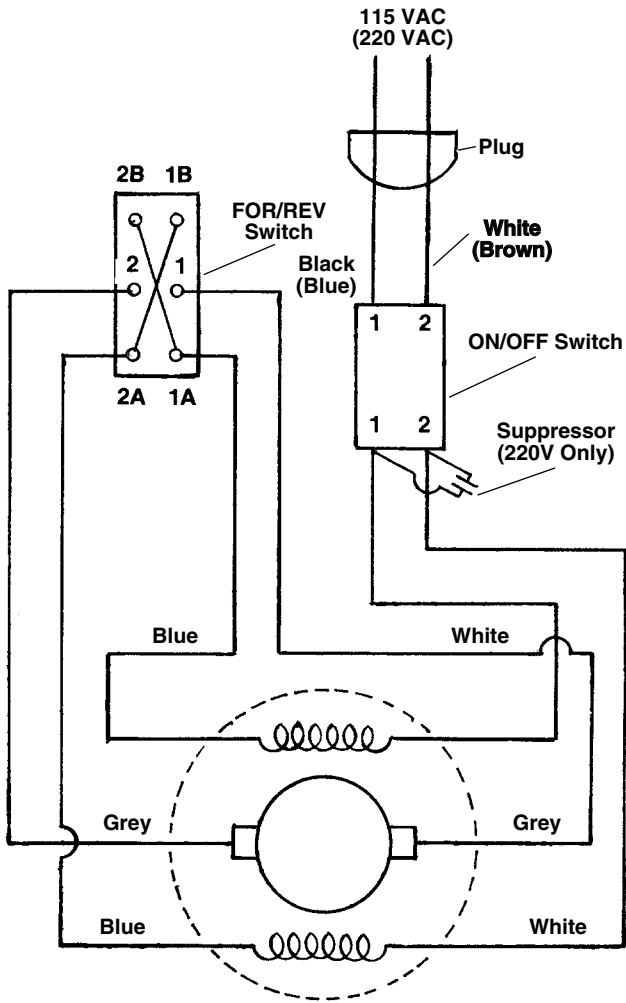
When servicing this Power Drive, only identical replacement parts should be used. Failure to follow these instructions may create a risk of electrical shock or other serious injury.

If you have any questions regarding the service or repair of this machine, call or write to:

Ridge Tool Company  
 Technical Service Department  
 400 Clark Street  
 Elyria, Ohio 44035-6001  
 Tel: (800) 519-3456  
 E-Mail: techservices@ridgid.com

For name and address of your nearest Independent Authorized Service Center, contact the Ridge Tool Company at (800) 519-3456 or <http://www.RIDGID.com>.

### Wiring Diagram — 600



## Troubleshooting

**WARNING:** Always unplug power cord before servicing Power Drive.

<b>PROBLEM</b>	<b>CAUSE</b>	<b>CORRECTION</b>
<b>Motor does not start</b>	Power drive unplugged Fuse blown Brushes do not touch armature	Plug into power source Install new fuse Check brushes, replace if worn
<b>Motor cannot be loaded</b>	Overload because of dull dies Bad quality or insufficient thread cutting oil	Replace dies Use RIDGID thread cutting oil in adequate quantity
<b>Sparks forming at motor</b>	Bad contact between brushes and brush holder Brushes do not touch commutator properly Brushes of different manufacture Sharp edge on brush	Tighten the screws, make sure brush is pressed firmly onto commutator Replace worn brushes Only use original brushes Break edge
<b>Die head does not start threading</b>	Dull or broken dies Machine running in wrong direction Improperly set dies	Replace dies Check setting of the direction switch Reset dies
<b>Damaged thread</b>	Dull dies Dies not assembled in correct sequence Low quality pipe Bad quality or insufficient thread cutting oil	Replace dies Put dies in correct sequence Make sure only pipe of good quality is used Use only RIDGID thread cutting oil in adequate quantity
<b>Support arm turns while threading</b>	Support arm jaws dirty	Clean with wire brush
<b>Die heads cannot be changed properly</b>	Burr has occurred at the spline end of the die head	Eliminate burr with file



600

# Systeme d'entraînement portatif n° 600



**RIDGID**<sup>®</sup>

## Systeme d'entraînement n° 600

Inscrivez ci-dessous le numéro de série de la plaque signalétique l'appareil pour future référence.

N° de  
série :

## Table des Matières

<b>Fiche d'enregistrement du numéro de série de l'appareil</b> .....	11
<b>Symboles de sécurité</b> .....	13
<b>Consignes générales de sécurité</b>	
Sécurité du chantier .....	13
Sécurité électrique .....	13
Sécurité personnelle .....	13
Utilisation et entretien des outils .....	14
Service après-vente .....	14
<b>Consignes de sécurité particulières</b>	
Sécurité du système d'entraînement .....	14
<b>Description, spécifications et équipements de base</b>	
Description .....	15
Spécifications .....	15
Équipements .....	15
Accessoires .....	15
<b>Inspection du système d'entraînement</b> .....	16
<b>Préparation de l'appareil et du chantier</b> .....	16
<b>Utilisation de l'appareil</b> .....	17
<b>Accessoires</b>	
Accessoires pour système d'entraînement .....	19
<b>Entretien</b>	
Remplacement des balais du moteur .....	19
<b>Stockage de l'appareil</b> .....	19
<b>Service après-vente, réparations</b> .....	19
<b>Schéma électrique</b> .....	19
<b>Dépannage</b> .....	20
<b>Garantie à vie</b> .....	Page de garde

## Symboles de sécurité

Des symboles et mots clés spécifiques, utilisés à la fois dans ce mode d'emploi et sur l'appareil lui-même, servent à signaler d'importants risques de sécurité. Ce qui suit permettra de mieux comprendre la signification de ces mots clés et symboles.



Ce symbole sert à vous avertir aux dangers physiques potentiels. Le respect des consignes qui le suivent vous permettra d'éviter les risques de blessures graves ou mortelles.



La mention DANGER signale une situation potentielle dangereuse qui, faute d'être évitée, pourrait entraîner la mort ou de graves blessures.



La mention MISE EN GARDE signale une situation potentiellement dangereuse qui, faut d'être évitée, pourrait entraîner la mort ou de graves blessures.



La mention AVERTISSEMENT signale une situation potentiellement dangereuse qui, faut d'être évitée, pourrait entraîner des blessures légères ou modérées.



La mention AVIS IMPORTANT signale des informations concernant la protection des biens.



Ce symbole incite à lire le manuel d'utilisation soigneusement avant de se servir de l'appareil. Le manuel contient d'importantes informations visant la sécurité et l'exploitation de ce matériel.



Ce symbole indique le port obligatoire de lunettes de sécurité intégrales lors de la manipulation ou utilisation du matériel afin de limiter les risques de blessure oculaire.



Ce symbole signale un risque d'entraînement, d'enchevêtrement ou d'écrasement des mains, doigts ou autres membres par le câble de curage.



Ce symbole signale un risque de choc électrique.

## Consignes générales de sécurité\*

### ▲ MISE EN GARDE

Familiarisez-vous avec l'ensemble du mode d'emploi. Le non-respect des consignes ci-après augmenterait les risques de choc électrique, d'incendie et/ou de grave blessure corporelle. Le terme « appareil électrique » utilisé dans les mises en garde suivantes vise à la fois les appareils sur secteur et les appareils à piles.

### CONSERVEZ CES INSTRUCTIONS !

#### Sur le chantier

- **Assurez-vous de la propreté et du bon éclairage des lieux.** Les établis encombrés et les locaux mal éclairés sont une invitation aux accidents.
- **N'utilisez pas d'appareils électriques en présence de matières explosives telles que liquides, gaz ou poussières combustibles.** Les appareils électriques produisent des étincelles susceptibles d'enflammer les poussières et émanations combustibles.
- **Écartez les enfants et les curieux lors de l'utilisation d'un appareil électrique.** Les distractions risquent de vous faire perdre le contrôle de l'appareil.

#### Sécurité électrique

- **La fiche électrique de l'appareil doit correspondre à la prise de courant utilisée. Ne tentez jamais de**

**modifier la fiche. N'utilisez jamais d'adaptateur sur une fiche électrique avec terre.** Les fiches intactes et adaptées aux prises de courant utilisées limitent les risques de choc électrique.

- **Évitez tout contact avec les objets reliés à la terre tels que canalisations, radiateurs, cuisinières et réfrigérateurs.** Tout contact avec la terre augmenterait les risques de choc électrique.
- **N'exposez pas l'appareil à la pluie ou aux intempéries.** Toute pénétration d'eau à l'intérieur d'un appareil électrique augmenterait les risques de choc électrique.
- **Ne maltraitez pas le cordon d'alimentation de l'appareil. Ne jamais utiliser le cordon d'alimentation pour porter, tirer ou débrancher l'appareil. Éloignez le cordon d'alimentation des sources de chaleur, de l'huile, des objets tranchants et des mécanismes.** Les cordons d'alimentation endommagés ou enchevêtrés augmentent les risques de choc électrique.
- **Lors de l'utilisation d'un appareil électrique à l'extérieur, prévoyez une rallonge électrique adaptée.** L'utilisation d'une rallonge électrique homologuée pour usage extérieur limitera les risques de choc électrique.

\* Le texte des « Consignes générales de sécurité » de ce manuel a été repris de la 3<sup>ème</sup> édition de la norme UL/CSA 60745-1. Il s'agit donc d'un texte générique visant de nombreux types d'appareils électriques dont certaines des dispositions peuvent ne pas être applicables à ce type d'appareil particulier.

## Sécurité individuelle

- **Soyez attentif, faites attention à ce que vous faites et faites preuve de bon sens lors de l'utilisation d'un appareil électrique. N'utilisez pas d'appareil électrique lorsque vous êtes sous l'influence de drogues, de l'alcool ou de médicaments.** Lors de l'utilisation d'un appareil électrique, un instant d'inattention risque d'entraîner de graves lésions corporelles.
- **Prévoyez les équipements de protection individuelle nécessaires. Portez systématiquement une protection oculaire.** Le port d'équipements de protection tels que masque à poussière, chaussures antidérapantes, casque de chantier et protecteurs d'oreilles limite les risques de lésions corporelles.
- **Évitez les démarrages accidentels en vous assurant que l'interrupteur marche/arrêt de l'appareil se trouve en position «arrêt» avant de le brancher, d'y introduire le bloc-piles ou de prendre l'appareil en main.** Le fait de porter un appareil électrique avec son doigt sur la gâchette, voire de le brancher lorsque son interrupteur se trouve en position «marche» serait une invitation aux accidents.
- **Retirez toutes clés de réglage éventuelles avant de mettre l'appareil en marche.** Une clé laissée sur un élément rotatif quelconque de l'appareil risque de provoquer des accidents.
- **Ne vous mettez pas en porte-à-faux. Maintenez une bonne position de travail et un bon équilibre à tout moment.** Cela vous permettra de mieux contrôler l'appareil en cas d'imprévu.
- **Habillez-vous de manière appropriée. Ne portez ni vêtements amples ou bijoux. Éloignez vos cheveux, vos vêtements et vos gants des mécanismes.** Les vêtements flottants, les bijoux et les cheveux longs risquent d'être entraînés par les éléments rotatifs de l'appareil.
- **En présence d'un système de récupération et d'évacuation de poussière, assurez-vous que celui-ci est correctement raccordé et utilisé.** L'emploi de récupérateurs de poussière sert à limiter les risques sanitaires liés à la présence de poussières.

## Utilisation et entretien de l'appareil

- **Ne forcez pas l'appareil. Prévoyez l'appareil approprié en fonction des travaux envisagés.** L'appareil approprié fera le travail plus efficacement et avec un plus grand niveau de sécurité lorsqu'il tourne au régime prévu.
- **N'utilisez pas d'appareil électrique dont l'inter-**

**rupteur ne contrôle pas la mise en marche ou l'arrêt.** Tout appareil électrique qui ne peut pas être contrôlé par son interrupteur est dangereux et doit être réparé.

- **Débranchez l'appareil et/ou retirez son bloc-piles avant tout réglage, stockage ou changement d'accessoires.** De telles mesures préventives limiteront les risques de démarrage accidentel de l'appareil.
- **Rangez tout appareil non utilisé hors de la portée des enfants et des individus qui n'ont pas été familiarisés avec ce type de matériel ou son mode d'emploi.** Les appareils électriques sont dangereux entre les mains d'utilisateurs non initiés.
- **Veillez à l'entretien de l'appareil. Examinez-le pour signes de grippage, de bris et de toute autre anomalie qui risquerait de nuire à son bon fonctionnement. Le cas échéant, faire réparer l'appareil avant de l'utiliser.** De nombreux accidents sont provoqués par des appareils mal entretenus.
- **Assurez le bon affûtage et la propreté des outils de coupe.** Les outils de coupe bien entretenus auront moins tendance à se gripper et sont plus faciles à contrôler.
- **Respectez les consignes suivantes et les règles de l'art applicables à l'utilisation de ce type d'appareil et accessoires (mèches, etc.) en tenant compte des conditions de travail et des travaux envisagés.** L'utilisation de cet appareil à des fins non prévues augmenterait les risques d'accident.

## Révisions et réparations

- **Lors de sa révision, confiez l'appareil à un réparateur qualifié se servant exclusivement de pièces de rechange d'origine.** Cela sera garant de la sécurité opérationnelle de l'appareil.

## Consignes de sécurité particulières

### ▲ MISE EN GARDE !

**Familiarisez-vous avec ce mode d'emploi avant de tenter d'utiliser le système d'entraînement n° 600. Le non respect des consignes qu'il contient augmenterait les risques de choc électrique, d'incendie et d'accident grave.**

Veillez adresser toutes questions éventuelles aux services techniques de la Ridge Tool Company en composant le (800) 519-3456.



## Sécurité du système d'entraînement

- **Ce système est prévu pour l'entraînement des fileteuses. Lors des travaux de filetage, respectez les consignes de ce manuel.** Toute autre utilisation augmenterait les risques d'accident grave.
- **Montez le système d'entraînement sur le support n° 601. Tenez le système d'entraînement fermement. Si le système d'entraînement ne peut pas être monté sur ce bras de support, prévoyez un autre moyen de l'arrimer.** Ce support absorbe le couple élevé transmis à la poignée de l'appareil en cours d'utilisation et permet de mieux contrôler l'appareil.
  - N'arrimez l'appareil que par son carter d'engrenages en aluminium. L'arrimage du carter moteur ou de la poignée risque d'endommager ces pièces.
- **N'utilisez pas de filières émoussées ou endommagées.** Les outils de coupe bien affûtés demandent moins de couple et rendent le système d'entraînement plus facile à contrôler.
- **N'utilisez pas l'appareil si sa gâchette ne fonctionne pas.** Le but de la gâchette est d'assurer un meilleur contrôle en arrêtant moteur lorsque vous la lâchez.
- **Ne portez pas de gants ou de vêtements amples lors de l'utilisation du système d'entraînement. Boutonnez vos manches de chemise et vos blousons.** Ne vous penchez pas sur le mécanisme du système ou sur la pièce. Vos vêtements risquent de s'y embobiner et provoquer de graves blessures.
- **Essuyez systématiquement les poignées afin d'éliminer toutes traces d'humidité, d'huile et de graisse.** Cela assurera un meilleur contrôle de l'appareil.
- **Assurez-vous que les sols sont propres et secs, sans traces d'huile ou de graisse.** Les sols glissants invitent les accidents.

## Description, spécifications et équipements de base

### Description

Le système d'entraînement RIDGID n° 600 est un appareil à double isolation qui assure l'entraînement des machines à fileter les tuyaux et conduits. Son inverseur (REV/FOR) permet de changer de sens de rotation, tandis que son interrupteur marche/arrêt (ON/OFF) à bascule assure son arrêt immédiat dès qu'il est lâché.

Ce système d'entraînement est prévu pour les têtes de filière n° 11R (pour tuyaux de 1/8 à 1 1/4 po de diamètre).

Un système de lubrification manuel est disponible pour assurer l'inondation de l'ouvrage en cours de filetage. Le support de tube n° 601 devrait être utilisé pour arrimer le système d'entraînement et absorber le couple développé durant le filetage.

### Spécifications et équipements de base

Tuyaux et conduits ..... Têtes de filières orientables type 11-R de 3 à 32 mm (1/8 à 1 1/4 po)

Moteur :

Type ..... Universel

Alimentation

électrique ..... 115V monophasé, courant alternatif (220V disponible), 50/60 Hz

Ampères ..... 15A

Watts ..... 1020

Interrupteurs :

marche/arrêt ..... interrupteur à bascule industriel avec verrouillage

inverseur ..... interrupteur FOR/REV (avant/arrière)

Tête d'engrenages ..... Carter en fonte d'aluminium, lubrification permanente

Longueur ..... 51 cm (20 po)

Poids ..... 5,5 kg (12,5 livres)

Support de tube

n° 601 ..... Absorbe le couple développé par le système d'entraînement

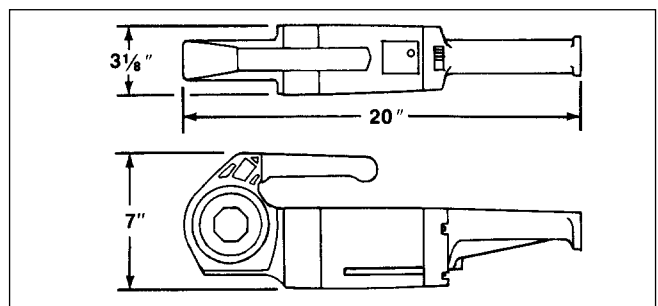


Figure 1 – Dimensions du système d'entraînement n° 600

Réf. Cat.	Modèle	Description	Poids	
			(lb)	(kg)
36902	600	Kit 115V + coffret (sans tête de filière)	26	11,8
36912	600	115V, 1/2 à 1 1/4 po NPT + coffret	36	16,4
36917	600	115V Export, 1/2 à 1 1/4 po BSPT + coffret	36	16,4
36932	600	220V Export, 1/2 à 1 1/4 po NPT + coffret	36	16,4
36937	600	220V Export, 1/2 à 1 1/4 po BSPT + coffret	36	16,4

**Accessoires**

Têtes de filière (7)

n° 11-R ..... 1/8, 1/4, 3/8, 1/2, 3/4, 1 et 1 1/4 po

Système de lubrification

n° 418 ..... Système de lubrification avec  
1 gallon d'huile de coupe  
RIDGID

Coffret ..... portant système d'entraîne-  
ment + 6 têtes de filière

**Inspection du système  
d'entraînement**

**▲ MISE EN GARDE !**



**Inspectez le système d'entraînement afin d'éviter les risques d'accident grave. L'inspection suivante doit être effectuée au quotidien :**

1. Vérifiez que le système d'entraînement est débranché.
2. Inspectez le cordon d'alimentation et sa fiche pour signes de détérioration. Si la fiche a été modifiée ou le cordon endommagé, ne pas utiliser le système d'entraînement avant que le cordon ait été remplacé.
3. Inspectez le système d'entraînement pour signes de pièces brisées, manquantes, mal alignées ou grippées, ainsi que pour toutes autres conditions qui pourraient nuire à la sécurité ou à l'utilisation normale de l'appareil. Le cas échéant, ne pas utiliser le système d'entraînement avant de l'avoir réparé.
4. Utilisez les outils et accessoires prévus pour ce système d'entraînement particulier et qui répondent aux besoins de l'application envisagée. Les outils et accessoires appropriés assurent un meilleur travail et une meilleure sécurité. L'adaptation à ce système d'entraînement d'accessoires prévus pour d'autres types d'appareils peut s'avérer dangereuse.
5. Éliminez toutes traces d'huile, de graisse et de crasse des poignées et des commandes de l'appareil. Cela réduira les risques de perte de contrôle de l'appareil et les risques d'accident correspondants.

Examinez le tranchant des filières. Si nécessaire, remplacez les filières avant d'utiliser ce système d'entraînement. Des filières émoussées ou endom-

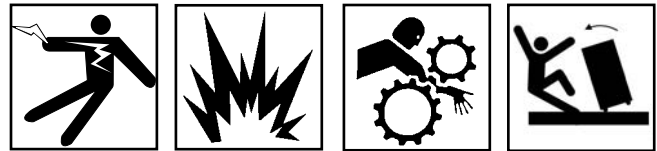
magées peuvent provoquer le grippage de l'appareil ou produire une mauvaise qualité de filetage.

6. Nettoyez le tiroir à copeaux du système de lubrification n° 418 de tous copeaux métalliques et autres débris. Vérifiez le niveau et l'état de l'huile de filetage. Remplacez l'huile ou faites-en l'appoint selon besoin.

NOTA ! L'huile de coupe permet de lubrifier et refroidir les filets durant l'opération de filetage. Une huile de coupe encrassée ou de mauvaise qualité risque de produire des filetages de mauvaise qualité.

**Préparation de l'appareil et  
du chantier**

**▲ MISE EN GARDE !**



**Afin d'éviter les risques d'accident grave, il est nécessaire de préparer l'appareil et le chantier de manière appropriée. Respectez les consignes suivantes lors de la préparation de l'appareil.**

1. Assurez-vous que le chantier a les caractéristiques suivantes :
  - Suffisamment d'éclairage.
  - Absence de liquides, vapeurs ou poussières combustibles.
  - Un passage dégagé jusqu'à la prise de courant sans sources de chaleur, sans huile, sans arrêtes vives, et sans mécanismes qui risqueraient d'endommager le cordon d'alimentation.
  - Un endroit sec pour l'opérateur. Ne pas utiliser le système d'entraînement lorsque vous avez les pieds dans l'eau.
  - Un sol de niveau pour l'étau à trépied et les portetubes.
2. Nettoyez le chantier avant d'installer le matériel. Essuyez systématiquement toutes traces d'huile qui auraient pu s'éclabousser ou s'écouler de l'appareil ou du système de lubrification afin d'éviter les risques de dérapage et de chute.
3. Avec les mains sèches, branchez le cordon d'alimentation du système d'entraînement en faisant attention de suivre le passage dégagé précédemment établi. Si le cordon d'alimentation n'arrive pas jusqu'à la prise d'alimentation, utilisez une rallonge électrique en bon état.

**▲ MISE EN GARDE** Afin d'éviter les risques de choc et d'incendie électrique, ne jamais utiliser une rallonge électrique endommagée ou qui ne répond pas aux critères suivants :

- Tout cordon d'alimentation électrique utilisé à l'extérieur doit porter la désignation "W" ou "W-A".
- Le cordon électrique doit avoir une section suffisante (14 AWG à moins de 25 pieds /12 AWG de 25 à 50 pieds). Un cordon de section insuffisante risque de surchauffer et de fondre son isolation ou enflammer les objets à proximité.

**▲ MISE EN GARDE** Afin d'éviter les risques de choc électrique, gardez toutes connexions électriques au sec et surélevées. Ne jamais toucher une fiche électrique avec les mains mouillées.

4. Vérifiez le bon fonctionnement du système d'entraînement.
  - Appuyez sur l'interrupteur pour vous assurer que le système d'entraînement s'arrête dès que vous le lâchez.
  - Tenez l'interrupteur appuyé, puis examinez l'appareil pour signes de mauvais alignement, grippage, bruits étranges ou autres anomalies qui pourraient nuire à son bon fonctionnement ou à sa sécurité. Le cas échéant, confiez le système d'entraînement à un réparateur.
  - Actionnez l'inverseur de rotation et vérifiez que le système d'entraînement tourne en direction opposée.

**AVERTISSEMENT** Ne jamais actionner l'inverseur lorsque le moteur est en marche.

## Filetage à l'aide de têtes de filières orientables

### ▲ MISE EN GARDE !



**Ne pas porter de gants ou de vêtements amples lors de l'utilisation du système d'entraînement. Boutonnez vos manches et vos blousons.**

**Ne pas utiliser ce système d'entraînement lorsque ses commandes sont endommagées. Portez systématiquement des lunettes de sécurité afin de protéger vos yeux contre la projection de débris.**

**Lors du filetage des tuyaux de 3/4 po ou plus, utilisez le support de tube n° 601 pour résister au couple élevé produit lors du filetage.**

1. Enfoncez les têtes de filière, côté engrenages en premier, fermement dans le système d'entraînement jusqu'à ce que le ressort s'engage complètement (Figure 2).

NOTA ! Les têtes de filières peuvent être engagées des deux côtés du système d'entraînement.

2. Si possible, arrimez le tuyau dans un étau à trépied portatif ou dans un étau d'établi.



Figure 2 – Installation de la tête de filière orientable n° 11-R

**▲ MISE EN GARDE** Afin d'éviter le renversement éventuel des tuyaux de grande longueur, soutenez-les à l'aide d'un porte-tubes.

3. Vérifiez que le système de lubrification n° 418 est suffisamment rempli d'huile de coupe RIDGID. Placez le système de lubrification devant l'étau.
4. Positionnez le support de tube n° 601 de manière à ce que sa barre de torsion soit alignée avec l'extrémité du tuyau (Figures 3 et 4).

**▲ MISE EN GARDE** Lors du filetage des tuyaux d'une section de 3/4 po ou plus, l'utilisation d'un support de tube permet d'éviter les blessures qui pourraient être occasionnées par la perte de contrôle du système d'entraînement.

Lors du filetage des tuyaux d'une section inférieure à 3/4 po sans l'utilisation d'un support de tube, tenez le système d'entraînement fermement d'une main afin de compenser les forces exercées sur la poignée lors du filetage.



Figure 3 – Utilisation du support de tube n° 601 lors du filetage des tuyaux d'une section égale ou supérieure à 3/4 po

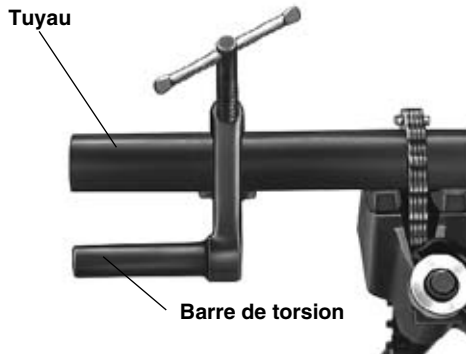
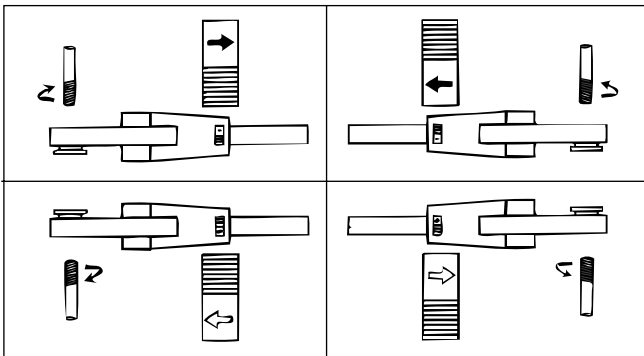


Figure 4 – Alignement de la barre de torsion du support de tube n° 601 sur l'extrémité du tuyau

5. Tournez l'inverseur selon le filetage à droite ou à gauche voulu. (Figure 5).

**AVERTISSEMENT** l'inverseur lorsque le moteur est en marche.



A. Filetage à droite

B. Filetage à gauche

Figure 5 – Orientation de l'inverseur et de la tête de filière.

6. Enfilez la tête de filière sur le tuyau.

**▲ MISE EN GARDE** Afin d'éviter de graves accidents, assurez-vous que le système d'entraînement est correctement positionné sur le support. Lors du filetage à droite, la tête de filière tournera à droite (en regardant la tête de filière de face). Le couple produit par celle-ci sera en direction opposée (à gauche).

7. Activez l'interrupteur marche/arrêt, tout en appuyant sur la tête de filière avec la paume de votre main libre pour d'entamer le filetage. Appliquez une copieuse quantité d'huile de coupe aux filières tout au long du filetage. Cela réduira le couple nécessaire au filetage et produira des filets de meilleure qualité (Figure 6).

8. Gardez l'interrupteur marche/arrêt appuyé jusqu'à ce que le tuyau arrive à fleur du bord des filières, puis lâchez-le.



Figure 6 – Filetage des tuyaux et application de l'huile

9. Ramenez la tête de filière du tuyau fileté en inversant le sens de rotation, puis en appuyant sur l'interrupteur marche/arrêt.

**▲ MISE EN GARDE** Tenez la poignée du système d'entraînement fermement en prévision du couple produit lors du retrait de la tête de filière.

10. Lorsque les filières dégagent l'extrémité du tuyau, prenez le système d'entraînement par sa poignée supérieure et retirez l'ensemble du tuyau.

11. Retirez le support de tube du tuyau, puis retirez le tuyau de l'étau.

**▲ MISE EN GARDE** Afin d'éviter les risques d'accident, soutenez l'autre extrémité des tuyaux de grande longueur avant d'ouvrir l'étau.

12. Essuyez toutes traces de déversement ou d'éclaboussure d'huile laissées au sol par le système de lubrification.

## Accessoires

### ▲ MISE EN GARDE !

Seuls les produits RIDGID suivants ont été conçus pour fonctionner avec le système d'entraînement n° 600. L'utilisation sur ce système d'entraînement d'accessoires prévus pour d'autres types d'appareil peut s'avérer dangereuse. Afin d'éviter les risques d'accident grave, utilisez exclusivement les accessoires indiqués ci-dessous.

### Accessoires pour système d'entraînement

Référence	Désignation
418	Système de lubrification avec 1 gallon d'huile de coupe NU-Clear
601	Support de tube
—	Coffret
—	Graisse pour tête d'engrenages

NOTA ! Consulter le catalogue Ridge Tool pour la liste des têtes de filière R-11, supports de tuyaux, étau et huiles de coupe. Les têtes de filière R-11 utilisent les filières de rechange type 12-R.

## Entretien

### ▲ MISE EN GARDE !

**Assurez-vous que l'appareil est débranché avant tout entretien ou réglage.**

### Remplacement des balais du moteur

Examinez les balais du moteur tous les six mois et remplacez-les dès qu'ils sont usés à moins de 1/4 po d'épaisseur.

## Rangement de l'appareil

### ▲ MISE EN GARDE !

Tout matériel électrique doit être rangé à l'intérieur ou suffisamment bien protégé contre les intempéries. Rangez l'appareil dans un local fermé à clé qui soit hors de la portée des enfants et des individus inexpérimentés avec le fonctionnement des systèmes d'entraînement. Cet appareil peut être dangereux entre les mains d'un utilisateur inexpérimenté.

## Entretien et réparations

### ▲ MISE EN GARDE !



L'entretien et la réparation de ce système d'entraînement doivent être confiés à un réparateur qualifié. Le système d'entraînement devrait être confié à un réparateur RIDGID agréé ou renvoyé à l'usine. Toutes réparations effectuées par les services techniques Ridge sont garanties contre les vices de matériaux et de main d'œuvre.

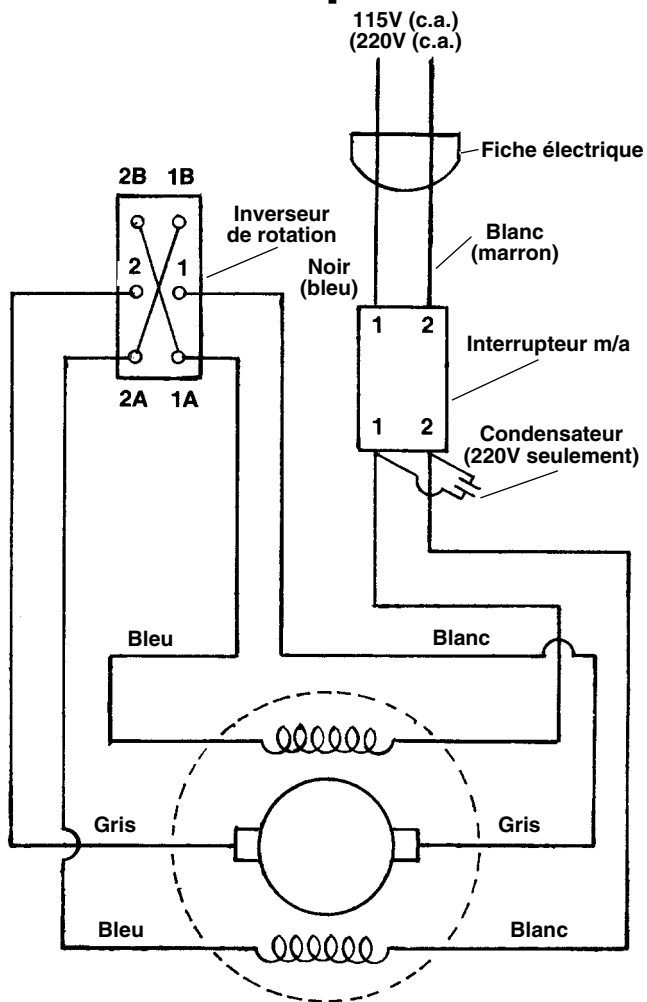
Lors de l'entretien ou de la réparation du système d'entraînement, utilisez exclusivement des pièces de rechange identiques aux pièces d'origine. Le non respect de ces consignes pourrait augmenter les risques de choc électrique ou d'accident grave.

En cas de questions concernant l'entretien ou la réparation de cet appareil veuillez appeler ou écrire aux coordonnées suivantes :

Ridge Tool Company  
 Technical Service Department  
 400 Clark Street  
 Elyria, Ohio 44035-6001  
 Tel: (800) 519-3456  
 E-Mail: techservices@ridgid.com

Pour obtenir les coordonnées du réparateur agréé le plus proche, veuillez consulter la Ridge Tool Company au (800) 519-3456 ou <http://www.RIDGID.com>

### Schéma électrique - 600



## Dépannage

MISE EN GARDE : Débranchez le système d'entraînement avant toute intervention.

### Tableau de dépannage

PROBLEME	CAUSE	REMEDE
Le moteur ne fonctionne pas	Le système d'entraînement est débranché	Brancher l'appareil
	Un fusible a sauté	Installer un nouveau fusible
	Les balais ne touchent pas l'armature	Examiner les balais. Remplacer les balais usés
Le moteur ne peut pas être sollicité	Des filières émoussées surchargent le moteur	Remplacer les filières
	Mauvaise qualité ou manque d'huile de coupe	Utiliser une quantité suffisante d'huile de coupe RIDGID
Le moteur émet des étincelles	Mauvais contact entre balais et porte-balais	Serrer les vis. S'assurer que les balais s'appuient fermement contre le commutateur
	Les balais ne touchent pas le commutateur correctement	Remplacer les balais usés
	Balais d'origine différente	Utiliser exclusivement des balais d'origine
	Angle aigu sur un des balais	Casser l'arrête
La tête de filière n'entame pas le tuyau	Filières émoussées ou brisées	Remplacer les filières
	L'appareil tourne dans le mauvais sens	Vérifier la position de l'inverseur
	Filières mal ajustées	Réajuster les filières
Le filetage est endommagé	Filières émoussées	Remplacer les filières
	Filières installées dans le mauvais ordre	Installer les filières dans l'ordre prévu
	Tuyau de mauvaise qualité	Utiliser exclusivement des tuyaux de bonne qualité
	Mauvaise qualité ou insuffisance d'huile de coupe	Utiliser exclusivement de l'huile de coupe RIDGID en quantité suffisante
Le support de tube tourne lors du filetage	Mâchoires du support de tube encrassées	Nettoyer à la brosse métallique
Les têtes de filière ne peuvent pas être changées correctement	Il y a une bavure du côté entraînement de la tête de filière	Limer la bavure





600

# Accionamiento motorizado portátil No. 600



## **⚠ ADVERTENCIA**

Lea este Manual del Operario detenidamente antes de hacer funcionar esta máquina. Ocurren descargas eléctricas, incendios y/o graves lesiones personales cuando no se comprenden o no se respetan las instrucciones del manual.

### **Accionamiento motorizado portátil No. 600**

A continuación anote el número de serie que aparece en la placa de características del producto.

No. de  
Serie

--

## Índice

<b>Ficha para apuntar el Número de Serie del aparato</b> .....	21
<b>Información general de seguridad</b>	
Seguridad en la zona de trabajo .....	23
Seguridad eléctrica .....	23
Seguridad personal .....	24
Uso y cuidado del aparato .....	24
Reparaciones.....	24
<b>Información específica de seguridad</b>	
Seguridad del Accionamiento motorizado .....	24
<b>Descripción, especificaciones y equipo estándar</b>	
Descripción .....	25
Especificaciones y equipo estándar.....	25
Accesorios .....	25
<b>Inspección del Accionamiento motorizado</b> .....	26
<b>Preparación del aparato y de la zona de trabajo</b> .....	26
<b>Instrucciones de funcionamiento para el roscado con cabezales de terrajas de quita y pon</b> .....	27
<b>Accesorios</b>	
Accesorios para el Modelo .....	29
<b>Instrucciones para el mantenimiento</b>	
Recambio de las escobillas del motor .....	29
<b>Almacenamiento del aparato</b> .....	29
<b>Servicio de reparaciones</b> .....	29
<b>Diagrama de cableado</b> .....	30
<b>Detección de averías</b> .....	31
<b>Garantía vitalicia</b> .....	carátula posterior

## Simbología de seguridad

En este manual del operario y en la máquina misma encontrará símbolos y palabras que entregan importantes datos de seguridad. Para su mejor comprensión, se describen a continuación estos símbolos de advertencia.



Este es el símbolo de alerta de seguridad. Se emplea para poner en guardia al operario sobre las lesiones corporales que podría sufrir al usar esta máquina. Obedezca todas las instrucciones que acompañan a este símbolo de alerta para evitar lesiones o muertes.



Este símbolo de PELIGRO advierte de una situación de riesgo o peligro que, si no se evita, ocasionará la muerte o graves lesiones.



Este símbolo de ADVERTENCIA advierte de una situación de riesgo o peligro que, si no se evita, podría ocasionar la muerte o lesiones graves.



Este símbolo de CUIDADO previene de una situación de riesgo o peligro que, si no se evita, podría ocasionar lesiones leves o menores.



Un AVISO entrega información sobre la protección de un bien material.



Este símbolo señala que, antes de usar una máquina o equipo, es necesario leer detenidamente su manual del operario. El manual de una máquina contiene importante información acerca del funcionamiento apropiado y seguro de ella.



Este símbolo señala que, al hacer uso de esta máquina, el operario debe ponerse gafas o anteojos de seguridad con viseras laterales para evitar lastimarse los ojos.



Este símbolo señala que existe el peligro de que dedos, manos u otras partes del cuerpo se atrapados, envueltos o aplastados por el cable de la limpiadora de desagües.



Este símbolo advierte del peligro de descargas eléctricas.

## Reglas de seguridad general\*

### ⚠ ADVERTENCIA

Lea todas las instrucciones. Pueden ocurrir golpes eléctricos, incendios y/o lesiones corporales graves si no se siguen todas las instrucciones detalladas a continuación. El término "aparato motorizado" empleado en las advertencias siguientes se refiere tanto a los aparatos eléctricos como a los accionados a pila.

### ¡GUARDE ESTAS INSTRUCCIONES!

### Seguridad en la zona de trabajo

- **Mantenga su área de trabajo limpia y bien alumbrada.** Las zonas oscuras o desordenadas provocan accidentes.
- **No haga funcionar aparatos motorizados en presencia de combustibles tales como líquidos, gases o polvos inflamables.** Los aparatos motorizados generan chispas que pueden inflamar el polvo o las emanaciones combustibles.
- **Al hacer funcionar un aparato motorizado, mantenga apartados a los curiosos y niños.** Las distracciones pueden hacerle perder el control del aparato.

### Seguridad eléctrica

- **El enchufe del aparato debe corresponder al tomacorriente. Jamás modifique el enchufe del aparato. Cuando emplee un aparato a motor provisto de**

**conexión a tierra, no utilice un enchufe adaptador** Así se evita el riesgo de que ocurran descargas eléctricas.

- **Evite el contacto de su cuerpo con artefactos conectados a tierra tales como cañerías, radiadores, estufas o cocinas, y refrigeradores.** Aumenta el riesgo de que se produzca una descarga eléctrica cuando su cuerpo ofrece conducción a tierra.
- **No exponga los aparatos motorizados a la lluvia o a condiciones mojadas.** Cuando agua penetra en un aparato a motor, aumenta el riesgo de que se produzcan descargas eléctricas.
- **No maltrate el cordón eléctrico del aparato. Nunca transporte el aparato tomándolo de su cordón eléctrico ni jale del cordón para desenchufarlo del tomacorriente. Mantenga el cordón apartado del calor, aceite, bordes cortantes o piezas móviles.** Un cordón enredado o en mal estado aumenta el riesgo de que se produzcan descargas eléctricas.
- **Al hacer funcionar un aparato motorizado a la intemperie, emplee un cordón de extensión fabricado para uso exterior.** Los alargadores diseñados para su empleo al aire libre reducen el riesgo de que se produzcan choques eléctricos.

### Seguridad personal

- **Manténgase alerta, preste atención a lo que está**

\* Como es obligatorio, se han copiado en la sección Reglas de Seguridad General las palabras textuales de la norma pertinente UL/CSA 60745. Esta sección contiene las prácticas de seguridad general aplicables al uso de diversos tipos de herramientas motorizadas. No todas las precauciones se aplican a cada herramienta, y algunas no le competen a este aparato.

haciendo y use sentido común cuando trabaje con un aparato motorizado. No lo use si está cansado o se encuentra bajo la influencia de drogas, alcohol o medicamentos. Sólo un breve descuido mientras hace funcionar un aparato a motor puede resultar en lesiones graves.

- Evite echar a andar un aparato sin querer. Asegure que el interruptor de la herramienta se encuentra en la posición OFF (apagado) antes de enchufar el aparato a la corriente eléctrica o de conectarlo a su pila, de tomarlo o acarrearlo. Se producen accidentes cuando se transportan aparatos con el dedo puesto sobre su interruptor, o cuando se los enchufa o conecta a la fuente de corriente con el interruptor en la posición de encendido (ON).
- Antes de encender el aparato, extraiga cualquier llave que esté acoplada a él. Una llave acoplada a una pieza o parte móvil del aparato puede herirlo.
- No trate de extender su cuerpo para alcanzar algo. Mantenga sus pies firmes en tierra y un buen equilibrio en todo momento. Así se ejerce mejor control sobre el aparato en situaciones inesperadas.
- Vístase adecuadamente. No lleve ropa suelta ni joyas. Mantenga cabello, ropa y guantes apartados de las piezas en movimiento. La ropa suelta, las joyas o el pelo largo pueden engancharse en las piezas móviles.
- Si se proveen dispositivos para la extracción y recolección del polvo cuando se usa el aparato, conéctelos y empléelos correctamente. El uso de mecanismos que limpian el aire en el ambiente de trabajo reduce el riesgo de problemas respiratorios.

### Uso y cuidado del aparato motorizado

- No fuerce el aparato. Use el aparato correcto para el trabajo que realizará. El aparato adecuado hará el trabajo mejor y de manera más segura, a la velocidad para la cual fue diseñado.
- Si el interruptor del aparato no lo enciende o no lo apaga, no use el aparato. Cualquier herramienta motorizada que no pueda ser controlada mediante su interruptor es peligrosa y debe ser reparada.
- Antes de efectuar trabajos de regulación, de cambiar accesorios o de almacenar el aparato, desenchúfelo y/o extráigale la pila. Este tipo de seguridad preventiva reduce el riesgo de poner el aparato en marcha involuntariamente.
- Almacene los aparatos que no estén en uso fuera del alcance de niños y no permita que los hagan funcionar personas sin capacitación para usarlos

o que no hayan leído estas instrucciones. Las herramientas motorizadas son peligrosas en manos inexpertas.

- Hágale buen mantenimiento a sus máquinas y aparatos a motor. Revise que las piezas móviles del aparato no estén desalineadas o agarrotadas. Cerciórese de que no tiene piezas quebradas y que no existe alguna condición que pueda afectar su buen funcionamiento. En caso de estar dañado, antes de usarlo, hágalo componer. Numerosos accidentes son causados por aparatos que no han recibido un mantenimiento adecuado.
- Mantenga las hojas y filos de corte afilados y limpios. Las herramientas de cortar provistas de filos afilados son menos propensas a trabarse y se manejan con mayor facilidad.
- Utilice el aparato motorizado, sus accesorios, brocas y barrenas, en conformidad con estas instrucciones, teniendo en cuenta las condiciones imperantes y la tarea que deberá realizar. Cuando se emplea un aparato a motor para efectuar trabajos que no le son propios, se crean situaciones peligrosas.

### Servicio

- El servicio del aparato debe encomendarse únicamente a técnicos calificados que empleen únicamente repuestos legítimos. Así se garantiza la continua seguridad del aparato.

## Información específica de seguridad

### ▲ ADVERTENCIA

Lea este manual del operario cuidadosamente antes de usar el Accionamiento motorizado No. 600. Pueden producirse choques eléctricos, incendios y/o graves lesiones personales si no se comprenden y respetan todas las instrucciones de este manual.

Si tiene cualquier pregunta, llame al Departamento de Servicio Técnico de Ridge Tool Company al (800) 519-3456.

### Seguridad del Accionamiento motorizado

- Este Accionamiento motorizado fue diseñado para hacer girar roscadoras y otros equipos. Siga las instrucciones de este Manual del Operario para emplear este aparato correctamente en tareas de roscado. Cuando se lo emplee para propulsar otros equipos, lea y siga las instrucciones de seguridad y funcionamiento que vienen con cada

uno de estos equipos en particular. Corre el riesgo de lesionarse gravemente cuando el aparato se somete a usos indebidos.

- **Apoye y sujete firmemente el Accionamiento motorizado en el Brazo de Soporte No. 601. Si no es posible sostener el Accionamiento motorizado con este soporte, emplee otro medio mecánico.** El soporte o brazo de apoyo aguanta la fuerte presión que se genera durante su uso e impide que usted pierda el control del aparato.
- **Emplee únicamente la caja de engranajes -de aluminio- para sujetar el Accionamiento motorizado.** Es posible que el alojamiento del motor o el mango se dañen o quiebren si se emplean para sostener el aparato.
- **No use terrajas desgastadas o dañadas.** Las herramientas de filos cortantes requieren menos par de torsión y permiten un mejor control del Accionamiento.
- **No use el Accionamiento si su interruptor está dañado.** El interruptor de encendido/apagado (ON/OFF) le permite controlar el aparato porque con sólo soltar su dedo se detiene el motor.
- **No lleve guantes ni ropa suelta cuando haga funcionar la máquina. Mantenga sus mangas y chaqueta abotonadas. No extienda su cuerpo sobre la máquina ni sobre la pieza de trabajo que gira.** La ropa se le puede enganchar en la máquina y causar graves lesiones personales.
- **Mantenga los mangos secos y limpios, libres de aceite y grasa.** Así conserva el control del aparato.
- **Mantenga los pisos secos y libres de materiales resbalosos, tales como el aceite.** Los suelos resbaladizos provocan accidentes.

## Descripción, especificaciones y equipo estándar

### Descripción

El Accionamiento motorizado Modelo No. 600 de RIDGID es un mecanismo de transmisión con aislamiento doble que suministra potencia para el roscado de tubos y tubería para conductores. El interruptor REV/FOR permite seleccionar la rotación hacia adelante o en reversa y el interruptor ON/OFF (encendido/apagado) de paleta se suelta para apagar el aparato.

El Accionamiento motorizado debe usarse con Cabezales de Terrajas No. 11R (tubería de 1/8 a 1 1/4 pulg.). Hay disponible un sistema de aceitado manual para mojar la pieza de trabajo mientras se la rosca. Debe usarse un

Brazo de Soporte No. 601 para sujetar el Accionamiento motorizado y oponer resistencia al par de torsión que se genera al roscar.

### Especificaciones y equipo estándar

Tubos y tubería para conductores.....Cabezales de terrajas 11-R de quita y pon: 3 a 32 mm. (1/8 a 1 1/4 pulg.)

Motor:  
 Tipo .....universal  
 Voltaje .....115V CA monofásica, (220V disponible), 50-60 Hz  
 Amperaje.....15 amps  
 Vatios .....1020

Interruptores:  
 ON/OFF (encendido/apagado) ...tipo industrial de paleta con mecanismo trabante de seguridad  
 Cambio de marcha.....interruptor de FOR/REV (adelante/reversa)

Caja de engranajes .....alojamiento de aluminio fundido a presión, engrasado permanentemente

Largo .....51 cm. (20 pulg.)

Peso .....5,5 Kg. (12,5 lbs)

Brazo de Soporte No. 601 .....absorbe el par de torsión

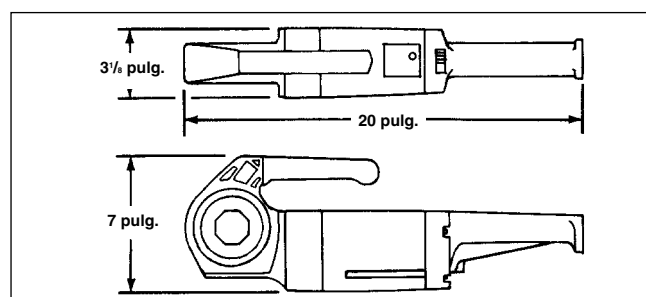


Figura 1 – Dimensiones del Accionamiento motorizado No. 600

No. en catálogo	Modelo No.	Descripción	Peso	
			Lb.	Kg.
36902	600	Kit de 115V, sin cabezal de terrajas, en maletín	26	11,8
36912	600	115V para tubería NPT de 1/2 a 1 1/4 pulg. con maletín	36	16,4
36917	600	115V para tubería BSPT de 1/2 a 1 1/4 pulg. con maletín, para exportación	36	16,4
36932	600	220V para tubería NPT de 1/2 a 1 1/4 pulg. con maletín, para exportación	36	16,4
36937	600	220V para tubería BSPT de 1/2 a 1 1/4 pulg. con maletín, para exportación	36	16,4

**Accesorios**

- (7) Cabezales de terrajas No. 11-R..... $\frac{1}{8}$ ,  $\frac{1}{4}$ ,  $\frac{3}{8}$ ,  $\frac{1}{2}$ ,  $\frac{3}{4}$ , 1 y  $1\frac{1}{4}$  pulg.
- Aceitera No. 418.....con un galón de Aceite para Roscar RIDGID
- Maletín.....para el Accionamiento motorizado y 6 cabezales de terrajas

**Inspección del Accionamiento motorizado**

**▲ ADVERTENCIA**



**Revise su Accionamiento motorizado para evitar lesiones graves. Los siguientes procedimientos de inspección deben realizarse a diario:**

1. Asegure que el Accionamiento motorizado esté desenchufado.
2. Inspeccione el cordón eléctrico y el enchufe para comprobar que están en buen estado. Si el enchufe ha sido modificado, o si el cordón está dañado, no use el Accionamiento motorizado hasta que el cordón haya sido cambiado.
3. Revise el Accionamiento motorizado para asegurar que no le faltan piezas, que no tiene piezas quebradas, desalineadas o agarrotadas, o por si existe cualquiera otra condición que pueda afectar el funcionamiento normal y seguro del aparato. Si detecta cualquier defecto, no use el Accionamiento motorizado hasta que no haya sido reparado.
4. Emplee las herramientas y accesorios específicamente indicados para su Accionamiento motorizado y para el trabajo requerido. Las herramientas y accesorios correctos le permitirán efectuar un trabajo satisfactorio y seguro. Los accesorios diseñados para usarse con otros equipos pueden resultar peligrosos si se usan con este Accionamiento motorizado.
5. Limpie el aceite, grasa o mugre de todos los mangos y controles. Así no se resbala el aparato o el mango de sus manos y disminuye el riesgo de que ocurran lesiones.

Revise los filos de corte en las terrajas. Si es necesario,

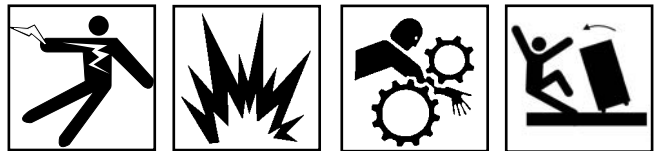
recámbielas antes de usar el Accionamiento motorizado. Las terrajas desafiladas o dañadas pueden producir agarrotamientos y roscas de baja calidad.

6. Limpie las virutas y otros desechos que puedan haber en la bandeja de virutas de la Aceitera No. 418. Revise el nivel y el estado del Aceite para Cortar Roscas. Cambie o agregue aceite, si es necesario.

**¡NOTA!** El aceite para cortar roscas lubrica y enfría las roscas durante la operación de roscado. El aceite sucio o de baja calidad puede producir roscas deficientes.

**Preparación del aparato y de la zona de trabajo**

**▲ ADVERTENCIA**



**Se requiere una adecuada preparación del Accionamiento motorizado y de la zona de trabajo para evitar que ocurran lesiones de gravedad. Deben seguirse los siguientes procedimientos para preparar el aparato:**

1. Elija una zona de trabajo donde:
  - haya suficiente luz.
  - no estén presentes líquidos, vapores o polvos que puedan prender fuego.
  - haya una senda directa hasta el tomacorriente, libre de fuentes de calor, aceites, bordes afilados o cortantes o piezas móviles que puedan dañar el cordón eléctrico.
  - haya un lugar seco para que se sitúe el operario. No use el Accionamiento motorizado si el operario estará pisando agua.
  - el suelo esté nivelado, para que la prensa de tornillo montada en trípode y los soporta-tubos queden estables.
2. Limpie la zona de trabajo antes de montar cualquier equipo. Siempre limpie todo aceite que pueda haber salpicado o goteado de la aceitera para impedir que alguien se resbale o caiga.
3. Con las manos secas, enchufe el Accionamiento motorizado al tomacorriente y extienda el cordón de suministro por la senda despejada elegida con anterioridad. Si el cordón eléctrico no alcanza a la salida de corriente, use un cordón de extensión en buen estado.

**⚠ ADVERTENCIA** Para evitar choques e incendios eléctricos, nunca use un cordón de extensión dañado o que no cumpla con los siguientes requisitos:

- estar clasificado como “W” ó “W-A”, si será usado a la intemperie.
- tener el grosor suficiente (14 AWG si mide menos de 25 pies de largo, 12 AWG si mide entre 25 y 50 pies). Si el grosor del cable es insuficiente el cordón puede sobrecalentarse, y fundir su material aislante, o prender fuego a objetos cercanos.

**⚠ ADVERTENCIA** Para reducir el riesgo de ocasionar choques eléctricos, mantenga todas las conexiones eléctricas secas y levantadas del suelo. No toque el enchufe con las manos mojadas.

4. Revise el Accionamiento motorizado para asegurar que funciona correctamente.
  - Oprima el interruptor y cerciórese de que el aparato se detiene cuando usted suelta el interruptor.
  - Oprima el interruptor y manténgalo oprimido. Revise las piezas o partes movibles por si están desalineadas o atascadas o por si emiten ruidos extraños, y asegure que no existan otras condiciones inusuales que afecten el normal y seguro funcionamiento del aparato. Si detecta alguna anomalía, lleve el motor a reparaciones.
  - Mueva el interruptor direccional REV/FOR a la posición contraria. Asegúrese de que el accionamiento motorizado gire tanto marcha adelante como marcha atrás.

**⚠ CUIDADO** Cambie la marcha direccional del interruptor solamente cuando el motor esté apagado (OFF).

## Instrucciones de funcionamiento para el roscado con cabezales de terrajas de quita y pon

### ⚠ ADVERTENCIA



No use guantes o ropa suelta cuando haga funcionar el Accionamiento motorizado. Mantenga las mangas y chaquetas abotonadas.

No use este Accionamiento motorizado si su interruptor está dañado. Siempre lleve protección para los ojos para que no les entren mugre u objetos extraños.

**Para roscar tubos de 3/4 pulgada o más, emplee un Brazo de Soporte No. 601 para que oponga resistencia al par torsor que se genera durante el roscado.**

1. Meta rectamente el cabezal de terrajas, con el borde acanalado primero, dentro del Accionamiento motorizado hasta que encaje al resorte (*Figura 2*).

¡NOTA! Se puede instalar el cabezal de terrajas en cualquiera de los dos lados del Accionamiento.



Figura 2 – Instalación del Cabezal de Terrajas de quita y pon No. 11-R

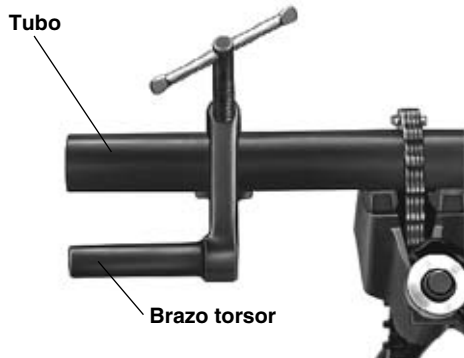
2. Si es posible, sujete el tubo con una prensa portátil de tornillo montada sobre trípode o con un tornillo de banco.

**⚠ ADVERTENCIA** Para evitar que se vuelque el equipo, también deben colocarse soportes bajo los tubos de gran longitud.

3. Asegure que la Aceitera 418 se encuentre llena de Aceite para Roscar RIDGID. Coloque la aceitera delante de la prensa de tornillo.
4. Coloque el Soporte No. 601 en el tubo de tal manera que el extremo del brazo torsor quede alineado con el extremo del tubo (*Figuras 3 y 4*).



Figura 3 – Empleo del Brazo de Soporte No. 601 cuando se roscan tubos de más de 3/4 pulg. de diámetro

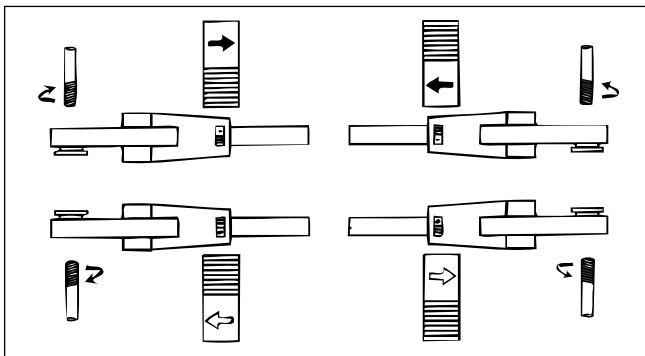


**Figura 4 – Brazo torsor No. 601 alineado con el extremo del tubo**

**⚠ ADVERTENCIA** Debe emplear un brazo de soporte cuando rosque tubos de más de 3/4 pulg. de diámetro para evitar lesiones debidas a la pérdida de control sobre el Accionamiento motorizado.

Cuando rosque tubos de menos de 3/4 pulgada sin un brazo de soporte, agarre el Accionamiento motorizado firmemente con una mano para ejercer presión sobre las fuerzas generadas en el mango durante el rosado.

5. Coloque el interruptor direccional en la posición que desee: rosado a la derecha o a la izquierda (Figura 5).



A. Roscado a mano derecha    B. Roscado a mano izquierda

**Figura 5 – Cambios de marcha con el interruptor direccional y orientación del cabezal de terrajas**

**⚠ CUIDADO** Cambie la marcha direccional del interruptor solamente cuando el motor esté apagado (OFF).

6. Coloque el cabezal de terrajas en el extremo del tubo.

**⚠ ADVERTENCIA** Para evitar lesiones de gravedad, asegure que el Accionamiento motorizado esté montado correctamente en el brazo de soporte. Para roscas a mano derecha, el cabezal de terrajas rotará hacia la derecha como los punteros del reloj (cuando se mira la cara del cabezal de terrajas). Las fuerzas generadas por la torsión del rosado irán en la dirección opuesta, es decir, hacia la izquierda.

7. Simultáneamente accione el interruptor de ON/OFF (encendido/apagado) y ejerza presión contra el cabezal de terrajas con la palma de la mano libre, para asegurarse de que la rosca se inicia. Aplique una buena cantidad de aceite para cortar roscas durante el rosado. Así se disminuye el par de torsión necesario para rosar y mejora la calidad del rosado (Figura 6).

8. Mantenga el interruptor de ON/OFF (encendido/apagado) oprimido hasta que el extremo del tubo esté al ras con el borde de las terrajas. En seguida, suelte el interruptor.



**Figura 6 – Aplicación de aceite mientras se rosca un tubo**

9. Retire el Cabezal de Terrajas del tubo rosado cambiando la marcha del interruptor direccional a reversa y accionando el interruptor de ON/OFF (encendido/apagado).

**⚠ ADVERTENCIA** Agarre el mango del Accionamiento motorizado firmemente mientras retira el cabezal de terrajas, para resistir las fuerzas generadas sobre el mango cuando se retraen las terrajas.

10. Una vez que las terrajas han salido del extremo del tubo, agarre el mango en la parte superior del Accionamiento motorizado y extraiga el Accionamiento motorizado y el cabezal de terrajas fuera del tubo.

11. Desmonte el brazo de soporte del tubo; luego, el tubo de la prensa de tornillo.

**⚠ ADVERTENCIA** Cuando trabaje con trozos largos de tubos asegure que, antes de desmontarlos, estén sujetos en el extremo más retirado de la prensa de tornillo.

12. Limpie cualquier derrame o salpicadura de aceite que haya caído al suelo alrededor de la prensa de tornillo y de la aceitera.



## Accesorios

### ⚠ ADVERTENCIA

Los siguientes productos RIDGID son los únicos aptos para funcionar con el Accionamiento motorizado No. 600. Los accesorios de otros equipos pueden resultar peligrosos si se usan en este Accionamiento motorizado. Para evitar lesiones de gravedad, sólo use los accesorios que se listan a continuación.

### Accesorios para el Accionamiento motorizado

Modelo No.	Descripción
418	Aceitera con un galón de Aceite para Roscar Nu-Clear
601	Brazo de soporte
—	Maletín
—	Grasa para engranajes del motor

¡NOTA! Consulte el catálogo de Ridge Tool para información sobre cabezales de terrajas 11-R, soportes para tubos, prensas de tomillo y aceites para roscar. Los cabezales de terrajas 11-R emplean terrajas de repuesto 12-R.

## Instrucciones para el mantenimiento

### ⚠ ADVERTENCIA

**Cerciórese de que el aparato se encuentra desenchufado antes de efectuarle cualquier mantenimiento o ajuste.**

### Recambio de las escobillas del motor

Revise las escobillas del motor cada seis (6) meses y recámbielas cuando se hayan desgastado a menos de 1/4 pulgada.

## Almacenamiento del aparato

### ⚠ ADVERTENCIA

Los equipos a motor deben guardarse dentro, bajo techo, o bien cubiertos para guarecerlos de la lluvia. Almacene el aparato bajo llave, fuera del alcance de los niños y personas que no conocen el manejo de este Accionamiento motorizado. Este equipo puede causar graves lesiones en manos de usuarios sin entrenamiento.

## Servicio de reparaciones

### ⚠ ADVERTENCIA



Las reparaciones a este Accionamiento motorizado deben efectuarlas técnicos de reparaciones calificados. El Accionamiento motorizado debe llevarse a un Servicentro Independiente Autorizado de RIDGID o devuelto a la fábrica. Toda reparación hecha en un taller Ridge está garantizada contra defectos en los materiales o de la mano de obra.

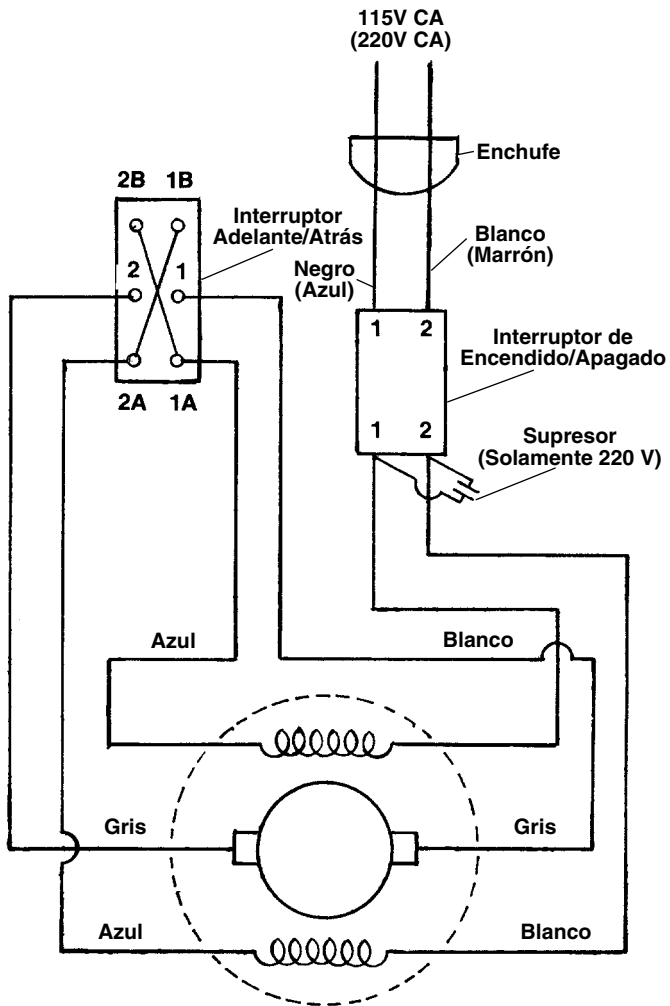
Sólo deben usarse piezas de recambio idénticas cuando a este aparato se le hacen mantenimiento o reparaciones. Si no se siguen estas instrucciones, pueden ocurrir choques eléctricos u otras lesiones de gravedad.

Si tiene cualquier pregunta relativa al mantenimiento o reparación de esta máquina, llame o escriba a :

Ridge Tool Company  
 Technical Service Department  
 400 Clark Street  
 Elyria, Ohio 44035-6001  
 Tel: (800) 519-3456  
 E-Mail: techservices@ridgid.com

Para el nombre y la dirección del Servicentro Independiente Autorizado más cercano, llame a Ridge Tool Company al (800) 519-3456 o visite nuestro sitio web: <http://www.ridgid.com>

## Diagrama de cableado - Modelo No. 600



## Detección de averías

**ADVERTENCIA:** Antes de hacerle mantenimiento o efectuar reparaciones al Accionamiento motorizado, siempre desconecte el aparato del suministro de corriente.

### Tabla para la detección de averías

PROBLEMA	CAUSA	REMEDIO
El motor no arranca	El Accionamiento motorizado está desenchufado	Enchufe el aparato al suministro eléctrico
	Se ha quemado el fusible	Instale un fusible nuevo
	Las escobillas no tocan el armazón	Revise las escobillas y recámbielas si están desgastadas
No se puede cargar el motor	Sobrecarga debido a terrajas desafiladas	Recambie las terrajas
	Insuficiente aceite para roscar o de mala calidad	Use suficiente aceite para cortar roscas marca RIDGID
El motor genera chispas	Mal contacto entre las escobillas y el portaescobillas	Apriete los tornillos, asegure que la escobilla está firmemente presionada contra el conmutador
	Las escobillas no tocan al conmutador debidamente	Recambie las escobillas desgastadas
	Las escobillas son de una marca diferente	Sólo use escobillas originales
	Las escobillas tienen bordes afilados	Elimine el borde cortante
El cabezal de terrajas no comienza a roscar	Terrajas rotas o desafiladas	Recambie las terrajas
	El aparato está funcionando en la dirección opuesta	Verifique que el interruptor direccional esté puesto en la dirección correcta
	Terrajas mal puestas o mal reguladas	Vuelva a insertar las terrajas
Rosca dañada	Terrajas desafiladas	Recambie las terrajas
	Las terrajas no están colocadas en la secuencia correcta	Coloque las terrajas en la secuencia correcta
	Baja calidad del tubo	Sólo trabaje con tubos de buena calidad
	Insuficiente aceite para roscar o de mala calidad	Use suficiente aceite para cortar roscas marca RIDGID
El brazo de soporte gira durante el roscado	Las mordazas del brazo de soporte están sucias	Limpie las mordazas con una escobilla de alambre
Los cabezales de terrajas no pueden cambiarse debidamente	En el extremo acanalado del cabezal de terrajas se han formado rebabas	Elimine las rebabas con una lima



#### What is covered

RIDGID® tools are warranted to be free of defects in workmanship and material.

#### How long coverage lasts

This warranty lasts for the lifetime of the RIDGID® tool. Warranty coverage ends when the product becomes unusable for reasons other than defects in workmanship or material.

#### How you can get service

To obtain the benefit of this warranty, deliver via prepaid transportation the complete product to RIDGE TOOL COMPANY, Elyria, Ohio, or any authorized RIDGID® INDEPENDENT SERVICE CENTER. Pipe wrenches and other hand tools should be returned to the place of purchase.

#### What we will do to correct problems

Warranted products will be repaired or replaced, at RIDGE TOOL'S option, and returned at no charge; or, if after three attempts to repair or replace during the warranty period the product is still defective, you can elect to receive a full refund of your purchase price.

#### What is not covered

Failures due to misuse, abuse or normal wear and tear are not covered by this warranty. RIDGE TOOL shall not be responsible for any incidental or consequential damages.

#### How local law relates to the warranty

Some states do not allow the exclusion or limitation of incidental or consequential damages, so the above limitation or exclusion may not apply to you. This warranty gives you specific rights, and you may also have other rights, which vary, from state to state, province to province, or country to country.

#### No other express warranty applies

This FULL LIFETIME WARRANTY is the sole and exclusive warranty for RIDGID® products. No employee, agent, dealer, or other person is authorized to alter this warranty or make any other warranty on behalf of the RIDGE TOOL COMPANY.



Parts are available online at [RIDGIDParts.com](http://RIDGIDParts.com)



#### Ridge Tool Company

400 Clark Street  
Elyria, Ohio 44035-6001

We  
Build  
Reputations™

**RIDGID®**

  
**EMERSON**  
Professional Tools

#### Ce qui est couvert

Les outils RIDGE® sont garantis contre tous vices de matériaux et de main d'œuvre.

#### Durée de couverture

Cette garantie est applicable durant la vie entière de l'outil RIDGE®. La couverture cesse dès lors que le produit devient inutilisable pour raisons autres que des vices de matériaux ou de main d'œuvre.

#### Pour invoquer la garantie

Pour toutes réparations au titre de la garantie, il convient d'expédier le produit complet en port payé à la RIDGE TOOL COMPANY, Elyria, Ohio, ou bien le remettre à un réparateur RIDGID® agréé. Les clés à pipe et autres outils à main doivent être ramenés au lieu d'achat.

#### Ce que nous ferons pour résoudre le problème

Les produits sous garantie seront à la discrétion de RIDGE TOOL, soit réparés ou remplacés, puis réexpédiés gratuitement ; ou si, après trois tentatives de réparation ou de remplacement durant la période de validité de la garantie le produit s'avère toujours défectueux, vous aurez l'option de demander le remboursement intégral de son prix d'achat.

#### Ce qui n'est pas couvert

Les défaillances dues au mauvais emploi, à l'abus ou à l'usure normale ne sont pas couvertes par cette garantie. RIDGE TOOL ne sera tenue responsable d'aucuns dommages directs ou indirects.

#### L'influence de la législation locale sur la garantie

Puisque certaines législations locales interdisent l'exclusion des dommages directs ou indirects, il se peut que la limitation ou exclusion ci-dessus ne vous soit pas applicable. Cette garantie vous donne des droits spécifiques qui peuvent être éventuellement complétés par d'autres droits prévus par votre législation locale.

#### Il n'existe aucune autre garantie expresse

Cette GARANTIE PERPETUELLE INTEGRALE est la seule et unique garantie couvrant les produits RIDGID®. Aucun employé, agent, distributeur ou tiers n'est autorisé à modifier cette garantie ou à offrir une garantie supplémentaire au nom de la RIDGE TOOL COMPANY.

#### Qué cubre

Las herramientas RIDGID están garantizadas contra defectos de la mano de obra y de los materiales empleados en su fabricación.

#### Duración de la cobertura

Esta garantía cubre a la herramienta RIDGID durante toda su vida útil. La cobertura de la garantía caduca cuando el producto se torna inservible por razones distintas a las de defectos en la mano de obra o en los materiales.

#### Cómo obtener servicio

Para obtener los beneficios de esta garantía, envíe mediante porte pagado, la totalidad del producto a RIDGE TOOL COMPANY, en Elyria, Ohio, o a cualquier Servicentro Independiente RIDGID. Las llaves para tubos y demás herramientas de mano deben devolverse a la tienda donde se adquirieron.

#### Lo que hacemos para corregir el problema

El producto bajo garantía será reparado o reemplazado por otro, a discreción de RIDGE TOOL, y devuelto sin costo; o, si aún resulta defectuoso después de haber sido reparado o sustituido tres veces durante el período de su garantía, Ud. puede optar por recibir un reembolso por el valor total de su compra.

#### Lo que no está cubierto

Esta garantía no cubre fallas debido al mal uso, abuso o desgaste normal. RIDGE TOOL no se hace responsable de daño incidental o consiguiente alguno.

#### Relación entre la garantía y las leyes locales

Algunos estados de los EE.UU. no permiten la exclusión o restricción referente a daños incidentales o consiguientes. Por lo tanto, puede que la limitación o restricción mencionada anteriormente no rija para Ud. Esta garantía le otorga derechos específicos, y puede que, además, Ud tenga otros derechos, los cuales varían de estado a estado, provincia a provincia o país a país.

#### No rige ninguna otra garantía expresa

Esta GARANTIA VITALICIA es la única y exclusiva garantía para los productos RIDGID. Ningún empleado, agente, distribuidor u otra persona está autorizado para modificar esta garantía u ofrecer cualquier otra garantía en nombre de RIDGE TOOL COMPANY.

EMERSON. CONSIDER IT SOLVED.™