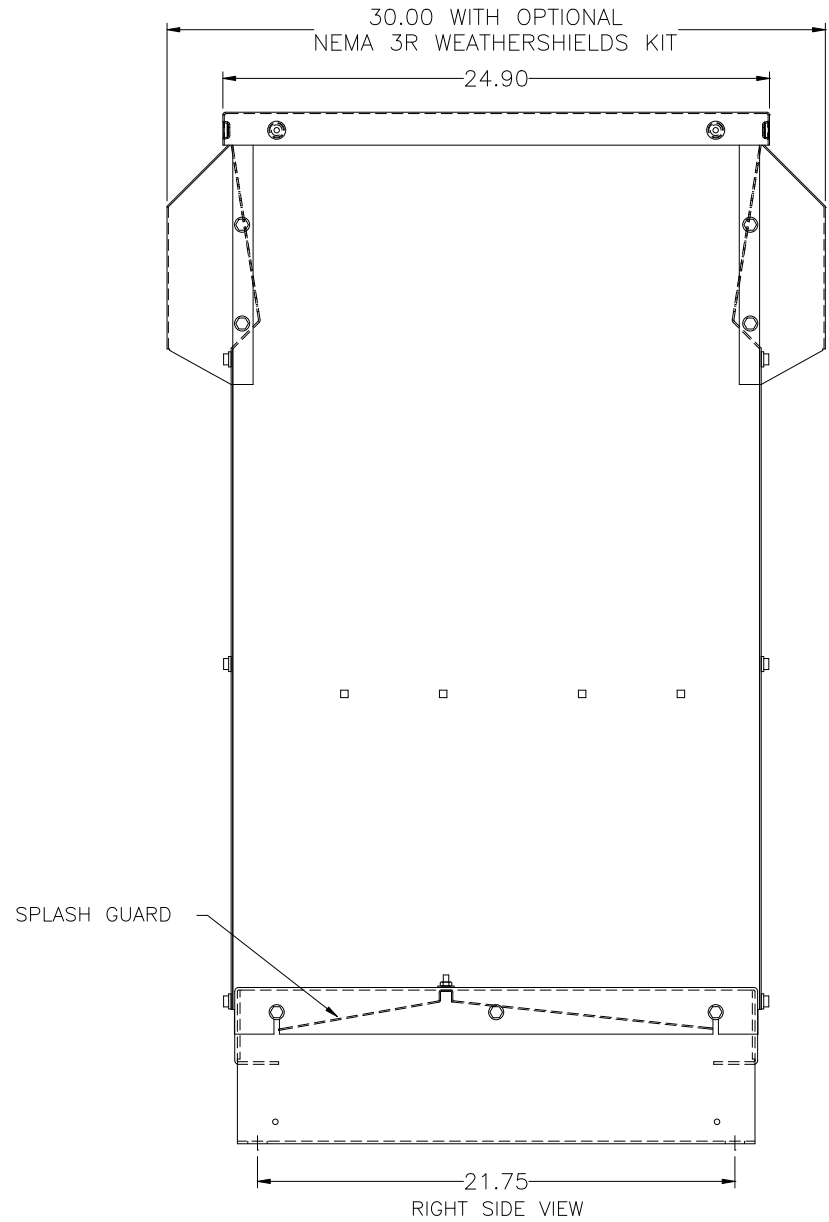
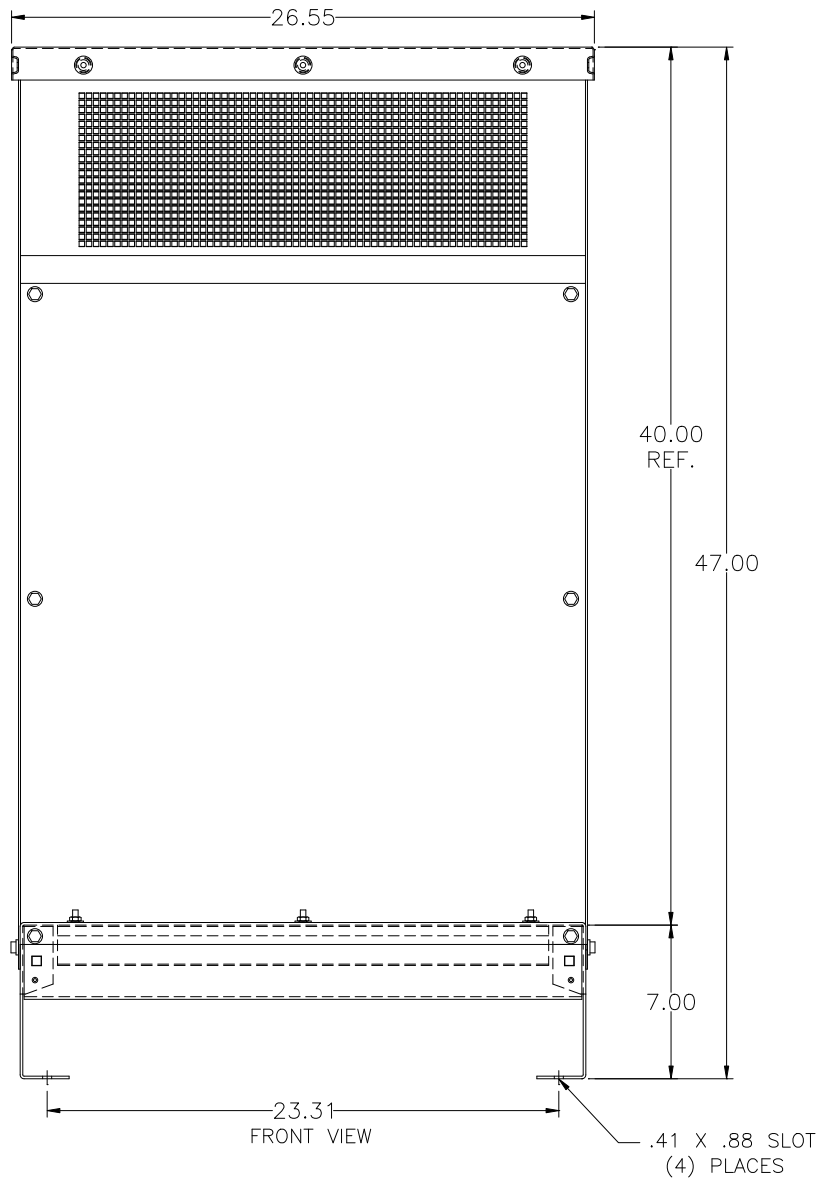


FILE: J:\CUST\MATRIX\CD CAB-26C

NO.	CHANGE DESCRIPTION	BY	DATE	C'K'D
-----	--------------------	----	------	-------



UNLESS OTHERWISE SPECIFIED, DIMENSIONS ARE IN INCHES [mm] AND TOLERANCES ARE:

DECI.  $\pm 0.030$  [.76]    FRAC.  $\pm 1/8"$  [3.18]

ANGLES  $\pm 1^\circ$     DRILLED HOLES  $\pm 0.010$  [.25]

PART NAME:	CAB-26C
DESCRIPTION:	OUTLINE DIMENSION
FINISH:	GRAY POLYSTER POWDER PAINT (ANSI 61)

MTE CORPORATION  
MENOMONEE FALLS, WISCONSIN

CD CAB-26C

REV.  
00

SCALE	NTS	DATE	02/16/04	C'K'D
REF.		DR. BY	BF	APP'D