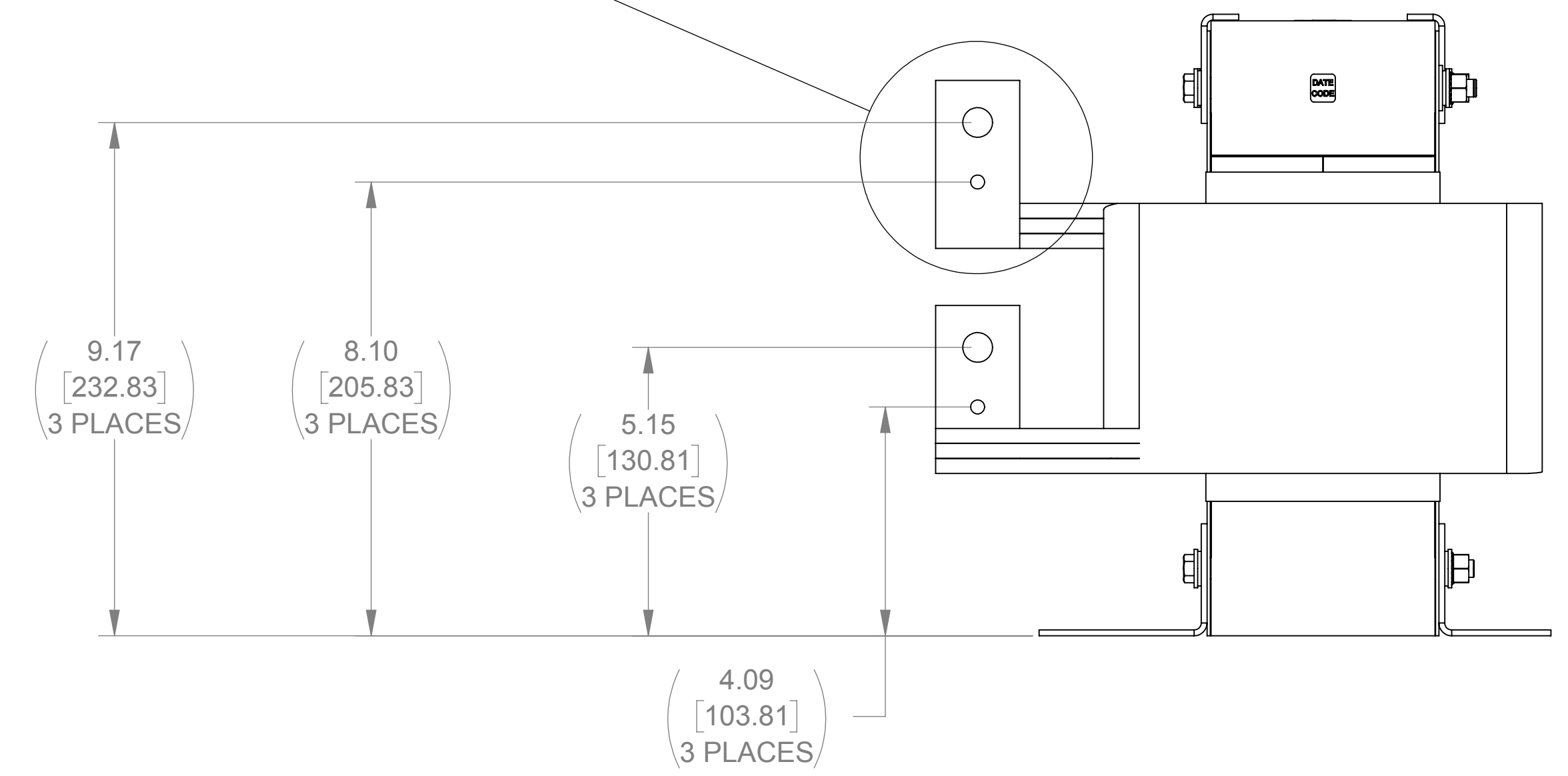
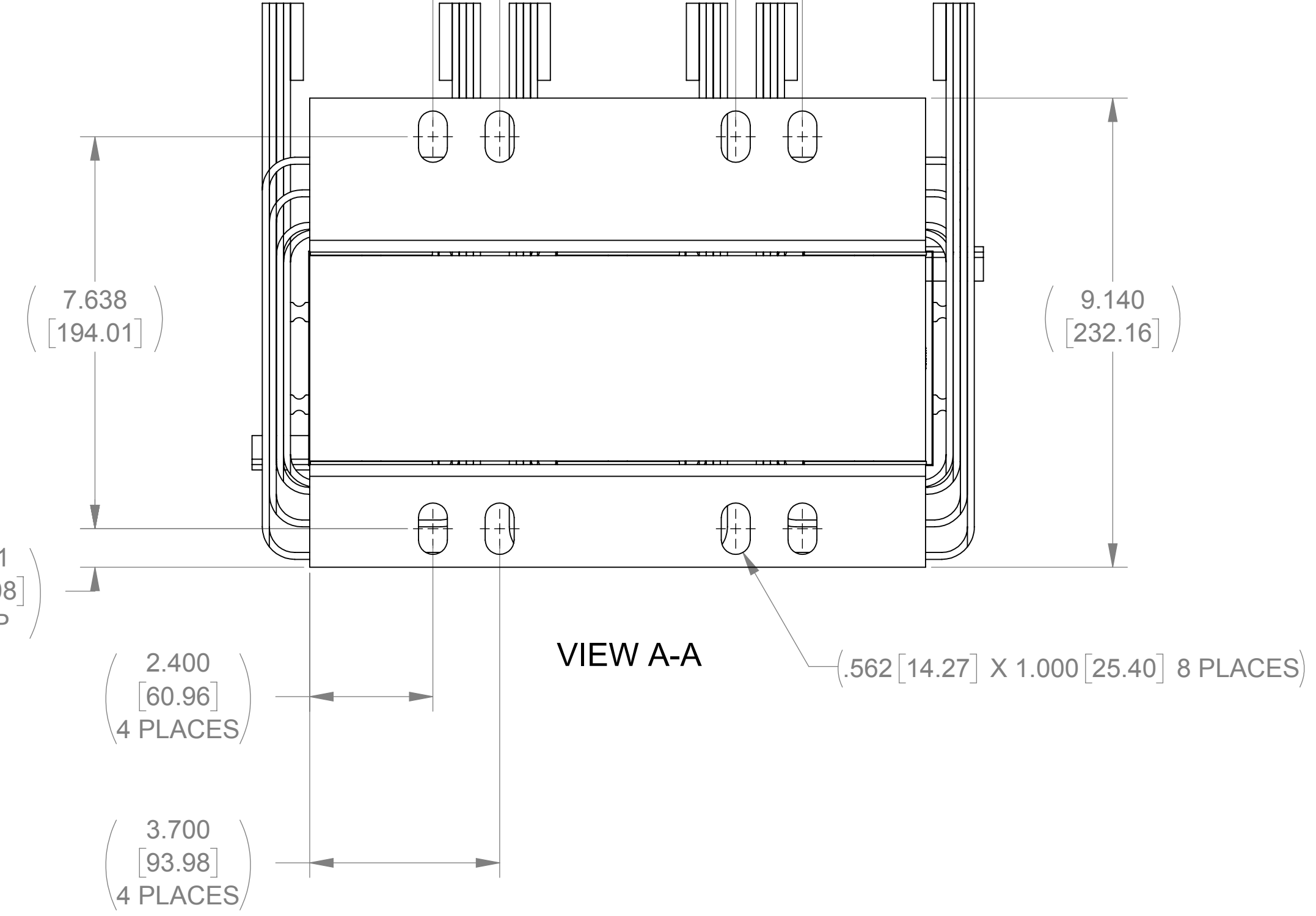
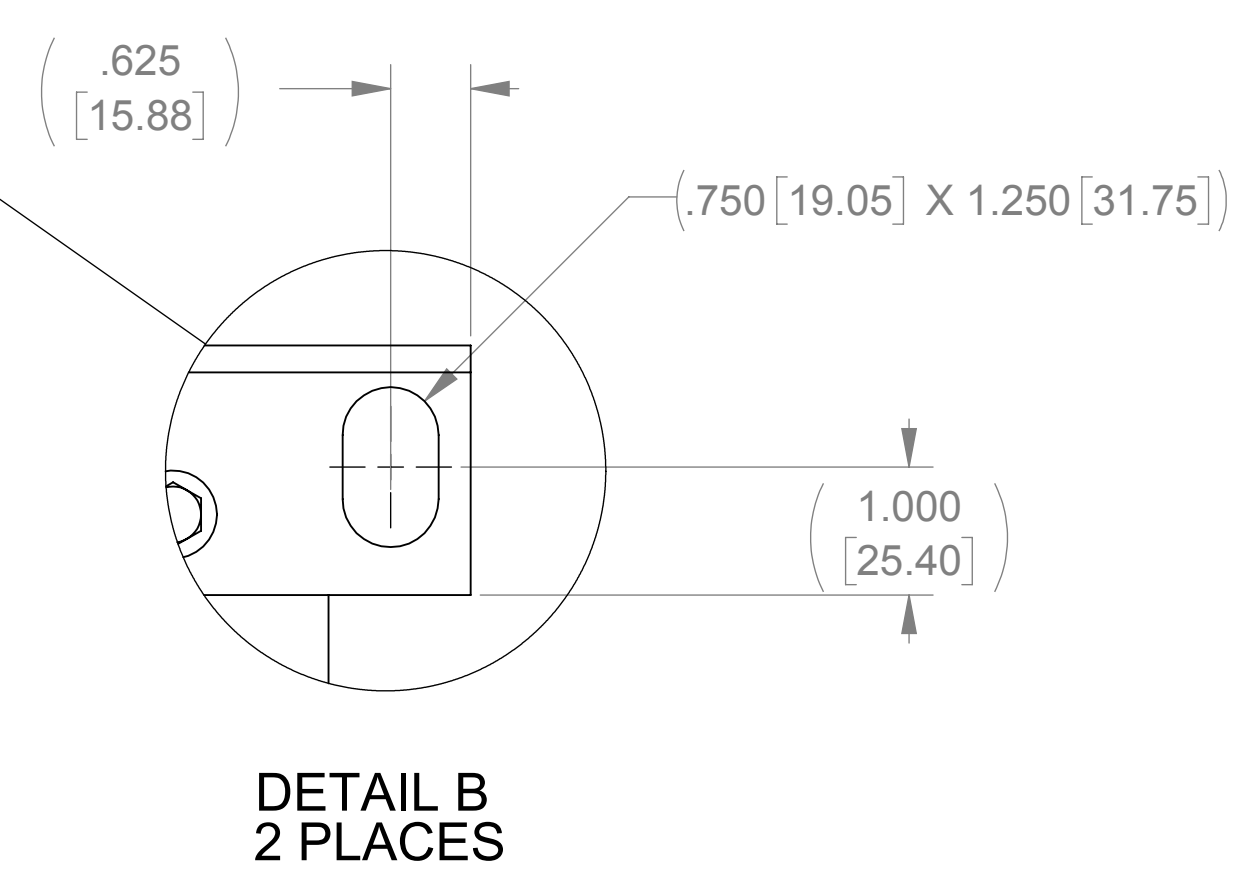
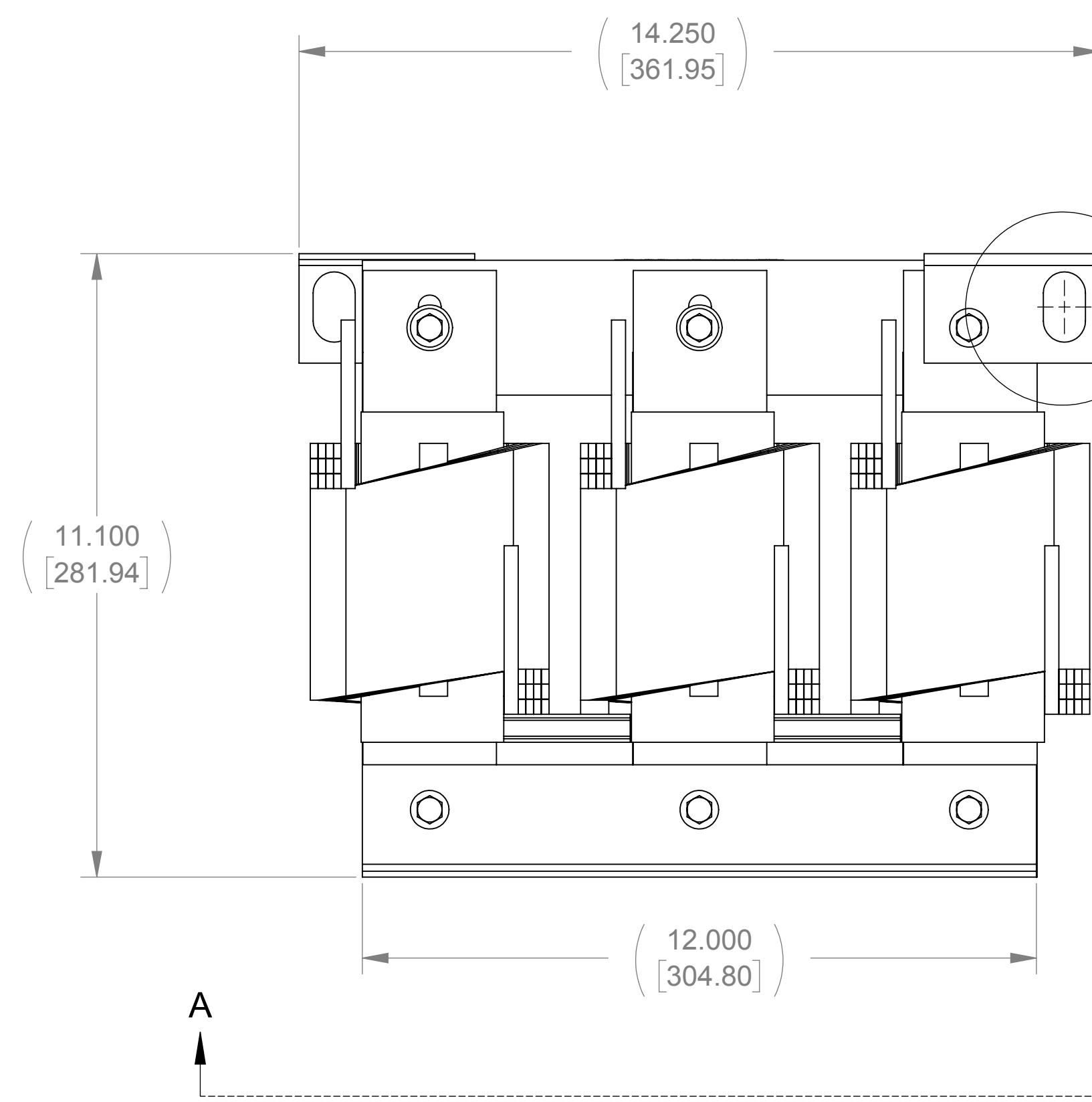
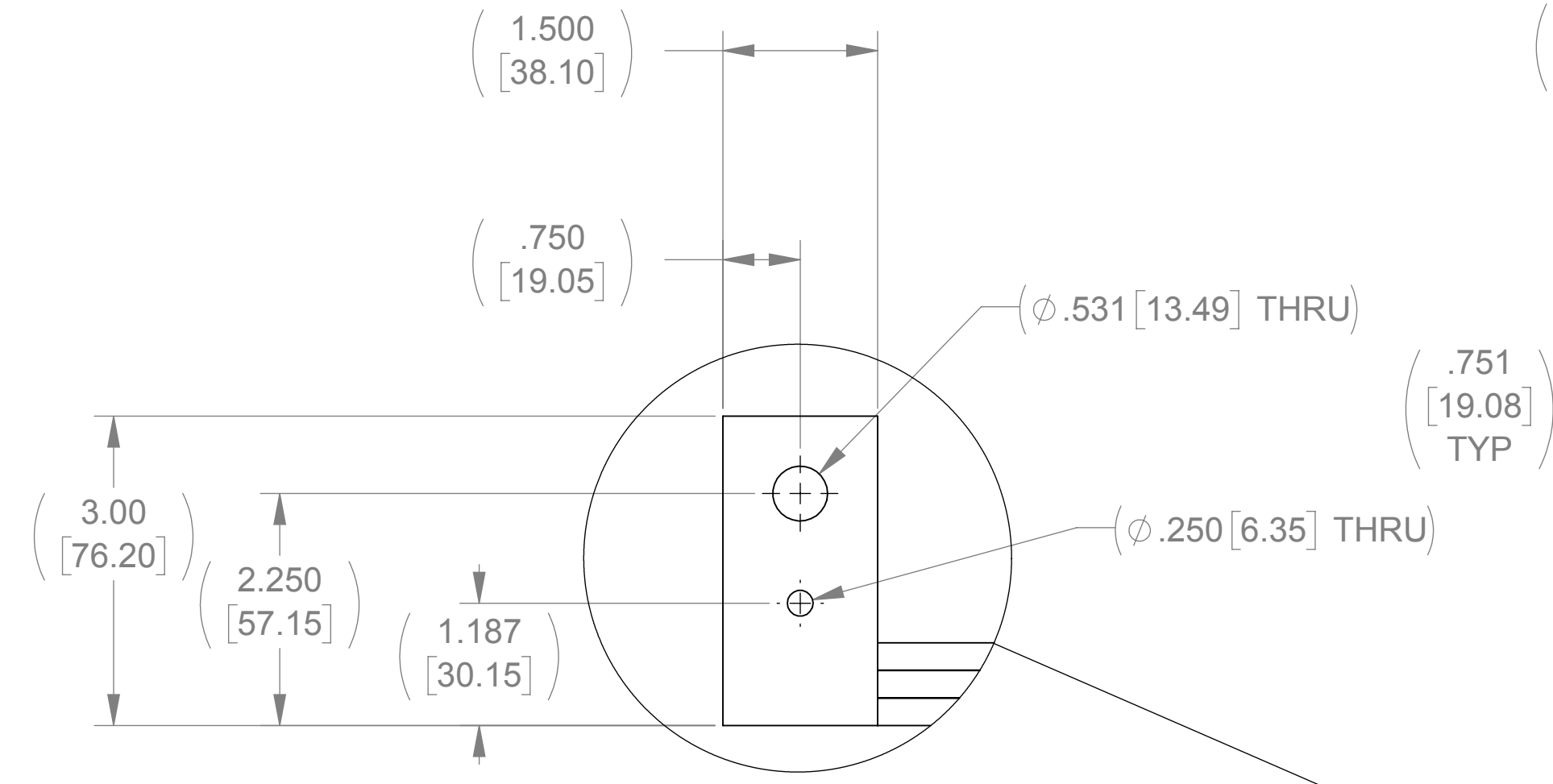
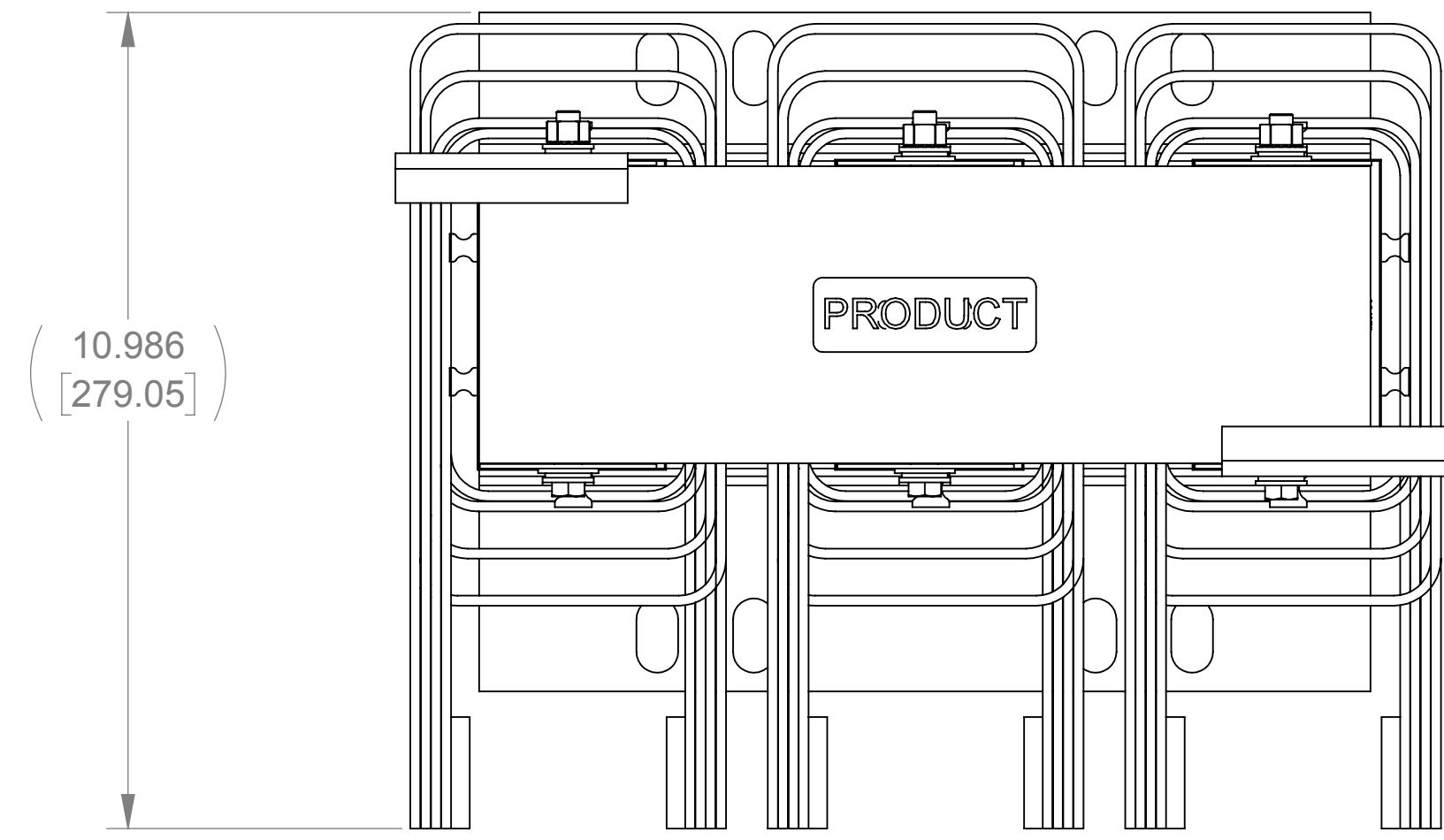


WEIGHT (LBS)	INDUCTANCE	LOSS (WATTS)
175	0.040 mH	689

ECO No	DESCRIPTION	REV BY	DATE
M9234	UPDATED COIL MODEL	KV	07/28/14



THE COMPONENT, PART OR ASSEMBLY DESCRIBED IN THIS DOCUMENT MUST COMPLY WITH THE EU (EUROPEAN UNION) DIRECTIVE RoHS CONTAINS <math>< 0.1\%</math> OF ANY SVHC BY WEIGHT PER REACH REGULATION		MATERIAL DRAWN ER 9/16/05 CHECKED RH 07/28/14 APPROVED RH 07/28/14	CONFIDENTIAL AND PROPRIETARY INFORMATION THIS DOCUMENT CONTAINS CONFIDENTIAL AND PROPRIETARY INFORMATION OF MTE CORPORATION AND MAY NOT BE USED, COPIED OR DISCLOSED TO OTHERS EXCEPT WITH THE AUTHORIZED WRITTEN PERMISSION OF MTE CORPORATION	
UNLESS OTHERWISE SPECIFIED DIMENSIONS ARE IN INCHES [MM] TOLERANCES ARE: ANGLES: $\pm 1^\circ$ 1 PLACE .X: $\pm .1 [2.5]$ 2 PLACE .XX: $\pm .03 [0.76]$ 3 PLACE .XXX: $\pm .010 [0.254]$			DESCRIPTION LINE/LOAD REACTOR	
 N83 W13330 Leon Road Menomonee Falls, WI 53051 USA 800.455.4683 262.253.8200		SIZE D SCALE 1:2	DWG No. CD RL-60002 REV 20	SHEET 1 OF 1