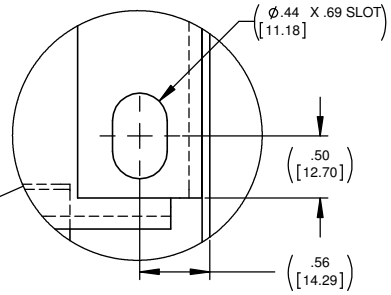
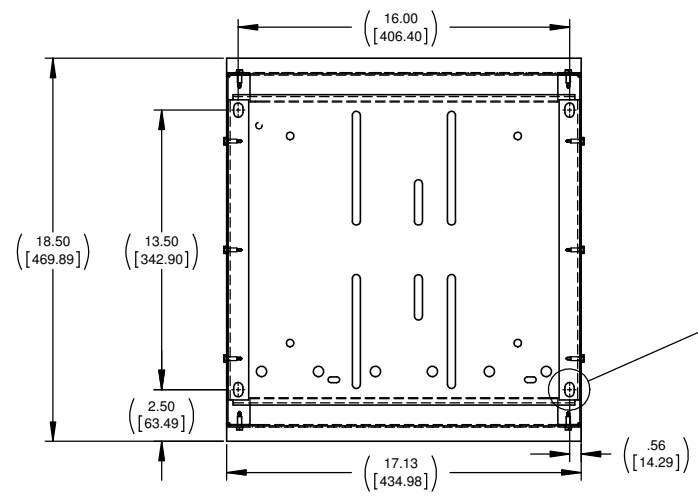
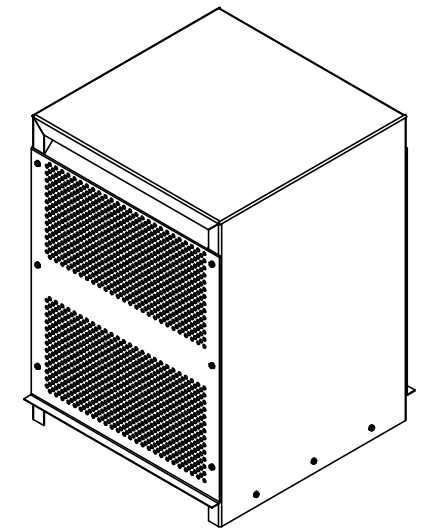
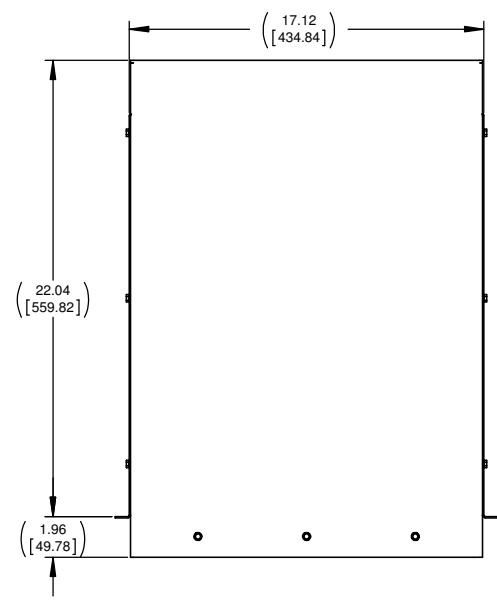
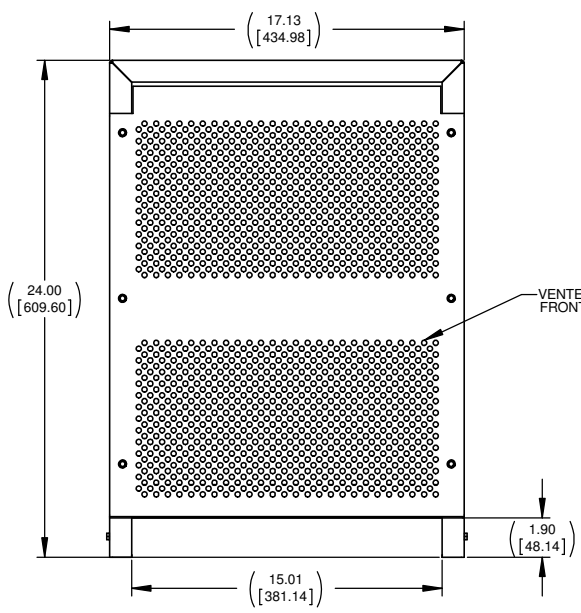


ECO NO.	DESCRIPTION	REV BY	DATE
M9231	REMOVED LABELS FROM DRAWING	JT	07/24/14



THE COMPONENT PART OR ASSEMBLY DESCRIBED IN THIS DOCUMENT MUST COMPLY WITH THE EU (EUROPEAN UNION) DIRECTIVE ROHS2
CONTAINS <= 0.1% OF ANY SVHC BY WEIGHT PER REACH REGULATION

UNLESS OTHERWISE SPECIFIED DIMENSIONS ARE IN INCHES (MM) TOLERANCES ARE:
 ANGLES: ± 1 °
 1 PLACE .X: ± .1 [2.5]
 2 PLACE .XX: ± .03 [0.76]
 3 PLACE .XXX: ± .010 [0.254]



MATERIAL	
DRAWN	DATE
BF	12/28/04
CHECKED	DATE
RH	07/24/14
APPROVED	DATE
RH	07/24/14

CONFIDENTIAL AND PROPRIETARY INFORMATION
THIS DOCUMENT CONTAINS CONFIDENTIAL AND PROPRIETARY INFORMATION OF MTE CORPORATION AND MAY NOT BE USED, COPIED OR DISCLOSED TO OTHERS EXCEPT WITH THE AUTHORIZED WRITTEN PERMISSION OF MTE CORPORATION

DESCRIPTION	
ENCLOSURE	
SIZE	DWG No.
D	CD CAB-17V
SCALE	REV
1:4	04
SHEET 1 OF 1	