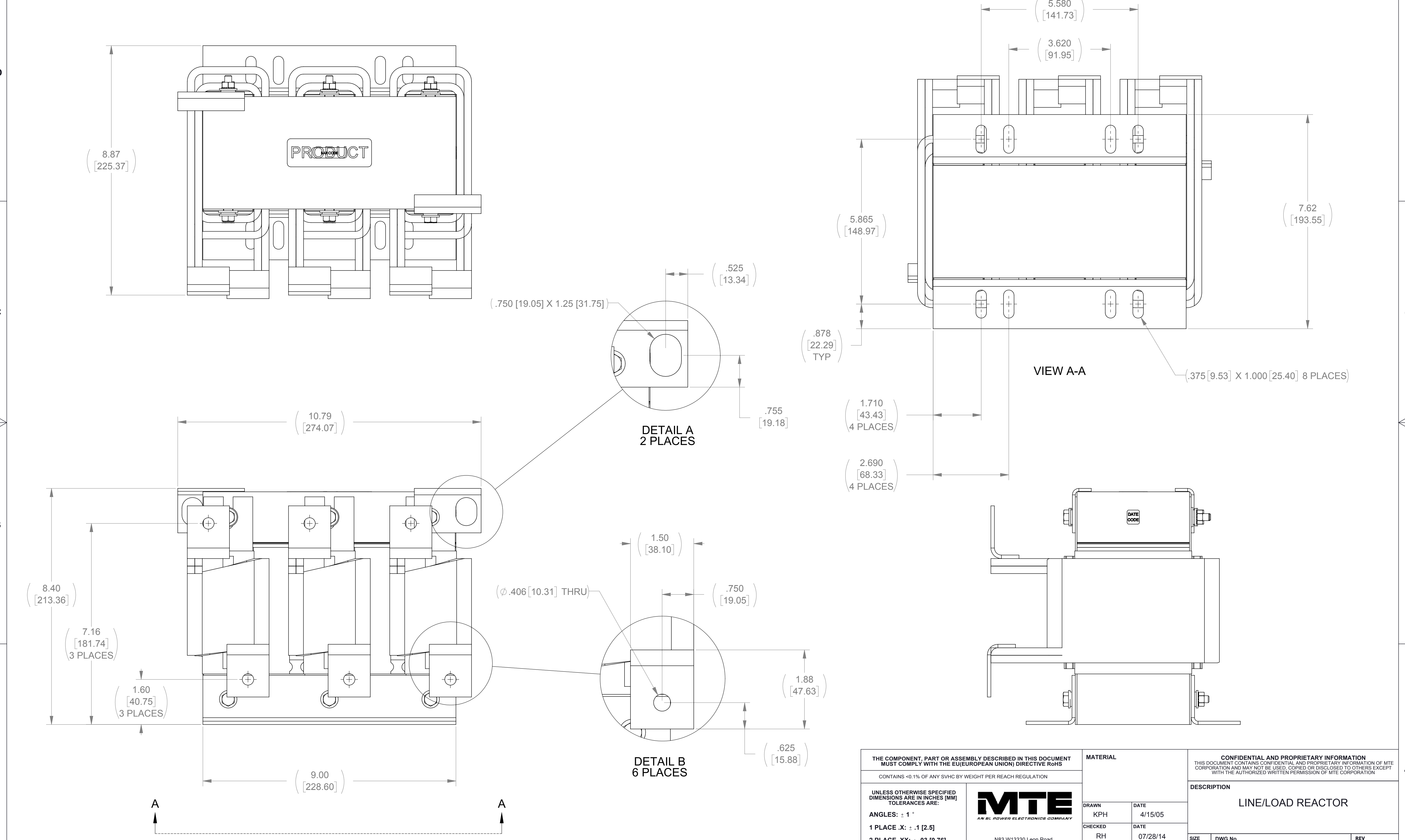


WEIGHT (LBS)	INDUCTANCE	LOSS (WATTS)
102	0.075 mH	264

ECO No	DESCRIPTION	REV BY	DATE
M9234	UPDATED COIL MODEL	KV	07/28/14



<p>THE COMPONENT, PART OR ASSEMBLY DESCRIBED IN THIS DOCUMENT MUST COMPLY WITH THE EU (EUROPEAN UNION) DIRECTIVE RoHS</p> <p>CONTAINS &lt;0.1% OF ANY SVHC BY WEIGHT PER REACH REGULATION</p>		<p><b>MATERIAL</b></p>	<p><b>CONFIDENTIAL AND PROPRIETARY INFORMATION</b> THIS DOCUMENT CONTAINS CONFIDENTIAL AND PROPRIETARY INFORMATION OF MTE CORPORATION AND MAY NOT BE USED, COPIED OR DISCLOSED TO OTHERS EXCEPT WITH THE AUTHORIZED WRITTEN PERMISSION OF MTE CORPORATION</p>	
<p>UNLESS OTHERWISE SPECIFIED DIMENSIONS ARE IN INCHES [MM] TOLERANCES ARE:</p> <p>ANGLES: <math>\pm 1^\circ</math></p> <p>1 PLACE .X: <math>\pm .1 [2.5]</math></p> <p>2 PLACE .XX: <math>\pm .03 [0.76]</math></p> <p>3 PLACE .XXX: <math>\pm .010 [0.254]</math></p>			<p>DRAWN KPH</p> <p>CHECKED RH</p> <p>APPROVED RH</p>	<p>DATE 4/15/05</p> <p>DATE 07/28/14</p> <p>DATE 07/28/14</p>
<p>MTE AN BL POWER ELECTRONICS COMPANY</p> <p>N83 W13330 Leon Road Menomonee Falls, WI 53051 USA 800.455.4683 262.253.8200</p>		<p>DATE 07/28/14</p>	<p>SIZE D</p> <p>SCALE 1:2</p>	<p>DWG No. CD RL-32002B14</p> <p>REV 07</p> <p>SHEET 1 OF 1</p>