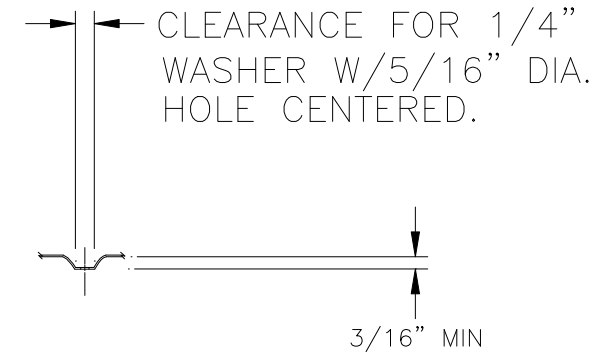
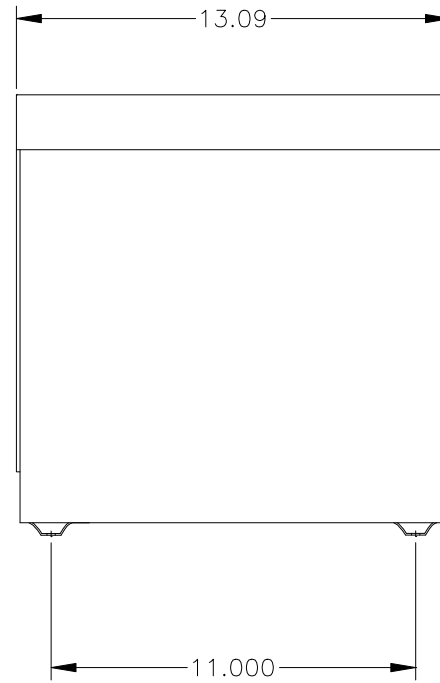
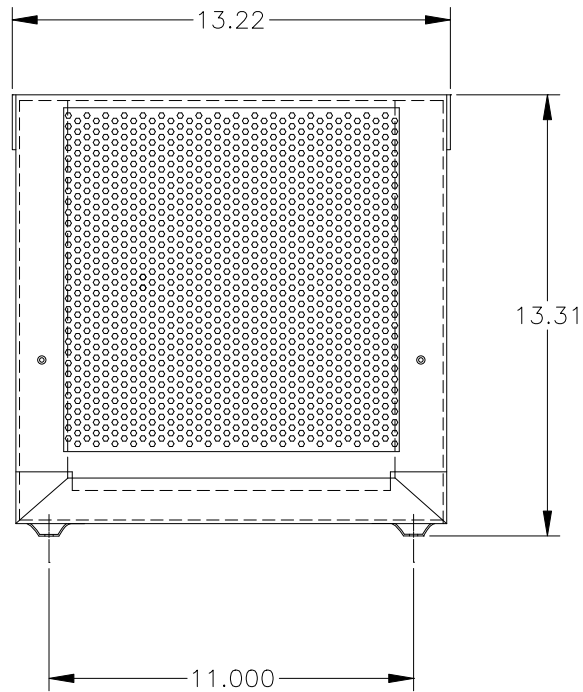


NO.	CHANGE DESCRIPTION	BY	DATE	C'K'D
-----	--------------------	----	------	-------



UNLESS OTHERWISE SPECIFIED, DIMENSIONS ARE IN INCHES [mm] AND TOLERANCES ARE:

DECI.	FRAC.
ANGLES	DRILLED HOLES

PART NAME:	CAB-13V
DESCRIPTION:	OUTLINE DIMENSION
FINISH:	GRAY PO;YESTER POWDER PAINT (ANSI 61)

MTE CORPORATION  
MENOMONEE FALLS, WISCONSIN

CAB-13V			REV. 00
SCALE	NTS	DATE	01/14/05
REF.	DR. BY	KFL	C'K'D APP'D