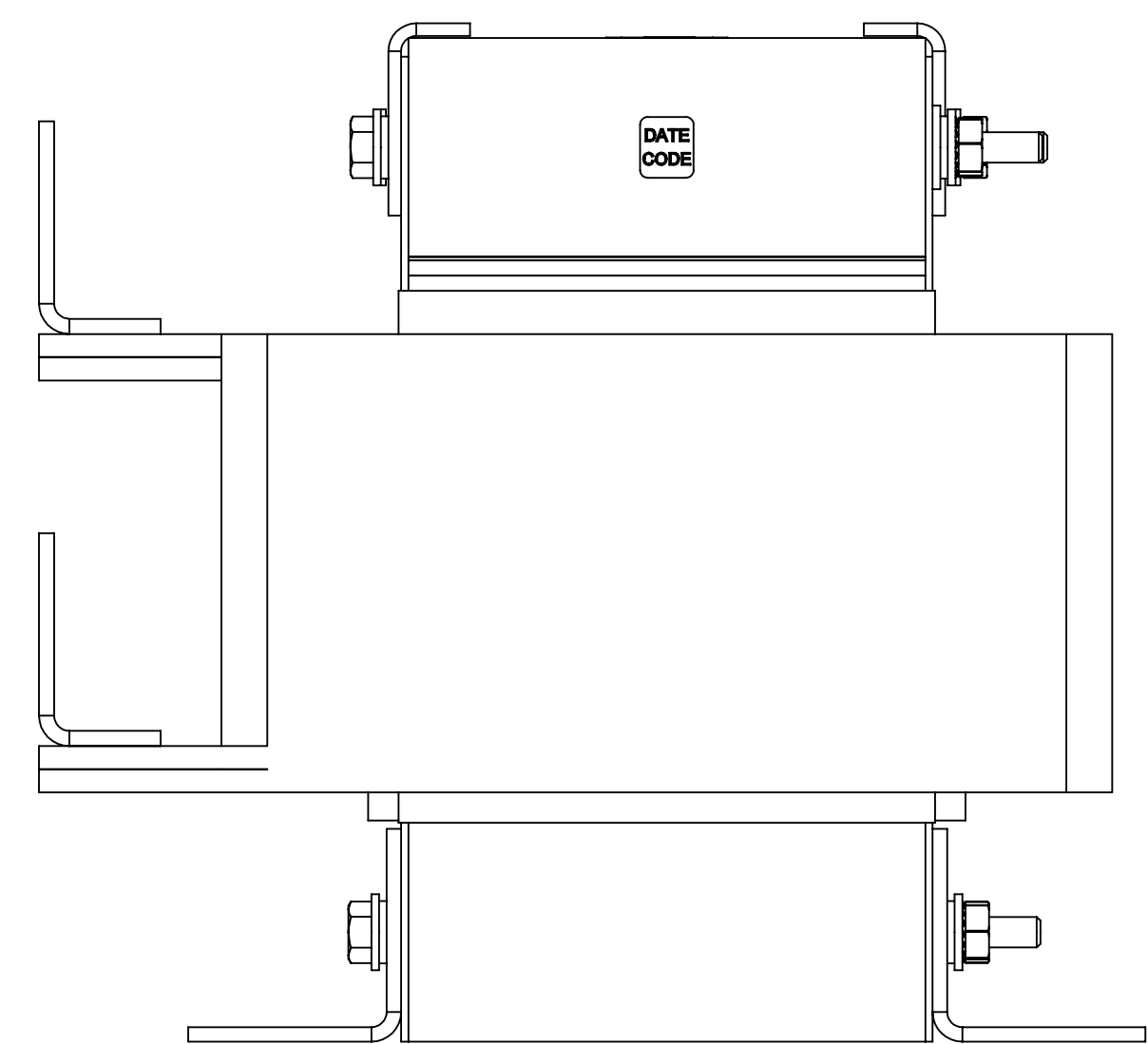
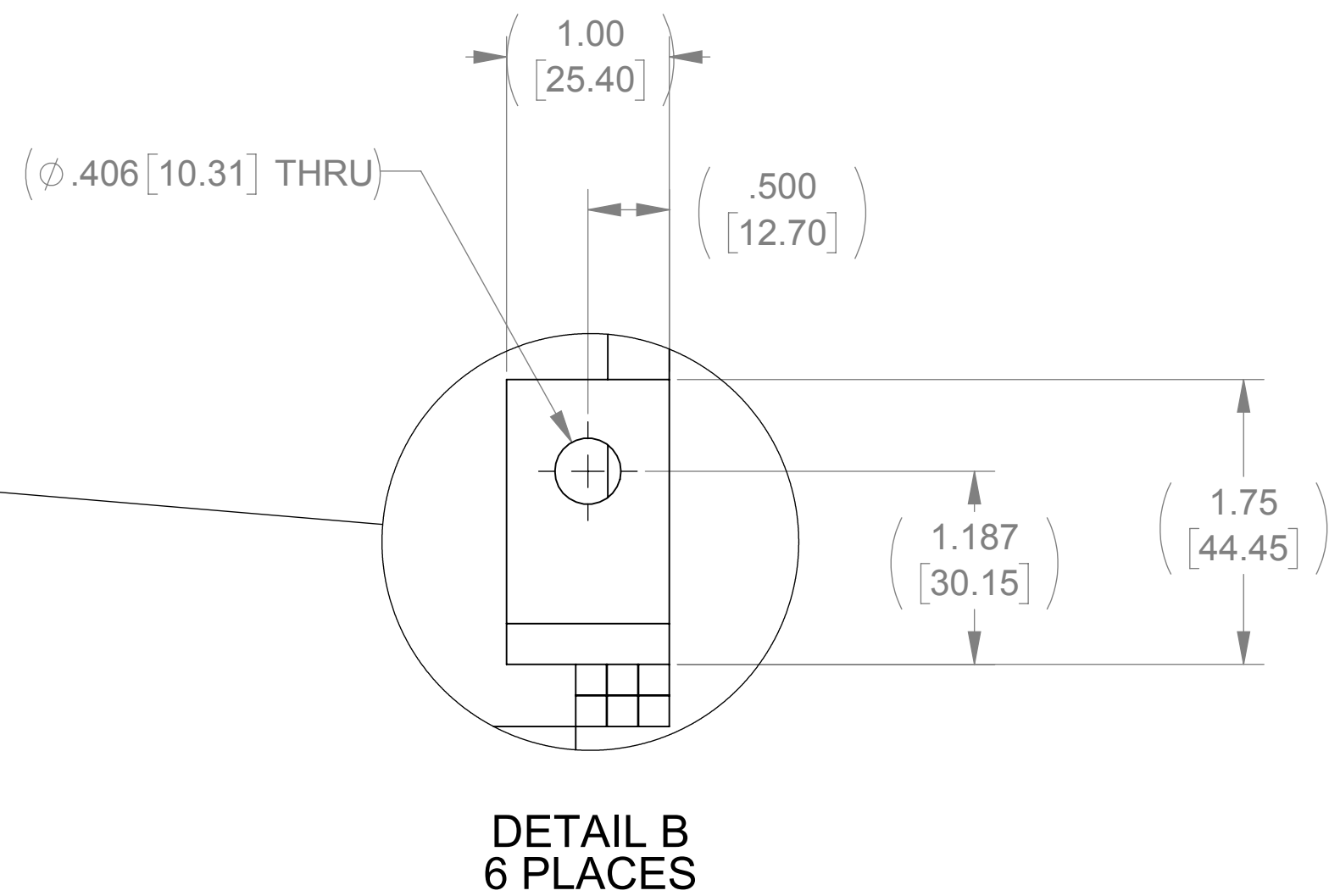
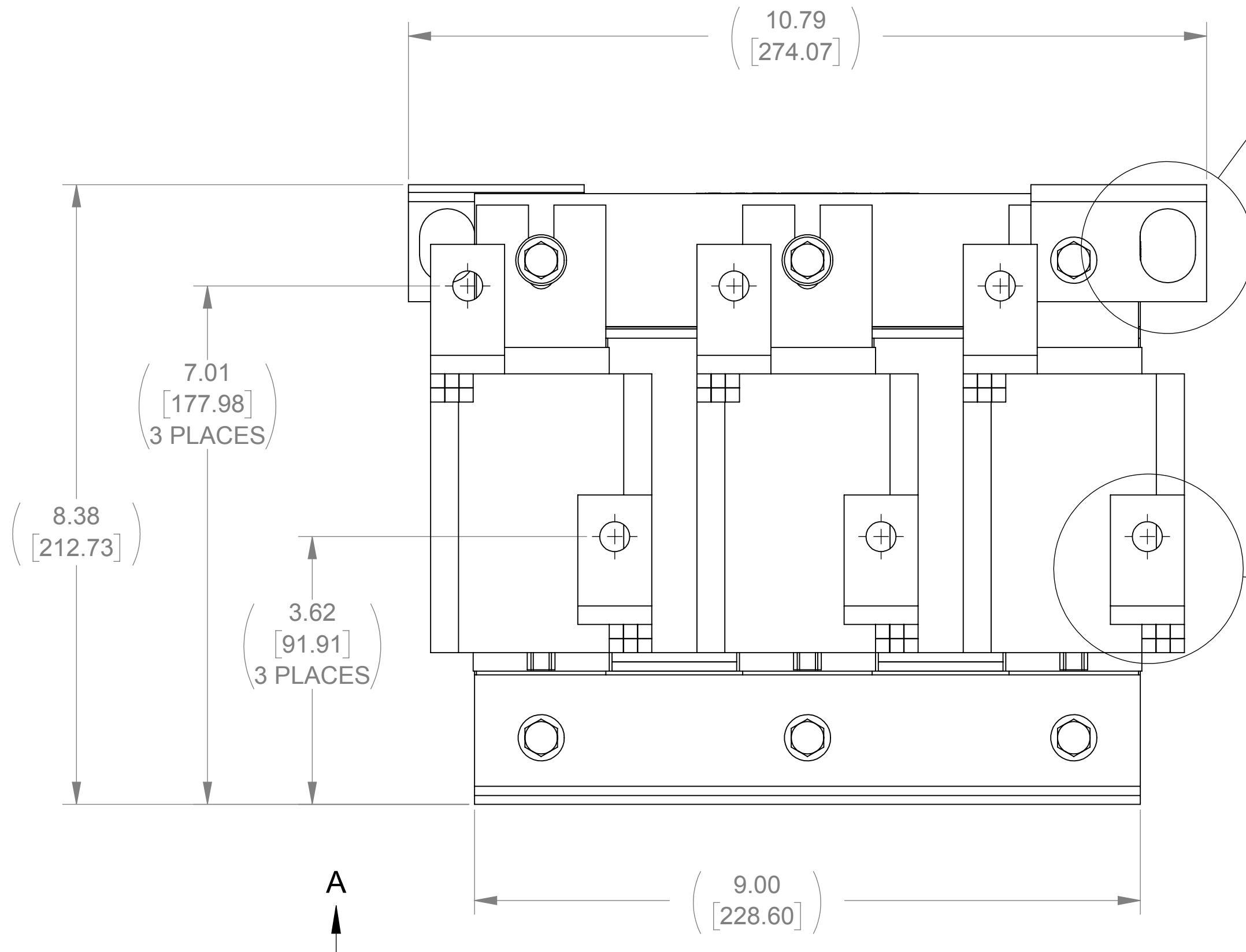
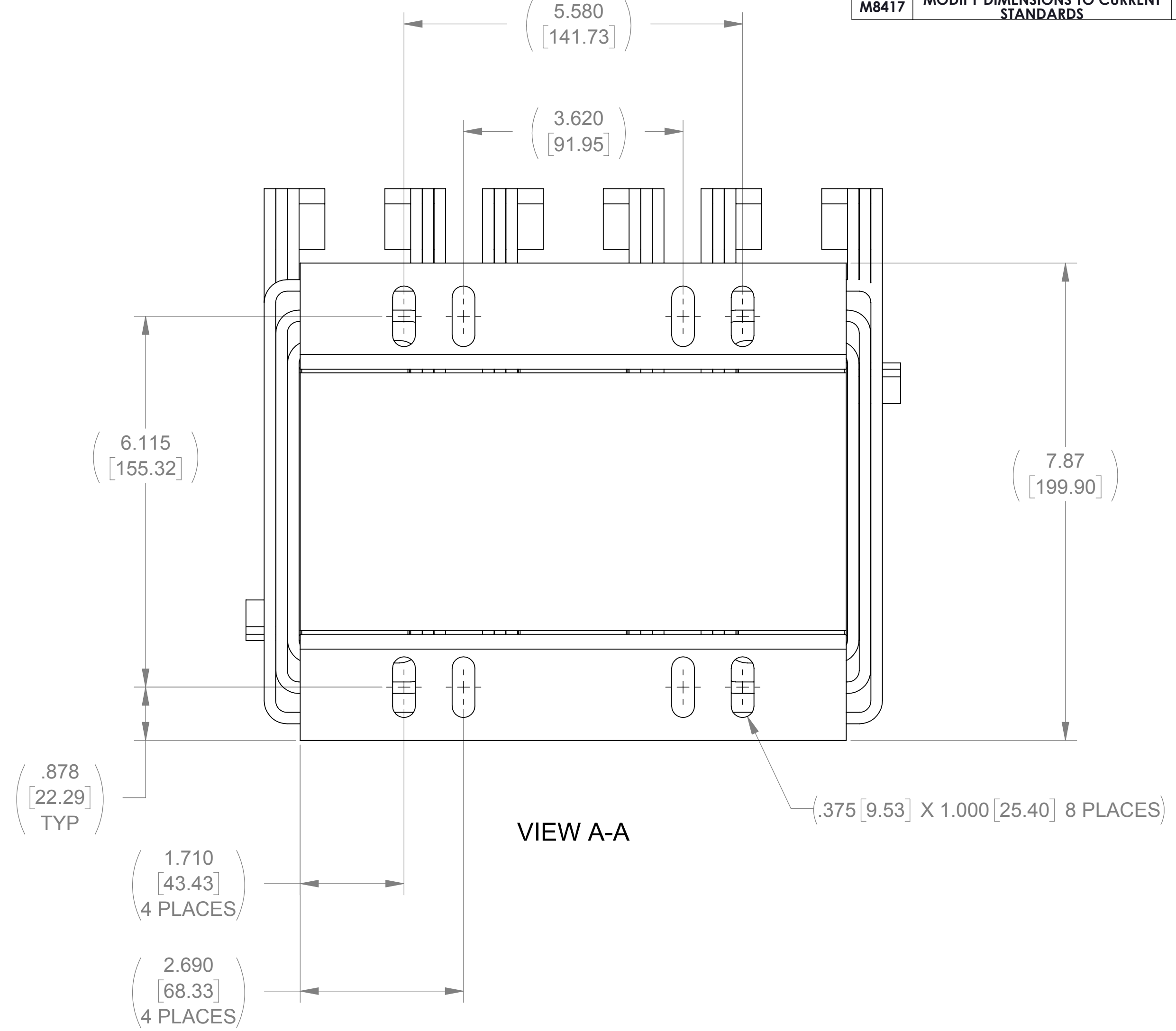
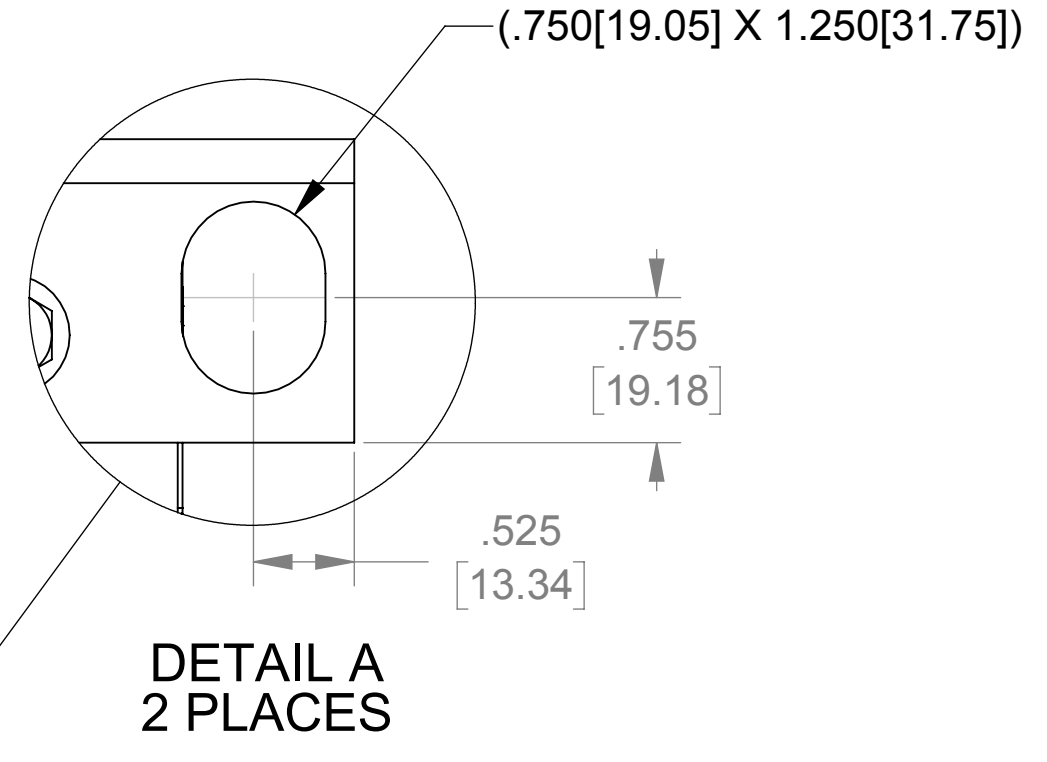
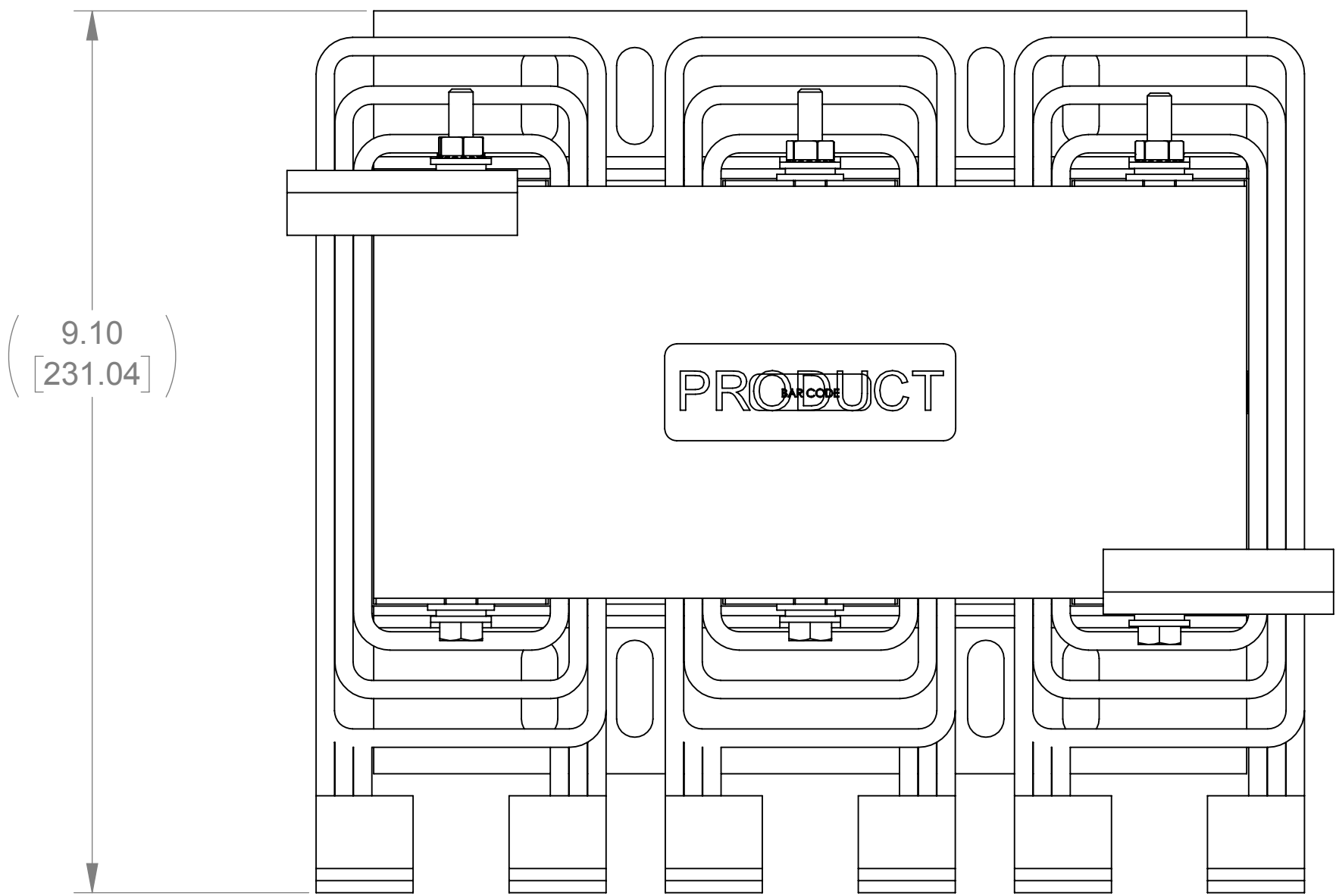


WEIGHT (LBS)	INDUCTANCE	LOSS (WATTS)
100	0.185 mH	146

ECO No	DESCRIPTION	REV BY	DATE
M8417	MODIFY DIMENSIONS TO CURRENT STANDARDS	SU	02/27/13



<p>THE COMPONENT, PART OR ASSEMBLY DESCRIBED IN THIS DOCUMENT MUST COMPLY WITH THE EU (EUROPEAN UNION) DIRECTIVE RoHS</p> <p>CONTAINS &lt;0.1% OF ANY SVHC BY WEIGHT PER REACH REGULATION</p> <p>UNLESS OTHERWISE SPECIFIED DIMENSIONS ARE IN INCHES [MM] TOLERANCES ARE:</p> <p>ANGLES: ± 1°</p> <p>1 PLACE .X: ± .1 [2.5]</p> <p>2 PLACE .XX: ± .03 [0.76]</p> <p>3 PLACE .XXX: ± .010 [0.254]</p>		<p>MATERIAL</p> <p>DRAWN AK DATE 9/30/05</p> <p>CHECKED TM DATE 03/21/13</p> <p>APPROVED TM DATE 03/21/13</p>		<p>CONFIDENTIAL AND PROPRIETARY INFORMATION</p> <p>THIS DOCUMENT CONTAINS CONFIDENTIAL AND PROPRIETARY INFORMATION OF MTE CORPORATION AND MAY NOT BE USED, COPIED OR DISCLOSED TO OTHERS EXCEPT WITH THE AUTHORIZED WRITTEN PERMISSION OF MTE CORPORATION</p> <p>DESCRIPTION</p> <p>LINE/LOAD REACTOR</p>	
<p>AN BL POWER ELECTRONICS COMPANY</p> <p>N83 W13330 Leon Road Menomonee Falls, WI 53051 USA 800.455.4683 262.253.8200</p>		<p>SIZE D DWG No CD RL-20003B14 REV 08</p> <p>SCALE 1:2 SHEET 1 OF 1</p>			