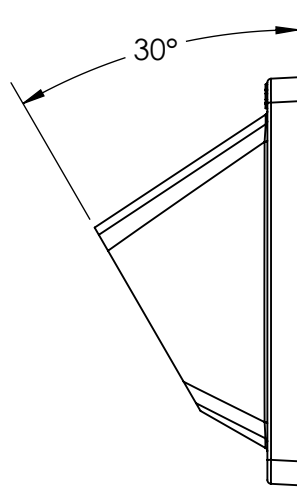
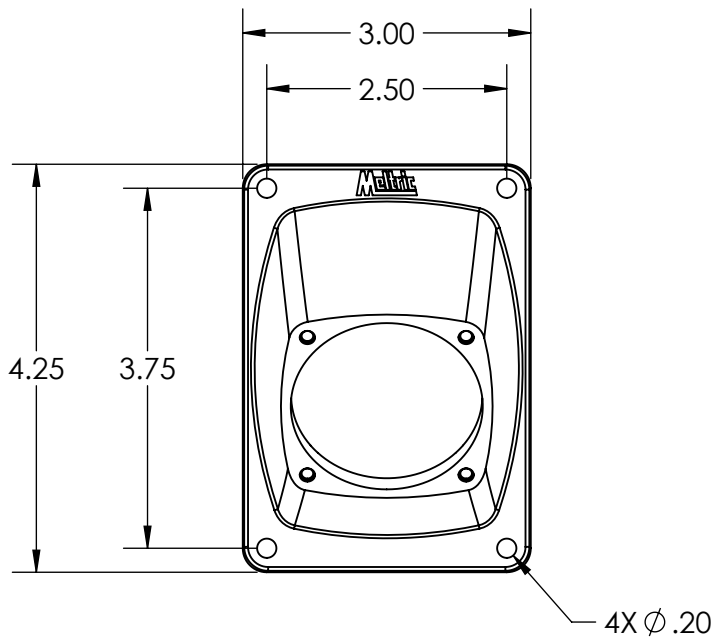
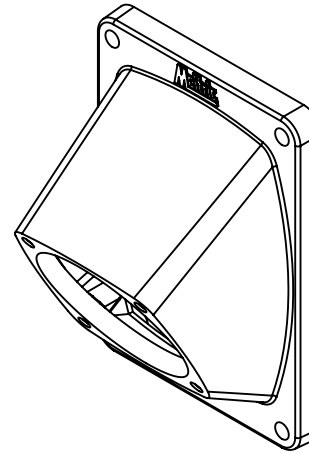
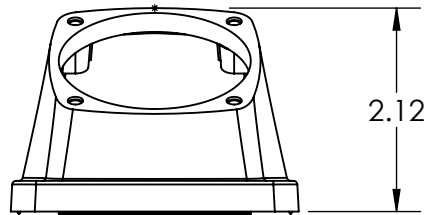
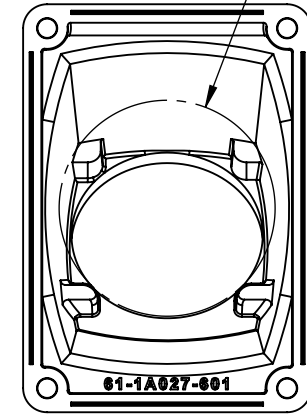
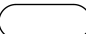


This drawing is the property of MELTRIC Corporation, Franklin (Milwaukee), Wisconsin, USA. Any unauthorized copying of this drawing by any means, or disclosure of its contents to any person not authorized by MELTRIC Corporation or its agents to receive it, is strictly prohibited.



(Ø2.25 PANEL KNOCKOUT HOLE)



TOLERANCES UNLESS OTHERWISE SPECIFIED		MELTRIC CORPORATION	
MACHINED SURFACES $\sqrt[125]{\text{MAX}}$	ENGLISH	DRAWN	APPROVED
GROUND SURFACES $\sqrt[32]{\text{MAX}}$		DRAWING TITLE:	
ANGLE TOLERANCE $\pm 1^\circ$	<b>0.X ±0.05</b> <b>0.XX ±0.01</b> <b>0.XXX ±0.005</b>	DATE:	SCALE
REMOVE BURRS & SHARP EDGES TO .015 MAX.		NTS	MATERIAL:
 DIMENSIONS SHOWN IN OVALS ARE INSPECTION DIMENSIONS.		SHEET:	PART NUMBER
		1 OF 1	61-1A027-601
			REVISION