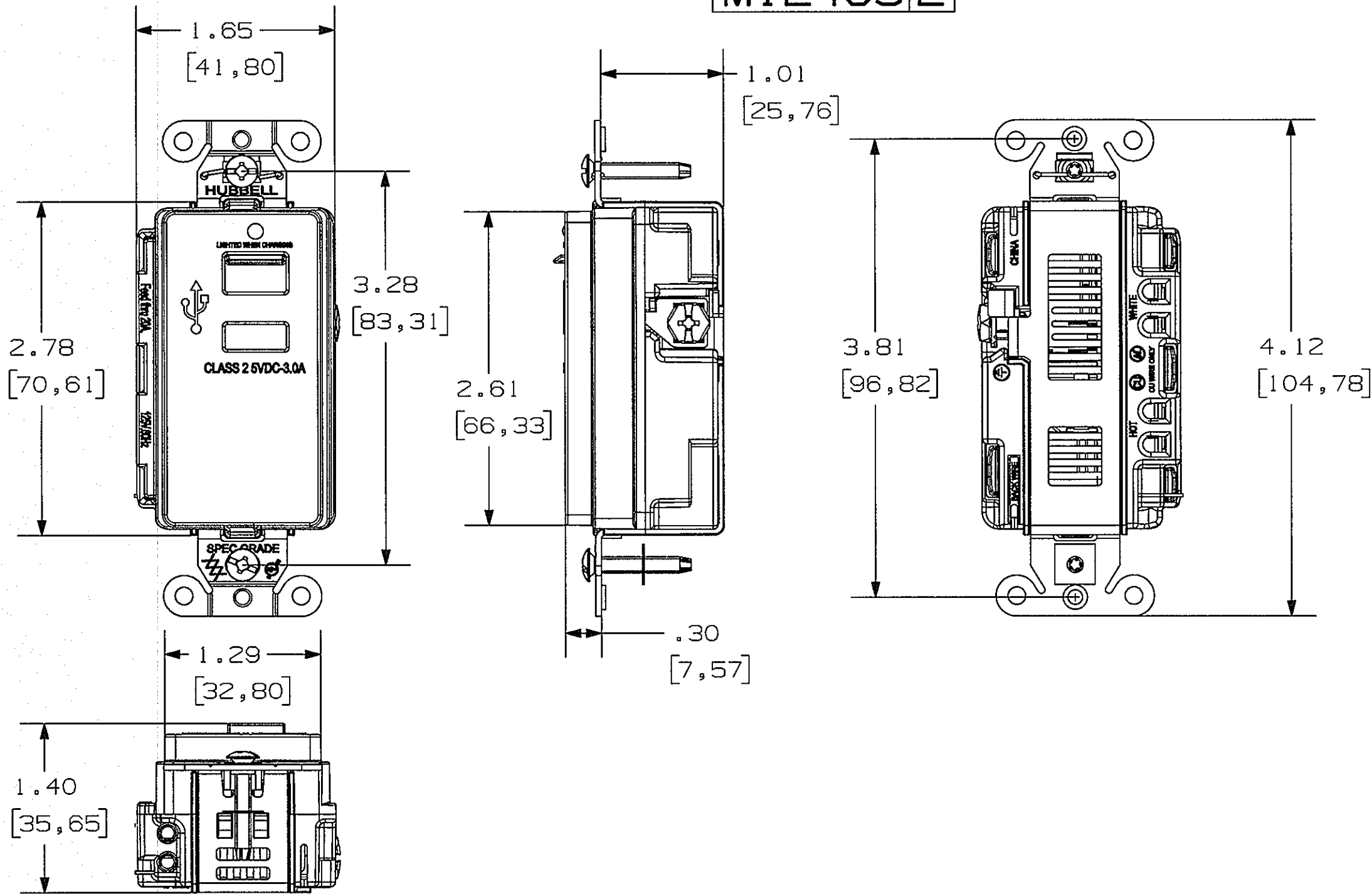


M124652



NOTES:
 1. INPUT: 125 VAC 20A FEED THRU CAPABLE.
 OUTPUT: 5 VDC 3A.
 2. ALL DIMENSIONS ARE IN INCHES [mm].

CODE 74545

CAT.#	DESCRIPTION	COLOR
USB2	USB CHARGER 2 PORT 3 AMP 5 VDC	BROWN
USB2I		IVORY
USB2W		WHITE
USB2LA		LIGHT ALMOND
USB2OW		OFFICE WHITE
USB2BK		BLACK
USB2R		RED
USB2GY		GRAY

LIST OF PARTS		
DESCRIPTION	MATERIAL	FINISH
COVER	THERMOPLASTIC	COLOR PER CAT.#
BASE	THERMOPLASTIC	BLACK
SLIDE DOOR	THERMOPLASTIC	COLOR PER CAT.#
TERMINAL	BRASS	
STRAP	GALV. STEEL	
CLIP	STAINLESS ST.	
PVC WASHER	THERMOPLASTIC	
MOUNTING SCREW	STEEL	ZINC PLATE
GR. SCREW	STEEL	ZINC PLATE + GREEN

SYMBOL	REVISIONS	APP	DATE
2	UPDATE THE PRINT PER DCN #20783	DL	09/15/14
1	NEW RELEASE PER DCN #20286	DL	01/24/14

THE DESIGN AND DIMENSIONS OF THE PRODUCT SHOWN ON THIS DRAWING ARE SUBJECT TO CHANGE WITHOUT NOTICE

TITLE	
USB CHARGER 2 PORT 3A 5 VDC	
TOLERANCES UNLESS OTHERWISE SPECIFIED	WIRING DEVICE-KELLEMS HUBBELL INCORPORATED SHELTON, CT
.XX = ±.01 .XXX = ±.005 ANGLES = ±2°	DR. BY N.H TR. BY DL CHK. BY C.Z
	APP. BY SCALE 1:1 DATE 11/11/13

DIMENSION SHEET FOR CAT. NO. SEE TABLE REPAIRABLE NON-REPAIRABLE B M124652