

# USB Charger Outlets

# HUBBELL

## Features

- Compact depth for use in raceway, delivery systems and where space is limited
- 2 stainless steel ports rated for 10,000 insertions and removals
- Switch activated port door; when open enables power; when closed, all power is switched off, for a “zero” no-load draw
- Bidirectional clamp wiring allows horizontal or back entry of solid or stranded wire
- Compatible with USB 1.1/2.0/3.0 devices, including Apple® products

## Ordering Information

Description	Device Color	UPC	Catalog Number
USB charger 2 port outlet, type A 2.0 ports, 3 Amp, 5 Volt DC, Style Line® decorator	Brown	883778305191	USB2

## Listings

cULus to UL 1310

## Specifications

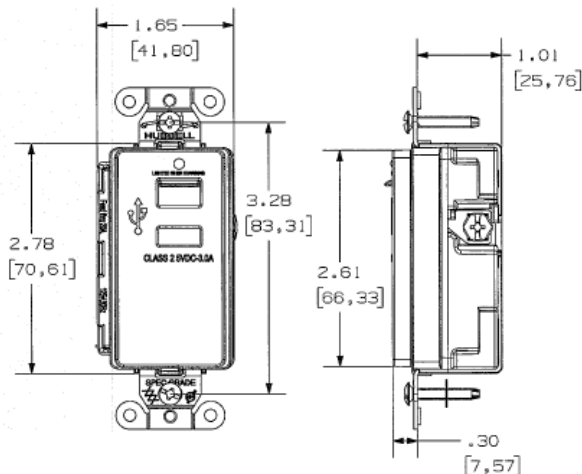
Face	Thermoplastic
Base	Reinforced Thermoplastic
LED	Green Indicator
Mounting Strap	Galvanized steel
Auto Self-grounding staple	Stainless steel
Mounting Screws	Zinc plated steel
Terminal Screws	Plated Steel #8
USB Port	Stainless Steel

## Performance

<b>Electrical</b>	
Dielectric Voltage	Withstands 1,500V minimum
Feed-Through	Circuit feed-through 20 Amp, 125 Volt
Rating	3A, 5V DC

<b>Mechanical</b>	
Product Identification	Ratings are a permanent part of the device
Terminal Accommodation	#14-#10 AWG copper stranded or solid conductor only
Terminal Identification	Terminals identified in accordance with UL 498 and CSA
USB Port	Stainless steel Rated for 10,000 plug insertions and removal

<b>Environmental</b>	
Flammability	UL 5VA
Operating Temperature	Maximum continuous 75°C; minimum -40°C (w/o impact)



## Online Resources

eCatalog

Dimensions in Inches (mm)

Hubbell Wiring Device-Kellems • Hubbell Incorporated (Delaware) • 40 Waterview Drive • Shelton, CT 06484

Phone (800) 288-6000 • Fax (800) 255-1031 • Specifications subject to change without notice.

