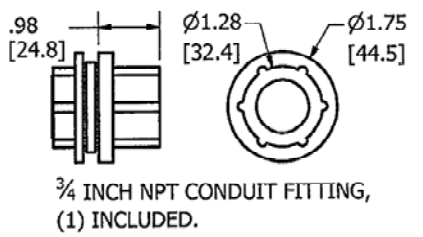
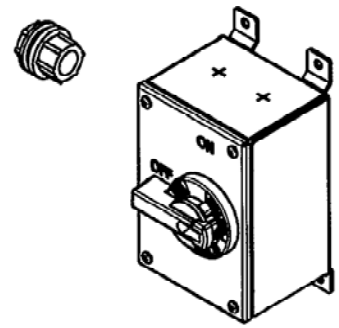


M-12330 1

DRILL SPOTS FOR 3/4" NPT CONDUIT FITTING,
(6) PLACES. PROVISION FOR TOP, BOTTOM, &
BACK FEED. INSTALLER TO DRILL OR PUNCH
Ø1.11 INCH (Ø28.2 mm) HOLE FOR CONDUIT
FITTING.



3/4 INCH NPT CONDUIT FITTING,
(1) INCLUDED.

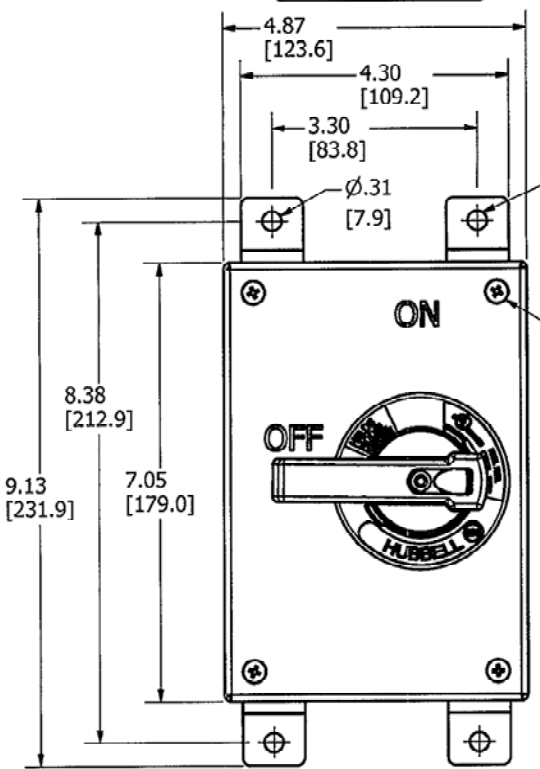
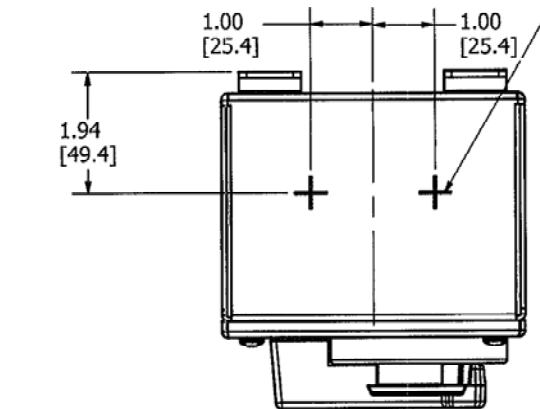


LIST OF PARTS

DESCRIPTION	MATERIAL	FINISH
ENCLOSURE & HARDWARE	STAINLES S STEEL	
HANDLE & MOUNT	PBT	
GASKET	EPDM FOAM	
CONDUIT HUB	ZINC	

30A 600V A.C. RATINGS	
HP	VOLTAGE
1 HP	120V AC 1Ø
3 HP	200-240V AC 1Ø
5 HP	480V AC 1Ø
7.5 HP	200-240V AC 3Ø
15 HP	480V AC 3Ø
15 HP	600V AC 3Ø

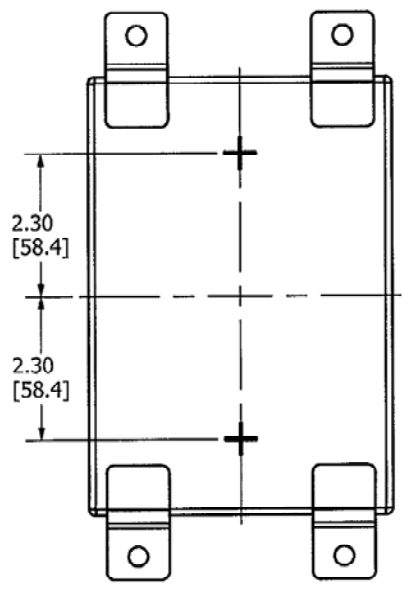
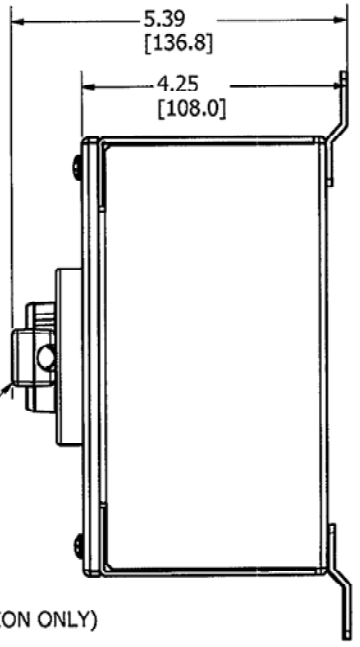
- NOTES:
1. CATALOG NUMBERS: HBLDS3SS, HBLDS3SSAC,
& HBLDS3VFD.
2. DIMENSIONS SHOWN ARE IN INCHES [mm].
3. ENCLOSURE TYPE 4X & 12.
4. CULUS LISTED.



HOLES ACCEPT
1/4" DIA SCREWS
MAX

#10-32
PAN HEAD
SCREWS

LOCKABLE
SWITCH
HANDLE
(OFF POSITION ONLY)



DRAWING SHEET FOX-CAT NO.

SEE NOTES

REPAIRABLE

NON-REPAIRABLE

B

M-12330

1

1	RELEASED PER DCN# 19082 MAM	TL MAM	TLS 10/18/12
SYM	DESCRIPTION	APPROVED	DATE

THE DESIGN AND DIMENSIONS OF THE
PRODUCT SHOWN ON THIS DRAWING ARE
SUBJECT TO CHANGE WITHOUT NOTICE

TITLE
CIRCUIT-LOCK™ 30 AMP
STAINLESS STEEL DISCONNECT SWITCH

TOLERANCES UNLESS OTHERWISE SPECIFIED	WIRING DEVICE-KELLEMS	
	HUBBELL INCORPORATED	
	SHELTON, CT	
FRACTIONS ±1/64	DR. BY MAM	APP. BY TLS
DECIMALS ±.005	IR. BY MAM	SCALE NONE
ANGLES ±2°	CHK'D BY MJZ	DATE 10/18/2012