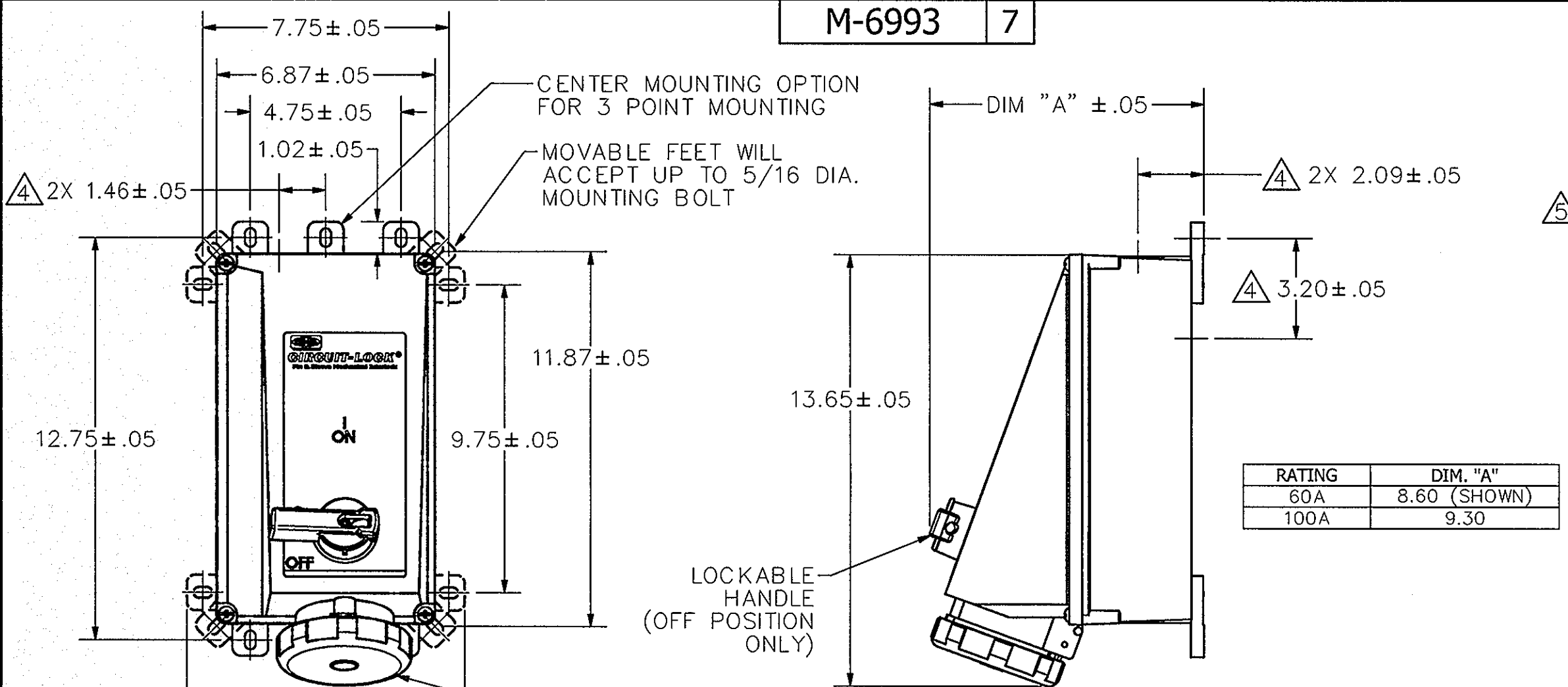
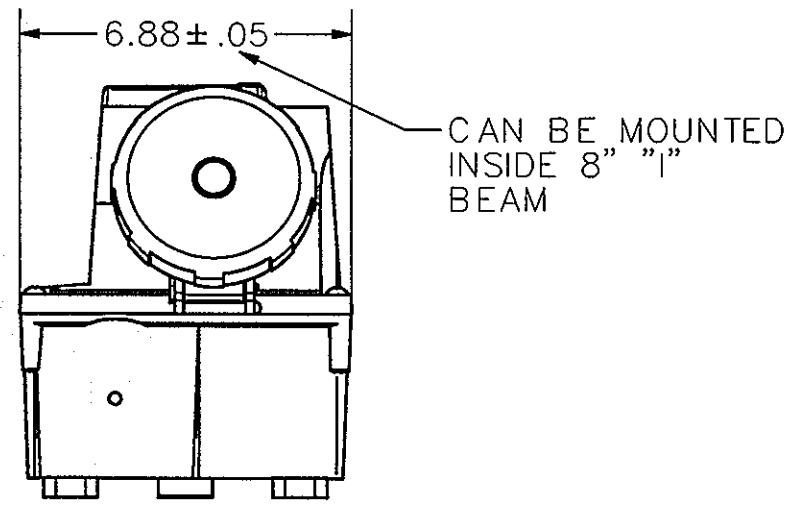


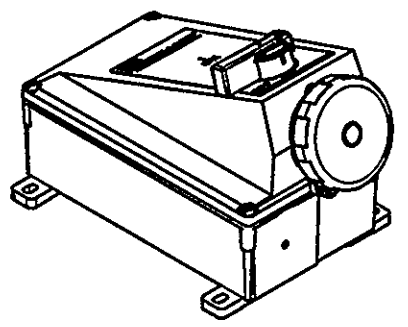
M-6993 7



RATING	DIM. "A"
60A	8.60 (SHOWN)
100A	9.30



LIST OF PARTS		
DESCRIPTION	MATERIAL	FINISH
ALL EXTERNAL PLASTIC PARTS	UV STABILIZED POLYESTER BLEND	
ALL EXTERNAL SCREWS	STAINLESS STEEL	
THREADED HUB INSULATED THROAT	DIE CAST ZINC	



7	REPLACED DRAWING TO INVENTOR ASSY MODEL AND SHEET DWG. WITH NO GEOMETRIC CHANGES. ADDED ISO VIEW TO INDICATE SOLID MODEL DRAWING. UPDATED SHEET BORDER. PER DCN 20755 DDL	DJP	09/09/14
	REV	DESCRIPTION	APP DATE

CAT. NO.	AMPS	RATING	HORSEPOWER	POLES	WIRES
HBL360MI4W	60	120VAC	3	2	3
HBL360MI6W	60	240VAC	7.5 (208-240VAC)	2	3
HBL360MI7W	60	480VAC	20	2	3
HBL460MI5W	60	600VAC 3Ø	40	3	4
HBL460MI5WR	60	600VAC 3Ø	40	3	4
HBL460MI7W	60	480VAC 3Ø	30	3	4
HBL460MI7WR	60	480VAC 3Ø	30	3	4
HBL460MI9W	60	240VAC 3Ø	15	3	4
HBL460MI9WR	60	240VAC 3Ø	15	3	4
HBL460MI12W	60	120/240VAC	7.5 (208-240VAC L-L)	3	4
HBL460MI12WR	60	120/240VAC	7.5 (208-240VAC L-L)	3	4
HBL560MI5W	60	347/600VAC 3ØY	40	4	5
HBL560MI7W	60	277/480VAC 3ØY	30	4	5
HBL560MI9W	60	120/208VAC 3ØY	15	4	5
HBL3100MI6W	100	240VAC	15	2	3
		208VAC	10	2	3
HBL4100MI5W	100	600VAC 3Ø	50	3	4
HBL4100MI5WR	100	600VAC 3Ø	50	3	4
HBL4100MI7W	100	480VAC 3Ø	50	3	4
HBL4100MI7WR	100	480VAC 3Ø	50	3	4
HBL4100MI9W	100	240VAC 3Ø	25	3	4
HBL4100MI9WR	100	240VAC 3Ø	25	3	4
HBL4100MI12WR	100	120/240VAC	15 (208-240VAC L-L)	3	4
HBL5100MI9W	100	120/208VAC 3ØY	20	4	5
HBL460MI5WS	60	600VAC 3Ø	40	3	4
HBL5100MI5WS	100	600VAC 3Ø	50	3	4
HBL4100MI12W	100	120/240VAC	15	3	4

NOTES: (UNLESS OTHERWISE SPECIFIED)
 1. ENCLOSURE TYPE 4X & 12.
 2. UL 508 LISTED AND CSA CERTIFIED.
 3. RECEPTACLE IS IEC 309-1 & 2 PIN & SLEEVE.
 4 DRILL POINT LOCATIONS (3) FOR CONDUIT FITTING INSTALLATION.
 5 1-1/4" NPT CONDUIT FITTING SUPPLIED. PROVISIONS FOR BOTTOM, BACK & TOP FEED.

THE DESIGN AND DIMENSIONS OF THE PRODUCT SHOWN ON THIS DRAWING ARE SUBJECT TO CHANGE WITHOUT NOTICE

TOLERANCES UNLESS OTHERWISE SPECIFIED	WIRING DEVICE-KELLEMS HUBBELL INCORPORATED SHELTON, CT	
.XX = ± .01	DR. BY DDL	APP. BY
.XXX = ± .005	TR. BY	SCALE 1/4
ANGLES = ± 2'	CHK. BY	DATE 09/09/14