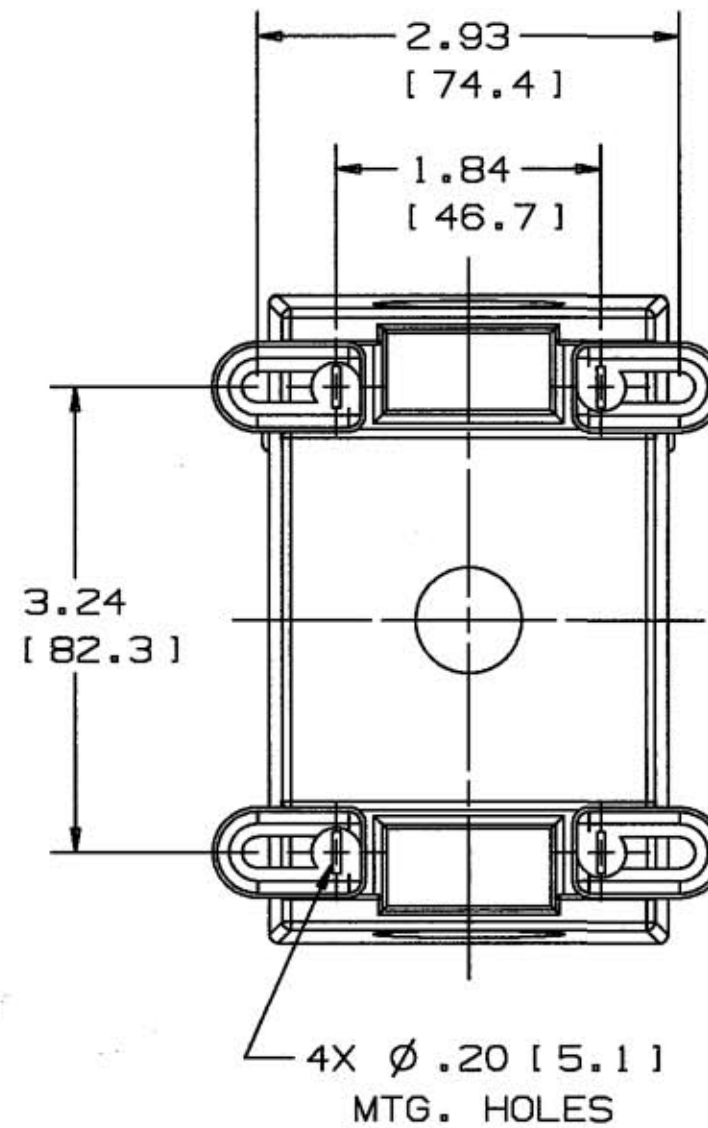
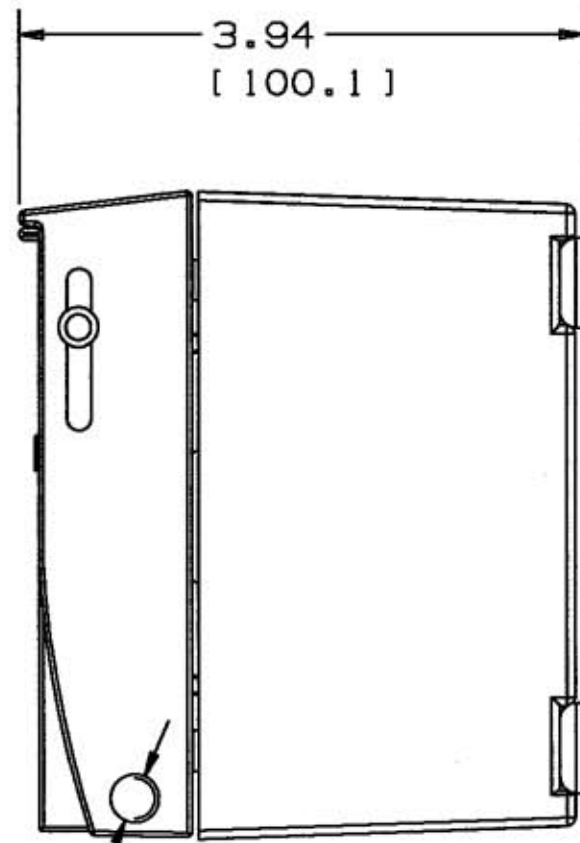
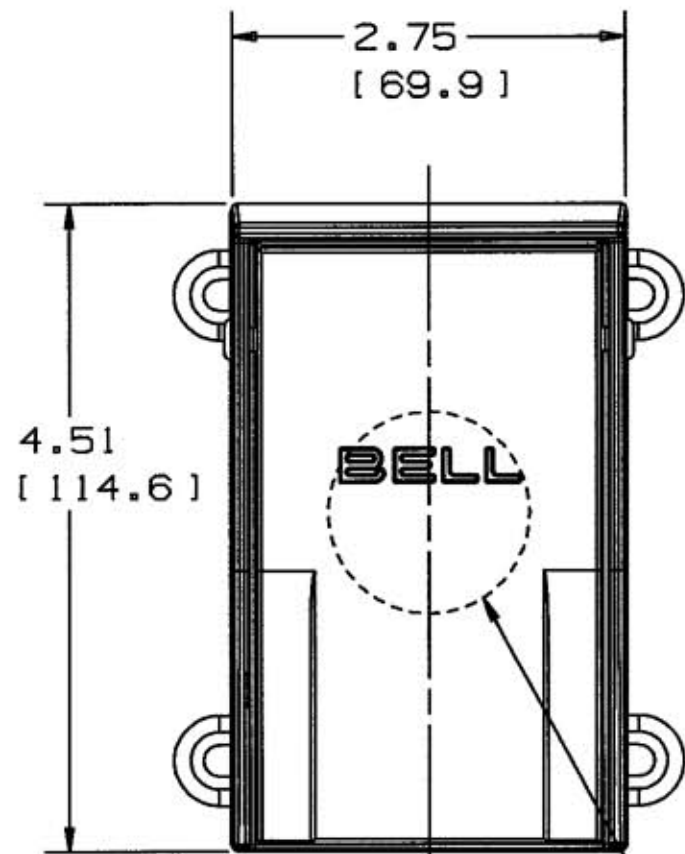


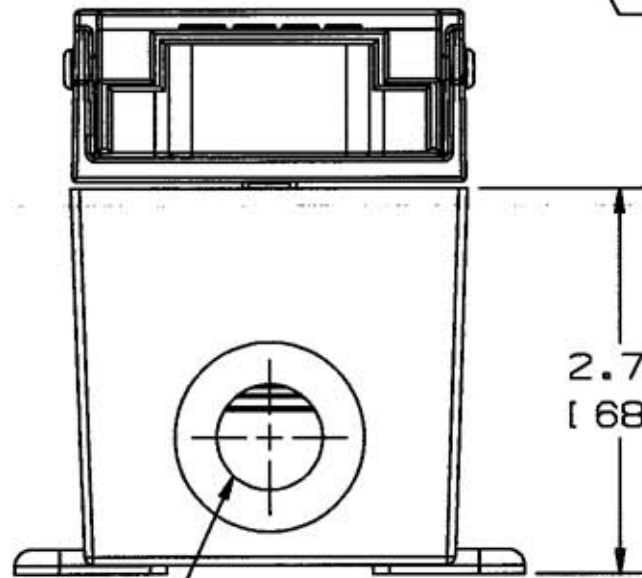
M-9342 1



Ø .34 [8.6]

Ø 1.40 [35.7] OPENING

4X Ø .20 [5.1] MTG. HOLES



(3) OPENINGS FOR 1/2" OUTLETS

DIMENSIONS IN INCHES [MM].

CATALOG NO.	PHASE	GENERAL RATING	H.P. RATINGS				TERM. MAX. CAP. & WIRE INFO.	INSUL. STRIP IN. [MM]	TERMINAL TORQUE LB. IN. [Nm]
			120V AC	240V AC	480V AC	600V AC			
HBL13R12D	1 Ø	30A	2	5	10	15	#10 AWG CU ONLY	5/8 [16]	20 [2.4]
HBL13R13D	3 Ø	600VAC	3	7.5	15	20			

LIST OF PARTS

DESCRIPTION	MATERIAL	FINISH
COVER ASSEMBLY	CAST ALUM.	GRAY
BOX ASSEMBLY	CAST ALUM.	GRAY
GASKET	CLOSED CELL	BLACK
GROUND SCREW	STEEL	GREEN
SWITCH ASSEMBLY		
SW. MTG. SCREW (2)	STEEL	
COVER MTG SCR. (2)	STEEL	
FINGER GUARDS (2)	TH.PLASTIC	RED

DIMENSION SHEET FOR CAT. NO.

SEE CHART

REPAIRABLE

NON-REPAIRABLE

B

M-9342

1

2	DCN12116 ADDED FINGER GUARDS TO LIST OF MATERIALS.	SM	S.M.	12-06-04
1	DCN11626 INITIAL RELEASE	SM	APP	4-14-04
SYM	REVISIONS		APP	DATE

THE DESIGN AND DIMENSIONS OF THE PRODUCT SHOWN ON THIS DRAWING ARE SUBJECT TO CHANGE WITHOUT NOTICE

TITLE 30A DISC IN 3R METAL ENCL. W/VERT FLIP COVER HUBBELL CUSTOMER DRAWING

TOLERANCES UNLESS OTHERWISE SPECIFIED  
 FRACTIONS ± 1/64  
 DECIMALS ± .005  
 ANGLES ± 2°

WIRING DEVICE-KELLEMS HUBBELL INCORPORATED BRIDGEPORT, CT  
 DR. BY PAC APP. BY SM  
 TR. BY SCALE NONE  
 CHK'D BY SM DATE 4-7-04