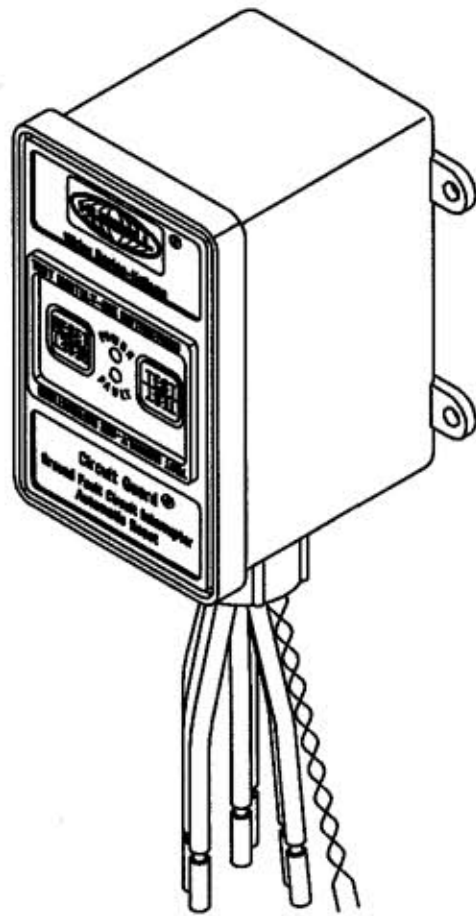
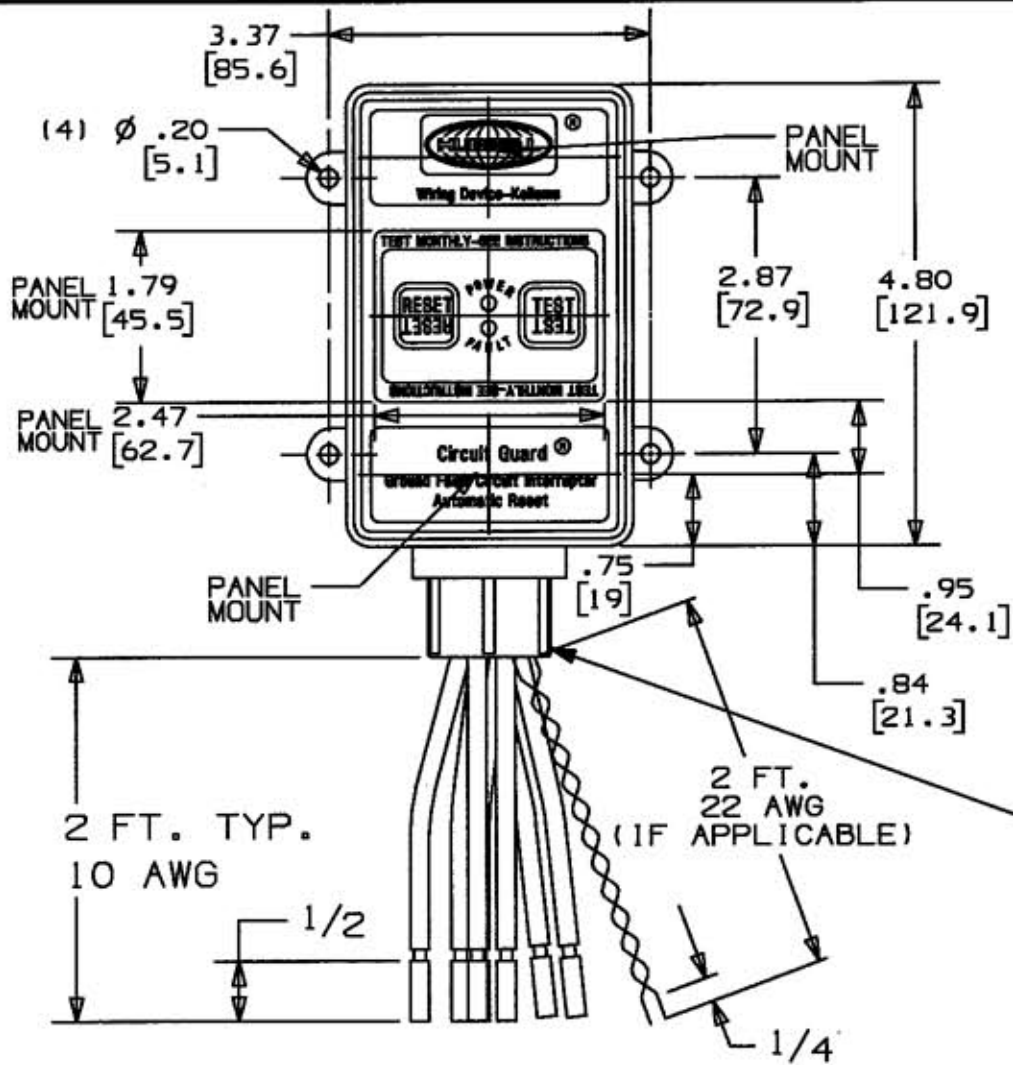


M-9095 2

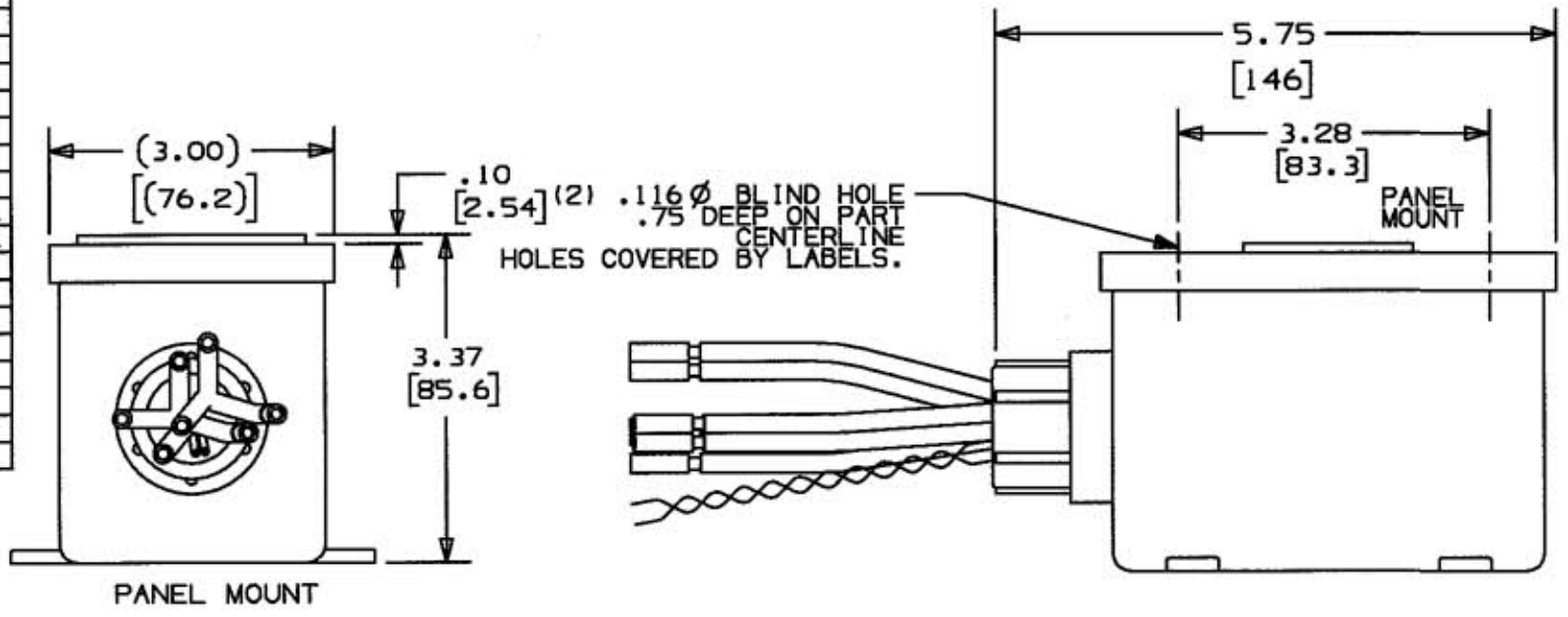


3/4" CONDUIT FITTINGS
 P075NGYA (GRAY)
 P075NBKA (BLACK)
 (NOT PART OF ASSEMBLY
 TO BE ORDERED SEPARATELY)

NOTE: GROUND WIRE DOES NOT ENTER OR EXIT ENCLOSURE.

ITEM	HUBBELL CAT.	3 PH. VOLTAGE		AMP	POWER - UP	WATTS	WIRE NUMBER
		250VAC	120/208VAC				
1	GFHW530	YES		30A	MANUAL	7200	SEE CHART
2	GFHW531	YES		30A	AUTOMATIC	7200	SEE CHART
3	GFHW430		YES	30A	MANUAL	6240	SEE CHART
4	GFHW431		YES	30A	AUTOMATIC	6240	SEE CHART
5	GFHW53035	YES		30A	MANUAL	7200	SEE CHART

WIRE CHART			
WIRE APPLICATION	WIRE #	COLOR	DESCRIPTION
250VAC 3 PHASE	1	BLACK	LINE (L1)
	2	RED	LINE (L2)
	3	ORANGE	LINE (L3)
	4	BLACK W/WHITE STRIPE	LOAD (L1)
	5	RED W/BLACK STRIPE	LOAD (L2)
	6	ORANGE W/BLACK STRIPE	LOAD (L3)
	7	BLACK	OUTPUT SIGNAL
	8	RED	OUTPUT SIGNAL
120/208VAC 3 PHASE	1	BLACK	LINE (L1)
	2	RED	LINE (L2)
	3	ORANGE	LINE (L3)
	4	WHITE	LINE (N)
	5	BLACK W/WHITE STRIPE	LOAD (L1)
	6	RED W/BLACK STRIPE	LOAD (L2)
	7	ORANGE W/BLACK STRIPE	LOAD (L3)
	8	WHITE W/BLACK STRIPE	LOAD (N)



LIST OF PARTS		
DESCRIPTION	MATERIAL	FINISH

SYM	REVISIONS	APP	DATE
2	ADDED WIRES 7&8 TO 250VAC IN TABLE; ADDED 22AWG WIRE TO VIEWS; ADDED ITEM 5 PER DCN 13465 RCM	DJP	12/8/06
1	INITIAL RELEASE PER DCN. 10717	SM	

THE DESIGN AND DIMENSIONS OF THE PRODUCT SHOWN ON THIS DRAWING ARE SUBJECT TO CHANGE WITHOUT NOTICE

TITLE PERMANENT 3-PHASE 250VAC & 120/208VAC GFCI PANEL & SURFACE MOUNT MANUAL / AUTOMATIC

TOLERANCES UNLESS OTHERWISE SPECIFIED
 FRACTIONS ±1/64
 DECIMALS ±.005
 ANGLES ±2'

WIRING DEVICE-KELLEMS HUBBELL INCORPORATED BRIDGEPORT, CT
 DR. BY TJV APP. BY SM
 TR. BY SCALE 1:2
 CHK'D BY SM DATE 5-13-03

DIMENSION SHEET FOR CAT. NO. M-9095
 REPAIRABLE NON-REPAIRABLE