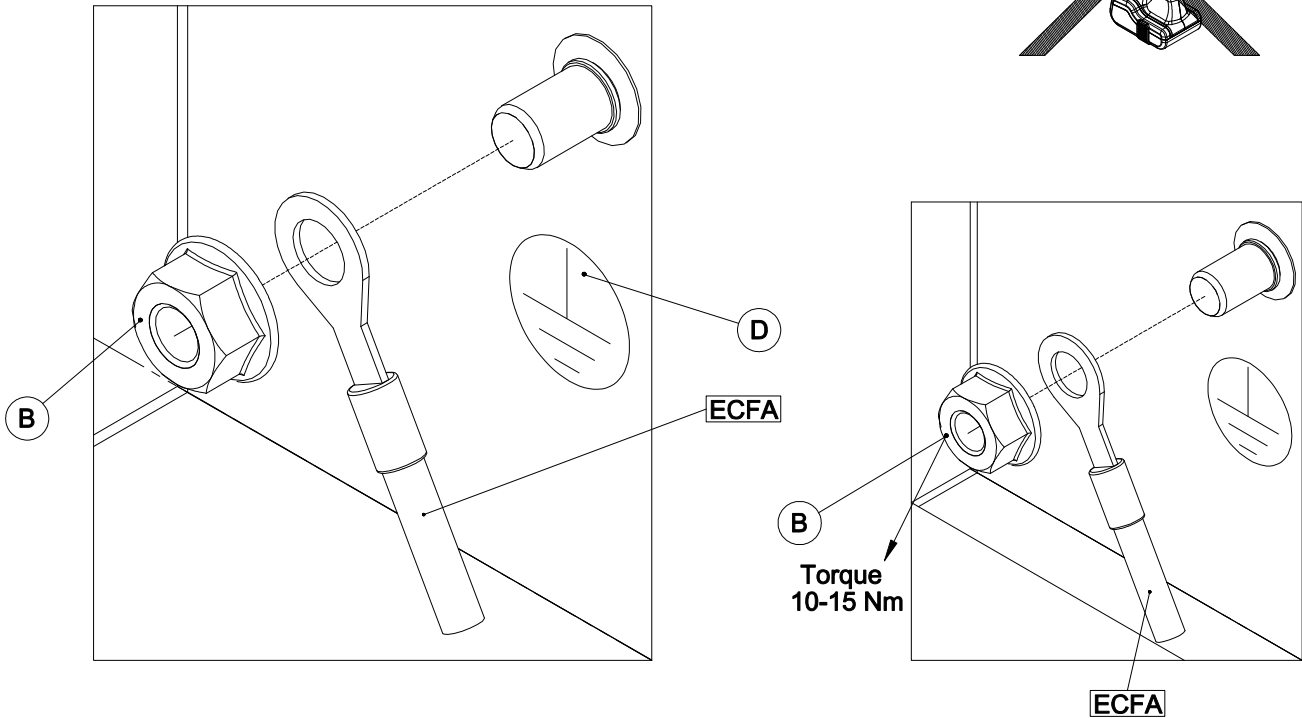
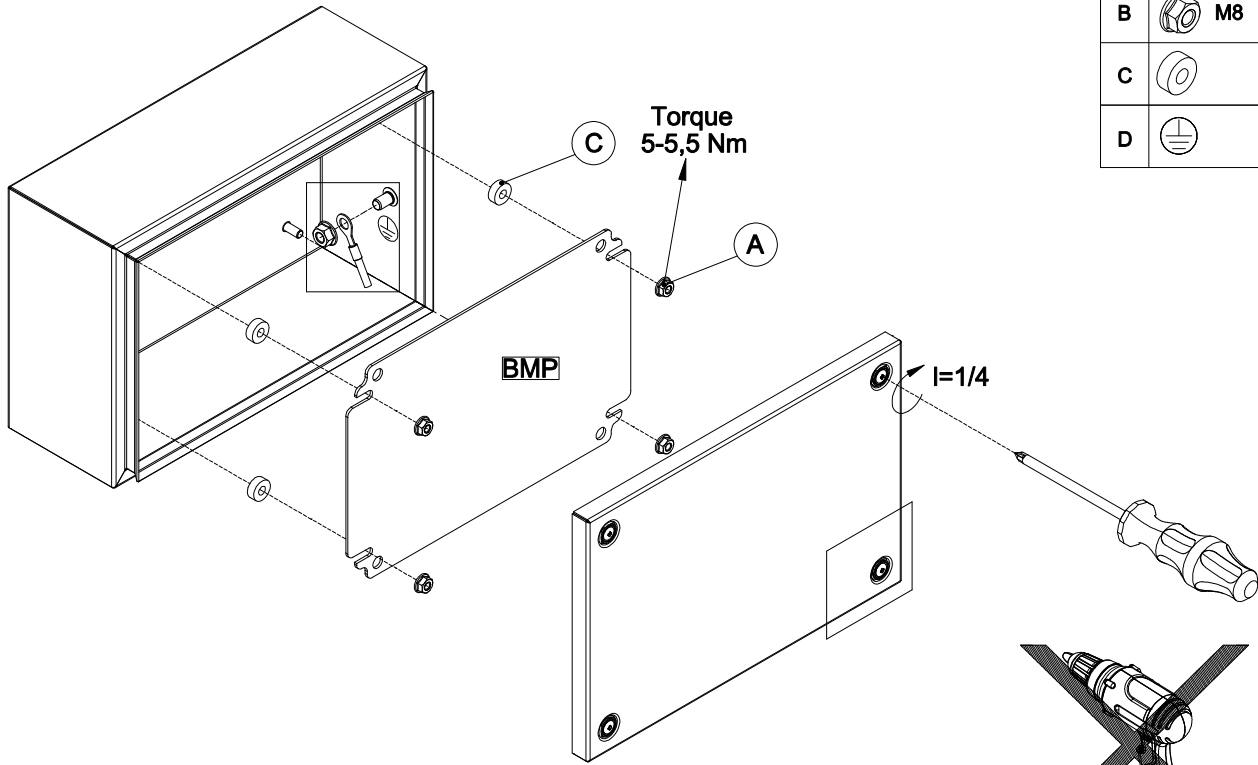


SSTB

Ref.	Pic.	W (mm)	W (mm)	
			<600	≥600
A		M6	4	6
B		M8	2	2
C			4	6
D			2	2



WARNING: When mounting on or over a combustible surface, a floor plate of at least 1.43 mm galvanized or 1.6 mm uncoated steel extended at least 150 mm beyond the equipment on all sides must be installed.

WARNING: In order to maintain the environmental integrity of the enclosure, devices with the same environmental ratings shall be used to close openings in customized enclosure.