

# Type 4X Panel Enclosures

## Wall-Mount Enclosures Type 4X Premier™ Series with Quarter-Turn Latches Data Sheet



### Application

- Houses electrical controls and instruments
- Intended for indoor or outdoor use where a corrosive environment exists
- Protects against corrosion, circulating and windblown dust, falling dirt, dripping non-corrosive liquids, rain, splashing water and hose directed water

### Standards

- UL 508A Listed, Type 4X, Type 4 and Type 12
- cUL Listed, Type 4X, Type 4 and Type 12
- Conforms to NEMA standard for Type 4X, Type 4 and 12
- Wall-mounting brackets required to maintain UL/CSA external mounting requirements

### Finish

- Door and sides of body have a smooth #4 brushed finish

### Accessories

- Premier panels
- NEMA panel adapters
- Depth adjustment brackets
- Print pockets
- Padlockable or keyed handles
- Security latch inserts
- Mounting foot kits
- EIA/TIA rack mounting angles
- Swing-out panels
- See Premier Series Accessories pages, 212-217

### Construction

- Enclosure and door are fabricated from code gauge Type 304 or Type 316L stainless steel (see pages 209 & 210)
- All continuous welded seams are finished smooth
- Hardware kit provided contains grounding hardware, .312-18 flanged hex nuts for panel mounting, and sealing washers for body mounting holes

### Body Construction

- Body flange trough design is formed around body opening to divert liquid contaminants away from door opening
- Reduced width flange design increases enclosure opening
- Ground stud provided on enclosure body and door
- .312-18 collar studs are provided for mounting optional Premier panels
- Enclosure mounting holes in body provided for direct mounting or optional mounting feet

### Door Construction

- Doors are secured to the body with a concealed hinge design on one side and slotted quarter-turn flush latch(es) on the opposite side
- Doors are easily removed and interchangeable
- Door has a seamless poured in-place gasket
- Door opens 180° for easy access
- Window-door enclosures feature flush-mounted clear polycarbonate window

### Discount Schedule: C2

### Subclass: TE0

**Notes:** We can provide special sizes, finishes and other modifications. Consult the factory for your special requirements.

## Wall-Mount Enclosures Type 4X Premier™ Series with Quarter-Turn Latches Catalog Number

| Enclosure Catalog |               | Enclosure Number |                  | Size Door/Body Gauge | * Panel Catalog Number | Panel Size H x W |            | Mounting D x E |            | Window Size F x G |           | Latch Qty. | J    |     | K     |     |
|-------------------|---------------|------------------|------------------|----------------------|------------------------|------------------|------------|----------------|------------|-------------------|-----------|------------|------|-----|-------|-----|
| Solid Door        | Window Door   | in.              | mm               |                      |                        | in.              | mm         | in.            | mm         | in.               | mm        |            | in.  | mm  | in.   | mm  |
| 1084-SDSS4        | -             | 10 x 8 x 4       | 254 x 203 x 102  | 16/16                | 108P                   | 8.00 x 6.00      | 203 x 152  | 8.50 x 6.37    | 216 x 162  | -                 | -         | 1          | --   | --  | 5.00  | 127 |
| 1086-SDSS4        | -             | 10 x 8 x 6       | 254 x 203 x 152  | 16/16                | 108P                   | 8.00 x 6.00      | 203 x 152  | 8.50 x 6.37    | 216 x 162  | -                 | -         | 1          | --   | --  | 5.00  | 127 |
| 12106-SDSS4       | -             | 12 x 10 x 6      | 305 x 254 x 152  | 16/16                | 1210P                  | 10.00 x 8.00     | 254 x 203  | 10.50 x 8.37   | 267 x 213  | -                 | -         | 1          | --   | --  | 6.00  | 152 |
| 12126-SDSS4       | 12126-SDWSS4  | 12 x 12 x 6      | 305 x 305 x 152  | 16/16                | 1212P                  | 10.00 x 10.00    | 254 x 254  | 10.50 x 10.37  | 267 x 264  | 8.25 x 7.00       | 210 x 178 | 1          | --   | --  | 6.00  | 152 |
| 16126-SDSS4       | 16126-SDWSS4  | 16 x 12 x 6      | 406 x 305 x 152  | 16/16                | 1612P                  | 14.00 x 10.00    | 356 x 254  | 14.50 x 10.37  | 368 x 264  | 12.25 x 7.00      | 311 x 178 | 1          | --   | --  | 8.00  | 203 |
| 16166-SDSS4       | -             | 16 x 16 x 6      | 406 x 406 x 152  | 16/16                | 1616P                  | 14.00 x 14.00    | 356 x 356  | 14.50 x 14.37  | 368 x 365  | -                 | -         | 1          | --   | --  | 8.00  | 203 |
| 20166-SDSS4       | 20166-SDWSS4  | 20 x 16 x 6      | 508 x 406 x 152  | 16/16                | 2016P                  | 18.00 x 14.00    | 457 x 356  | 18.50 x 14.37  | 470 x 365  | 16.25 x 11.00     | 413 x 279 | 1          | --   | --  | 10.00 | 254 |
| 20206-SDSS4       | 20206-SDWSS4  | 20 x 20 x 6      | 508 x 508 x 152  | 16/16                | 2020P                  | 18.00 x 18.00    | 457 x 457  | 18.50 x 18.37  | 470 x 467  | 16.25 x 15.00     | 413 x 381 | 1          | --   | --  | 10.00 | 254 |
| 16128-SDSS4       | -             | 16 x 12 x 8      | 406 x 305 x 203  | 16/16                | 1612P                  | 14.00 x 10.00    | 356 x 254  | 14.50 x 10.37  | 368 x 264  | -                 | -         | 1          | --   | --  | 8.00  | 203 |
| 16168-SDSS4       | -             | 16 x 16 x 8      | 406 x 406 x 203  | 16/16                | 1616P                  | 14.00 x 14.00    | 356 x 356  | 14.50 x 14.37  | 368 x 365  | -                 | -         | 1          | --   | --  | 8.00  | 203 |
| 16208-SDSS4       | -             | 16 x 20 x 8      | 406 x 508 x 203  | 16/16                | 2016P                  | 14.00 x 18.00    | 356 x 457  | 14.50 x 18.37  | 368 x 467  | -                 | -         | 1          | --   | --  | 8.00  | 203 |
| 20168-SDSS4       | 20168-SDWSS4  | 20 x 16 x 8      | 508 x 406 x 203  | 16/16                | 2016P                  | 18.00 x 14.00    | 457 x 356  | 18.50 x 14.37  | 470 x 365  | 16.25 x 11.00     | 413 x 279 | 1          | --   | --  | 10.00 | 254 |
| 20208-SDSS4       | 20208-SDWSS4  | 20 x 20 x 8      | 508 x 508 x 203  | 16/16                | 2020P                  | 18.00 x 18.00    | 457 x 457  | 18.50 x 18.37  | 470 x 467  | 16.25 x 15.00     | 413 x 381 | 1          | --   | --  | 10.00 | 254 |
| 24168-SDSS4       | -             | 24 x 16 x 8      | 610 x 406 x 203  | 16/16                | 2416P                  | 22.00 x 14.00    | 559 x 356  | 22.50 x 14.37  | 572 x 365  | -                 | -         | 1          | --   | --  | 12.00 | 305 |
| 24208-SDSS4       | 24208-SDWSS4  | 24 x 20 x 8      | 610 x 508 x 203  | 16/16                | 2420P                  | 22.00 x 18.00    | 559 x 457  | 22.50 x 18.37  | 572 x 467  | 20.25 x 15.00     | 514 x 381 | 1          | --   | --  | 12.00 | 305 |
| 24248-SDSS4       | 24248-SDWSS4  | 24 x 24 x 8      | 610 x 610 x 203  | 14/16                | 2424P                  | 22.00 x 22.00    | 559 x 559  | 22.50 x 22.37  | 572 x 568  | 20.25 x 17.62     | 514 x 448 | 2          | 5.00 | 127 | --    | --  |
| 30248-SDSS4       | 30248-SDWSS4  | 30 x 24 x 8      | 762 x 610 x 203  | 14/16                | 3024P                  | 28.00 x 22.00    | 711 x 559  | 28.50 x 22.37  | 724 x 568  | 26.25 x 17.62     | 667 x 448 | 2          | 5.00 | 127 | --    | --  |
| 30308-SDSS4       | -             | 30 x 30 x 8      | 762 x 762 x 203  | 14/14                | 3030P                  | 28.00 x 28.00    | 711 x 711  | 28.50 x 28.37  | 724 x 721  | -                 | -         | 2          | 5.00 | 127 | --    | --  |
| 36248-SDSS4       | -             | 36 x 24 x 8      | 914 x 610 x 203  | 14/16                | 3624P                  | 34.00 x 22.00    | 864 x 559  | 34.50 x 22.37  | 876 x 568  | -                 | -         | 2          | 5.00 | 127 | --    | --  |
| 36308-SDSS4       | -             | 36 x 30 x 8      | 914 x 762 x 203  | 14/14                | 3630P                  | 34.00 x 28.00    | 864 x 711  | 34.50 x 28.37  | 876 x 721  | -                 | -         | 2          | 5.00 | 127 | --    | --  |
| 36368-SDSS4       | -             | 36 x 36 x 8      | 914 x 914 x 203  | 14/14                | 3636P                  | 34.00 x 34.00    | 864 x 864  | 34.50 x 34.37  | 876 x 873  | -                 | -         | 4          | 5.00 | 127 | --    | --  |
| 201610-SDSS4      | -             | 20 x 16 x 10     | 508 x 406 x 254  | 14/14                | 2016P                  | 18.00 x 14.00    | 457 x 356  | 18.50 x 14.37  | 470 x 365  | -                 | -         | 1          | --   | --  | 10.00 | 254 |
| 302010-SDSS4      | -             | 30 x 20 x 10     | 762 x 508 x 254  | 14/14                | 3020P                  | 28.00 x 18.00    | 711 x 457  | 28.50 x 18.37  | 724 x 467  | -                 | -         | 2          | 5.00 | 127 | --    | --  |
| 423010-SDSS4      | -             | 42 x 30 x 10     | 1067 x 762 x 254 | 14/14                | 4230P                  | 40.00 x 28.00    | 1016 x 711 | 40.50 x 28.37  | 1029 x 721 | -                 | -         | 5          | 5.00 | 127 | 21.00 | 533 |
| 202012-SDSS4      | 202012-SDWSS4 | 20 x 20 x 12     | 508 x 508 x 305  | 14/14                | 2020P                  | 18.00 x 18.00    | 457 x 457  | 18.50 x 18.37  | 470 x 467  | 16.25 x 15.00     | 413 x 381 | 1          | --   | --  | 10.00 | 254 |
| 242012-SDSS4      | -             | 24 x 20 x 12     | 610 x 508 x 305  | 14/14                | 2420P                  | 22.00 x 18.00    | 559 x 457  | 22.50 x 18.37  | 572 x 467  | -                 | -         | 2          | 5.00 | 127 | --    | --  |
| 242412-SDSS4      | -             | 24 x 24 x 12     | 610 x 610 x 305  | 14/14                | 2424P                  | 22.00 x 22.00    | 559 x 559  | 22.50 x 22.37  | 572 x 568  | -                 | -         | 2          | 5.00 | 127 | --    | --  |
| 302412-SDSS4      | 302412-SDWSS4 | 30 x 24 x 12     | 762 x 610 x 305  | 14/14                | 3024P                  | 28.00 x 22.00    | 711 x 559  | 28.50 x 22.37  | 724 x 568  | 26.25 x 17.62     | 667 x 448 | 2          | 5.00 | 127 | --    | --  |
| 303012-SDSS4      | -             | 30 x 30 x 12     | 762 x 762 x 305  | 14/14                | 3030P                  | 28.00 x 28.00    | 711 x 711  | 28.50 x 28.37  | 724 x 724  | -                 | -         | 2          | 5.00 | 127 | --    | --  |
| 362412-SDSS4      | -             | 36 x 24 x 12     | 914 x 610 x 305  | 14/14                | 3624P                  | 34.00 x 22.00    | 864 x 559  | 34.50 x 22.37  | 876 x 568  | -                 | -         | 2          | 5.00 | 127 | --    | --  |
| 363012-SDSS4      | -             | 36 x 30 x 12     | 914 x 762 x 305  | 14/14                | 3630P                  | 34.00 x 28.00    | 864 x 711  | 34.50 x 28.37  | 876 x 721  | -                 | -         | 2          | 5.00 | 127 | --    | --  |
| 363612-SDSS4      | -             | 36 x 36 x 12     | 914 x 914 x 305  | 14/14                | 3636P                  | 34.00 x 34.00    | 864 x 864  | 34.50 x 34.37  | 876 x 873  | -                 | -         | 4          | 5.00 | 127 | --    | --  |
| 423612-SDSS4      | -             | 42 x 36 x 12     | 1067 x 914 x 305 | 14/14                | 4236P                  | 40.00 x 34.00    | 1016 x 864 | 40.50 x 34.37  | 1029 x 873 | -                 | -         | 5          | 5.00 | 127 | 21.00 | 533 |
| 483612-SDSS4      | -             | 48 x 36 x 12     | 1219 x 914 x 305 | 14/14                | 4836P                  | 46.00 x 34.00    | 1168 x 864 | 46.50 x 34.37  | 1181 x 873 | -                 | -         | 5          | 5.00 | 127 | 24.00 | 609 |
| 603612-SDSS4      | -             | 60 x 36 x 12     | 1524 x 914 x 305 | 14/14                | 6036P                  | 58.00 x 34.00    | 1473 x 864 | 58.50 x 34.37  | 1486 x 873 | -                 | -         | 5          | 5.00 | 127 | 30.00 | 762 |
| 242416-SDSS4      | -             | 24 x 24 x 16     | 610 x 610 x 406  | 14/14                | 2424P                  | 22.00 x 22.00    | 559 x 559  | 22.50 x 22.37  | 572 x 568  | -                 | -         | 2          | 5.00 | 127 | --    | --  |
| 302416-SDSS4      | -             | 30 x 24 x 16     | 762 x 610 x 406  | 14/14                | 3024P                  | 28.00 x 22.00    | 711 x 559  | 28.50 x 22.37  | 724 x 568  | -                 | -         | 2          | 5.00 | 127 | --    | --  |
| 423616-SDSS4      | -             | 42 x 36 x 16     | 1067 x 914 x 406 | 14/14                | 4236P                  | 40.00 x 34.00    | 1016 x 864 | 40.50 x 34.37  | 1029 x 873 | -                 | -         | 5          | 5.00 | 127 | 21.00 | 533 |
| 483616-SDSS4      | -             | 48 x 36 x 16     | 1219 x 914 x 406 | 14/14                | 4836P                  | 46.00 x 34.00    | 1168 x 864 | 46.50 x 34.37  | 1181 x 873 | -                 | -         | 5          | 5.00 | 127 | 24.00 | 609 |
| 603616-SDSS4      | -             | 60 x 36 x 16     | 1524 x 914 x 406 | 14/14                | 6036P                  | 58.00 x 34.00    | 1473 x 864 | 58.50 x 34.37  | 1486 x 873 | -                 | -         | 5          | 5.00 | 127 | 30.00 | 762 |

Type 4X Panel Enclosures

See dimensional drawings on page 211.  
\* See page 212 for other panel information.

**Notes:** Dimensions are in inches. Millimeters shown are for reference only. Data subject to change without notice.

# Type 4X Panel Enclosures

## Wall-Mount Enclosures Type 4X Premier™ Series with Quarter-Turn Latches Catalog Number

| Enclosure<br>Catalog Number | Enclosure<br>Size<br>A x B x C             |                  | Door/<br>Body<br>Gauge | Steel<br>Panel<br>Catalog<br>Number | Stainless<br>Steel<br>Panel*<br>Catalog<br>Number | Panel Size<br>H x W |            | Mounting<br>D x E |            | Latch<br>Qty | J    |     | K     |     |
|-----------------------------|--|------------------|------------------------|-------------------------------------|---|---------------------|------------|-------------------|------------|--------------|------|-----|-------|-----|
|                             |  |                  |                        |                                     |   |                     |            |                   |            |              | in.  | mm  | in.   | mm  |
|                             | Type 316L<br>Stainless Steel<br>Solid Door | in.              |                        |                                     |   | mm                  | in.        | mm                | in.        |              | mm   | in. | mm    | in. |
| 1084-SDSS6                  | 10 x 8 x 4                                 | 254 x 203 x 102  | 16/16                  | 108P                                | 108PSS4   | 8.00 x 6.00         | 203 x 152  | 8.50 x 6.37       | 216 x 162  | 1            | --   | --  | 5.00  | 127 |
| 1086-SDSS6                  | 10 x 8 x 6                                 | 254 x 203 x 152  | 16/16                  | 108P                                | 108PSS4   | 8.00 x 6.00         | 203 x 152  | 8.50 x 6.37       | 216 x 162  | 1            | --   | --  | 5.00  | 127 |
| 12106-SDSS6                 | 12 x 10 x 6                                | 305 x 254 x 152  | 16/16                  | 1210P                               | 1210PSS4  | 10.00 x 8.00        | 254 x 203  | 10.50 x 8.37      | 267 x 213  | 1            | --   | --  | 6.00  | 152 |
| 12126-SDSS6                 | 12 x 12 x 6                                | 305 x 305 x 152  | 16/16                  | 1212P                               | 1212PSS4  | 10.00 x 10.00       | 254 x 254  | 10.50 x 10.37     | 267 x 264  | 1            | --   | --  | 6.00  | 152 |
| 16126-SDSS6                 | 16 x 12 x 6                                | 406 x 305 x 152  | 16/16                  | 1612P                               | 1612PSS4  | 14.00 x 10.00       | 356 x 254  | 14.50 x 10.37     | 368 x 264  | 1            | --   | --  | 8.00  | 203 |
| 16166-SDSS6                 | 16 x 16 x 6                                | 406 x 406 x 152  | 16/16                  | 1616P                               | 1616PSS4  | 14.00 x 14.00       | 356 x 356  | 14.50 x 14.37     | 368 x 365  | 1            | --   | --  | 8.00  | 203 |
| 20166-SDSS6                 | 20 x 16 x 6                                | 508 x 406 x 152  | 16/16                  | 2016P                               | 2016PSS4  | 18.00 x 14.00       | 457 x 356  | 18.50 x 14.37     | 470 x 365  | 1            | --   | --  | 10.00 | 254 |
| 20206-SDSS6                 | 20 x 20 x 6                                | 508 x 508 x 152  | 16/16                  | 2020P                               | 2020PSS4  | 18.00 x 18.00       | 457 x 457  | 18.50 x 18.37     | 470 x 467  | 1            | --   | --  | 10.00 | 254 |
| 16128-SDSS6                 | 16 x 12 x 8                                | 406 x 305 x 203  | 16/16                  | 1612P                               | 1612PSS4  | 14.00 x 10.00       | 356 x 254  | 14.50 x 10.37     | 368 x 264  | 1            | --   | --  | 8.00  | 203 |
| 16168-SDSS6                 | 16 x 16 x 8                                | 406 x 406 x 203  | 16/16                  | 1616P                               | 1616PSS4  | 14.00 x 14.00       | 356 x 356  | 14.50 x 14.37     | 368 x 365  | 1            | --   | --  | 8.00  | 203 |
| 16208-SDSS6                 | 16 x 20 x 8                                | 406 x 508 x 203  | 16/16                  | 2016P                               | 2016PSS4  | 14.00 x 18.00       | 356 x 457  | 14.50 x 18.37     | 368 x 467  | 1            | --   | --  | 8.00  | 203 |
| 20168-SDSS6                 | 20 x 16 x 8                                | 508 x 406 x 203  | 16/16                  | 2016P                               | 2016PSS4  | 18.00 x 14.00       | 457 x 356  | 18.50 x 14.37     | 470 x 365  | 1            | --   | --  | 10.00 | 254 |
| 20208-SDSS6                 | 20 x 20 x 8                                | 508 x 508 x 203  | 16/16                  | 2020P                               | 2020PSS4  | 18.00 x 18.00       | 457 x 457  | 18.50 x 18.37     | 470 x 467  | 1            | --   | --  | 10.00 | 254 |
| 24168-SDSS6                 | 24 x 16 x 8                                | 610 x 406 x 203  | 16/16                  | 2416P                               | 2416PSS4  | 22.00 x 14.00       | 559 x 356  | 22.50 x 14.37     | 572 x 365  | 1            | --   | --  | 12.00 | 305 |
| 24208-SDSS6                 | 24 x 20 x 8                                | 610 x 508 x 203  | 16/16                  | 2420P                               | 2420PSS4  | 22.00 x 18.00       | 559 x 457  | 22.50 x 18.37     | 572 x 467  | 1            | --   | --  | 12.00 | 305 |
| 24248-SDSS6                 | 24 x 24 x 8                                | 610 x 610 x 203  | 14/16                  | 2424P                               | 2424PSS4  | 22.00 x 22.00       | 559 x 559  | 22.50 x 22.37     | 572 x 568  | 2            | 5.00 | 127 | --    | --  |
| 30248-SDSS6                 | 30 x 24 x 8                                | 762 x 610 x 203  | 14/16                  | 3024P                               | 3024PSS4  | 28.00 x 22.00       | 711 x 559  | 28.50 x 22.37     | 724 x 568  | 2            | 5.00 | 127 | --    | --  |
| 30308-SDSS6                 | 30 x 30 x 8                                | 762 x 762 x 203  | 14/14                  | 3030P                               | 3030PSS4  | 28.00 x 28.00       | 711 x 711  | 28.50 x 28.37     | 724 x 721  | 2            | 5.00 | 127 | --    | --  |
| 36248-SDSS6                 | 36 x 24 x 8                                | 914 x 610 x 203  | 14/16                  | 3624P                               | 3624PSS4  | 34.00 x 22.00       | 864 x 559  | 34.50 x 22.37     | 876 x 568  | 2            | 5.00 | 127 | --    | --  |
| 36308-SDSS6                 | 36 x 30 x 8                                | 914 x 762 x 203  | 14/14                  | 3630P                               | 3630PSS4  | 34.00 x 28.00       | 864 x 711  | 34.50 x 28.37     | 876 x 721  | 2            | 5.00 | 127 | --    | --  |
| 36368-SDSS6                 | 36 x 36 x 8                                | 914 x 914 x 203  | 14/14                  | 3636P                               | 3636PSS4  | 34.00 x 34.00       | 864 x 864  | 34.50 x 34.37     | 876 x 873  | 4            | 5.00 | 127 | 18.00 | 457 |
| 201610-SDSS6                | 20 x 16 x 10                               | 508 x 406 x 254  | 14/14                  | 2016P                               | 2016PSS4  | 18.00 x 14.00       | 457 x 356  | 18.50 x 14.37     | 470 x 365  | 1            | --   | --  | 10.00 | 254 |
| 302010-SDSS6                | 30 x 20 x 10                               | 762 x 508 x 254  | 14/14                  | 3020P                               | 3020PSS4  | 28.00 x 18.00       | 711 x 457  | 28.50 x 18.37     | 724 x 467  | 2            | 5.00 | 127 | --    | --  |
| 423010-SDSS6                | 42 x 30 x 10                               | 1067 x 762 x 254 | 14/14                  | 4230P                               | 4230PSS4  | 40.00 x 28.00       | 1016 x 711 | 40.50 x 28.37     | 1029 x 721 | 5            | 5.00 | 127 | 21.00 | 533 |
| 202012-SDSS6                | 20 x 20 x 12                               | 508 x 508 x 305  | 14/14                  | 2020P                               | 2020PSS4  | 18.00 x 18.00       | 457 x 457  | 18.50 x 18.37     | 470 x 467  | 1            | --   | --  | 10.00 | 254 |
| 242012-SDSS6                | 24 x 20 x 12                               | 610 x 508 x 305  | 14/14                  | 2420P                               | 2420PSS4  | 22.00 x 18.00       | 559 x 457  | 22.50 x 18.37     | 572 x 467  | 2            | 5.00 | 127 | --    | --  |
| 242412-SDSS6                | 24 x 24 x 12                               | 610 x 610 x 305  | 14/14                  | 2424P                               | 2424PSS4  | 22.00 x 22.00       | 559 x 559  | 22.50 x 22.37     | 572 x 568  | 2            | 5.00 | 127 | --    | --  |
| 302412-SDSS6                | 30 x 24 x 12                               | 762 x 610 x 305  | 14/14                  | 3024P                               | 3024PSS4  | 28.00 x 22.00       | 711 x 559  | 28.50 x 22.37     | 724 x 568  | 2            | 5.00 | 127 | --    | --  |
| 362412-SDSS6                | 36 x 24 x 12                               | 914 x 610 x 305  | 14/14                  | 3624P                               | 3624PSS4  | 34.00 x 22.00       | 864 x 559  | 34.50 x 22.37     | 876 x 568  | 2            | 5.00 | 127 | --    | --  |
| 303012-SDSS6                | 30 x 30 x 12                               | 762 x 762 x 305  | 14/14                  | 3030P                               | 3030PSS4  | 28.00 x 28.00       | 711 x 711  | 28.50 x 28.37     | 724 x 724  | 2            | 5.00 | 127 | --    | --  |
| 363012-SDSS6                | 36 x 30 x 12                               | 914 x 762 x 305  | 14/14                  | 3630P                               | 3630PSS4  | 34.00 x 28.00       | 864 x 711  | 34.50 x 28.37     | 876 x 721  | 2            | 5.00 | 127 | --    | --  |
| 363612-SDSS6                | 36 x 36 x 12                               | 914 x 914 x 305  | 14/14                  | 3636P                               | 3636PSS4  | 34.00 x 34.00       | 864 x 864  | 34.50 x 34.37     | 876 x 873  | 4            | 5.00 | 127 | 18.00 | 457 |
| 423612-SDSS6                | 42 x 36 x 12                               | 1067 x 914 x 305 | 14/14                  | 4236P                               | 4236PSS4  | 40.00 x 34.00       | 1016 x 864 | 40.50 x 34.37     | 1029 x 873 | 5            | 5.00 | 127 | 21.00 | 533 |
| 483612-SDSS6                | 48 x 36 x 12                               | 1219 x 914 x 305 | 14/14                  | 4836P                               | 4836PSS4  | 46.00 x 34.00       | 1168 x 559 | 46.50 x 34.37     | 1181 x 873 | 5            | 5.00 | 127 | 24.00 | 609 |
| 603612-SDSS6                | 60 x 36 x 12                               | 1524 x 914 x 305 | 14/14                  | 6036P                               | 6036PSS4  | 58.00 x 34.00       | 1473 x 559 | 58.50 x 34.37     | 1486 x 873 | 5            | 5.00 | 127 | 30.00 | 762 |
| 242416-SDSS6                | 24 x 24 x 16                               | 610 x 610 x 406  | 14/14                  | 2424P                               | 2424PSS4  | 22.00 x 22.00       | 559 x 559  | 22.50 x 22.37     | 572 x 568  | 2            | 5.00 | 127 | --    | --  |
| 302416-SDSS6                | 30 x 24 x 16                               | 762 x 610 x 406  | 14/14                  | 3024P                               | 3024PSS4  | 28.00 x 22.00       | 711 x 559  | 28.50 x 22.37     | 724 x 568  | 2            | 5.00 | 127 | --    | --  |
| 423616-SDSS6                | 42 x 36 x 16                               | 1067 x 914 x 406 | 14/14                  | 4236P                               | 4236PSS4  | 40.00 x 34.00       | 1016 x 864 | 40.50 x 34.37     | 1029 x 873 | 5            | 5.00 | 127 | 21.00 | 533 |
| 483616-SDSS6                | 48 x 36 x 16                               | 1219 x 914 x 406 | 14/14                  | 4836P                               | 4836PSS4  | 46.00 x 34.00       | 1168 x 864 | 46.50 x 34.37     | 1181 x 873 | 5            | 5.00 | 127 | 24.00 | 609 |
| 603616-SDSS6                | 60 x 36 x 16                               | 1524 x 914 x 406 | 14/14                  | 6036P                               | 6036PSS4  | 58.00 x 34.00       | 1473 x 864 | 58.50 x 34.37     | 1486 x 873 | 5            | 5.00 | 127 | 30.00 | 762 |

See dimensional drawings on page 211.

\* See page 212 for other panel information.

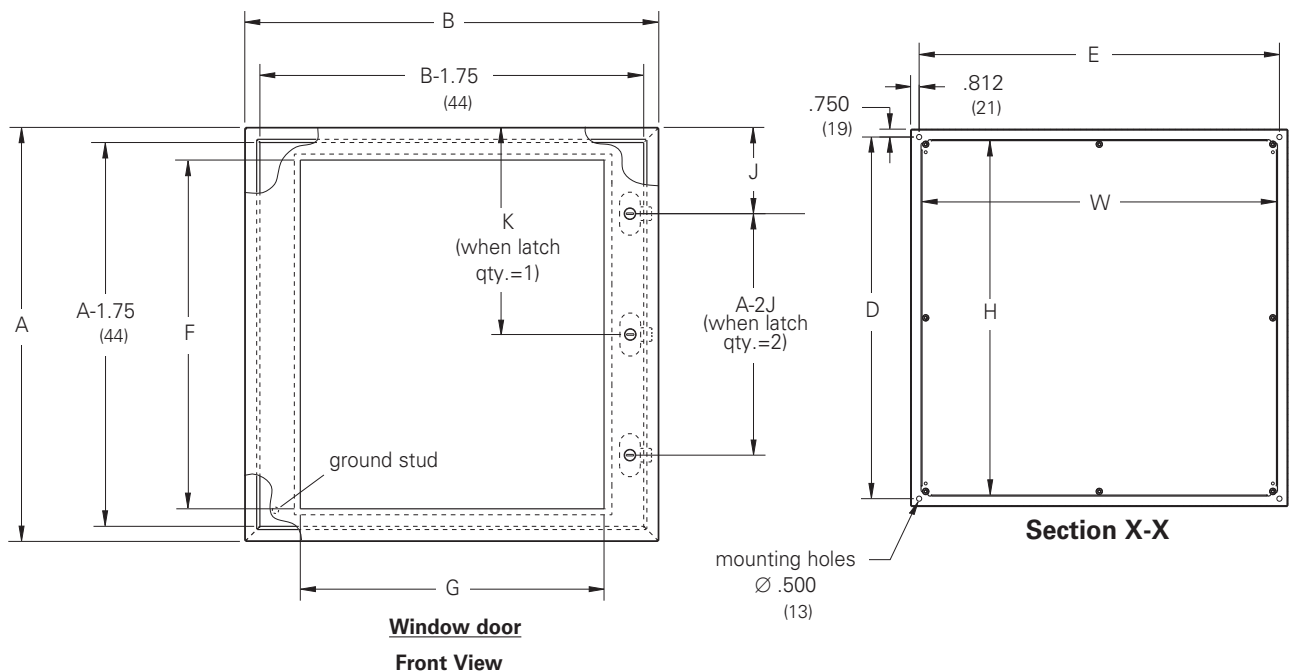
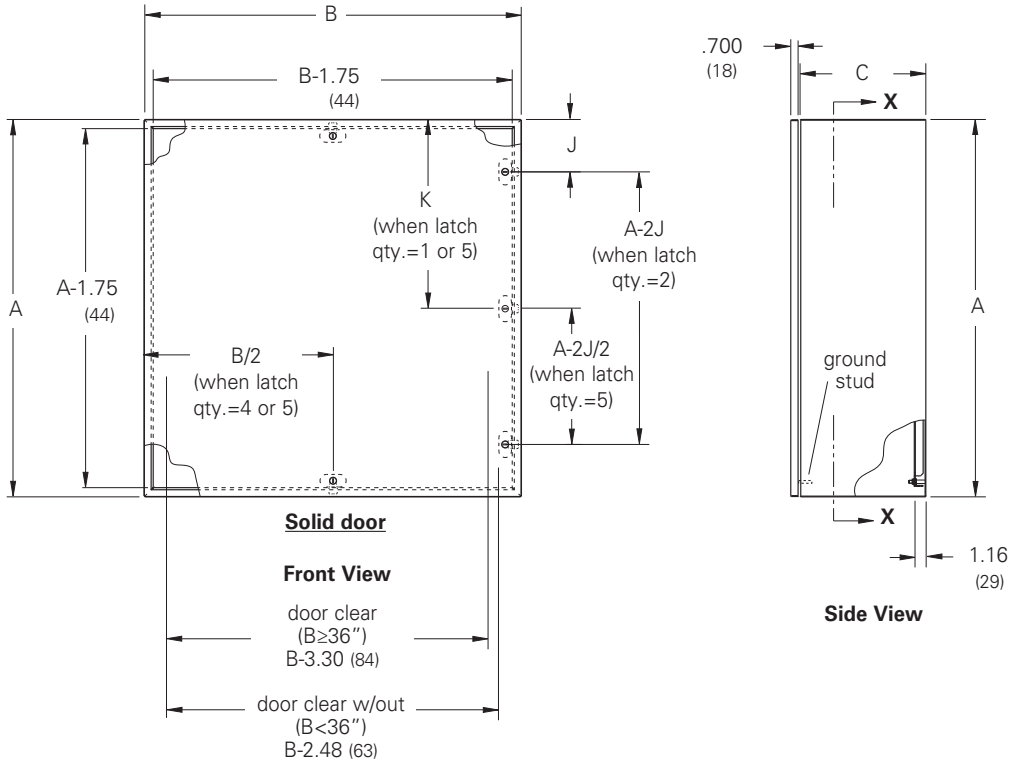
**Notes:** Dimensions are in inches. Millimeters shown are for reference only. Data subject to change without notice.

## Wall-Mount Enclosures

### Type 4X Premier™ Series, Stainless Steel With Quarter-Turn Latches

#### Illustration Sheet

See pages 207 & 208 for dimensions.



Type 4X Panel Enclosures

**Notes:** Dimensions are in inches. Millimeters shown are for reference only. Data subject to change without notice.

# Type 4X Panel Enclosures

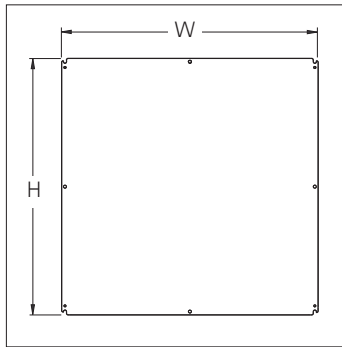
## Premier™ Series Accessories

Discount Schedule: C2

Subclass: see below

### Panels - Subclass: TDP

Premier panels can be installed in any Premier series enclosure and are up to 20% larger than standard NEMA panels. Panels above 24" are flanged. Steel panels have a white polyester powder paint finish. Stainless Steel and conductive galvanized sizes are available as shown in chart.



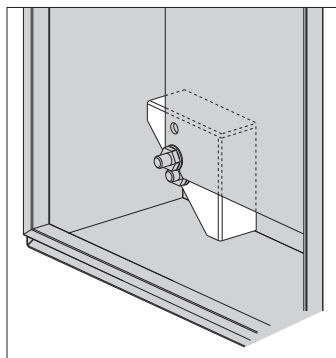
| Conductive | Catalog Number |           | Panel Size H x W |            | Gauge |
|------------|----------------|-----------|------------------|------------|-------|
|            | Steel          | Stainless | in.              | mm         |       |
| 108GP      | 108P           | 108PSS4   | 8.00 x 6.00      | 203 x 152  | 14    |
| 1210GP     | 1210P          | 1210PSS4  | 10.00 x 8.00     | 254 x 203  | 14    |
| 1212GP     | 1212P          | 1212PSS4  | 10.00 x 10.00    | 254 x 254  | 14    |
| 1612GP     | 1612P          | 1612PSS4  | 14.00 x 10.00    | 356 x 254  | 14    |
| 1616GP     | 1616P          | 1616PSS4  | 14.00 x 14.00    | 356 x 356  | 12    |
| 2016GP     | 2016P          | 2016PSS4  | 18.00 x 14.00    | 457 x 356  | 12    |
| 2020GP     | 2020P          | 2020PSS4  | 18.00 x 18.00    | 457 x 457  | 12    |
| 2416GP     | 2416P          | 2416PSS4  | 22.00 x 14.00    | 559 x 356  | 12    |
| 2420GP     | 2420P          | 2420PSS4  | 22.00 x 18.00    | 559 x 457  | 12    |
| 2424GP     | 2424P          | 2424PSS4  | 22.00 x 22.00    | 559 x 559  | 12    |
| 2442GP     | 2442P          | 2442PSS4  | 22.00 x 40.00    | 559 x 1016 | 12    |
| 3020GP     | 3020P          | 3020PSS4  | 28.00 x 18.00    | 711 x 457  | 12    |
| 3024GP     | 3024P          | 3024PSS4  | 28.00 x 22.00    | 711 x 559  | 12    |
| 3030GP     | 3030P          | 3030PSS4  | 28.00 x 28.00    | 711 x 711  | 12    |
| 3048GP     | 3048P          | 3048PSS4  | 28.00 x 46.00    | 711 x 1168 | 12    |
| 3060GP     | 3060P          | 3060PSS4  | 28.00 x 58.00    | 711 x 1473 | 12    |
| 3624GP     | 3624P          | 3624PSS4  | 34.00 x 22.00    | 864 x 559  | 12    |
| 3630GP     | 3630P          | 3630PSS4  | 34.00 x 28.00    | 864 x 711  | 12    |
| 3636GP     | 3636P          | 3636PSS4  | 34.00 x 34.00    | 864 x 864  | 12    |
| 4230GP     | 4230P          | 4230PSS4  | 40.00 x 28.00    | 1016 x 711 | 12    |
| 4236GP     | 4236P          | 4236PSS4  | 40.00 x 34.00    | 1016 x 864 | 12    |
| 4824GP     | 4824P          | 4824PSS4  | 46.00 x 22.00    | 1168 x 559 | 12    |
| 4836GP     | 4836P          | 4836PSS4  | 46.00 x 34.00    | 1168 x 864 | 12    |
| 6036GP     | 6036P          | 6036PSS4  | 58.00 x 34.00    | 1473 x 864 | 12    |

### NEMA Panel Adapters - Subclass: TD0

NEMA panel adapters allow standard NEMA panels to be used in Premier series enclosures. Decreased height and width of NEMA panels increase space around panel for wire management. Kit includes four adapters and four .375-16 flanged hex nuts.

Finish: Zinc Plated

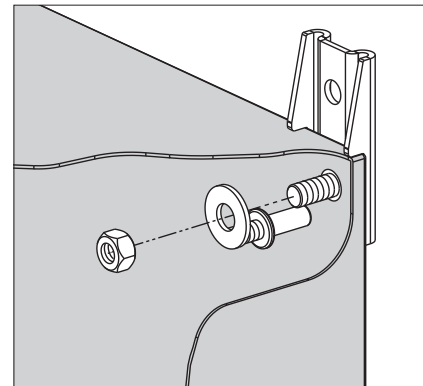
(Note: Cannot be used with enclosures 12" x 12" (305 mm x 305 mm) or smaller)



| Catalog Number | Qty. | For use with Premier Enclosures |
|----------------|------|---------------------------------|
| PCK4           | 4    | 30" x 30" or smaller            |

### Mounting Foot Kits - Subclass: TD0

Mounting foot kits are available in stainless steel. Four feet and hardware are included.



| Catalog Number | Qty. | Description              |
|----------------|------|--------------------------|
| WMKSS6         | 4    | Type 316 Stainless Steel |

Notes: Dimensions are in inches. Millimeters shown are for reference only. Data subject to change without notice.

## Premier™ Series Accessories

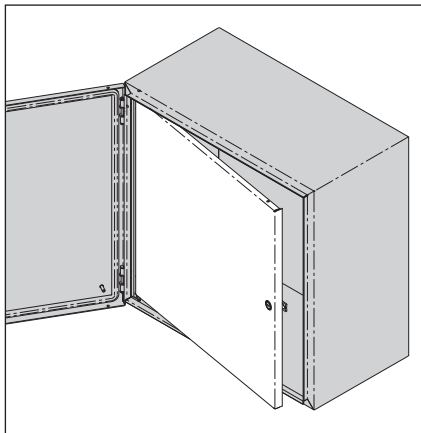
Discount Schedule: C2

Subclass: TD0

### Swing-Out Panels

Swing-out panels offer a means for mounting user components and equipment near the front of an enclosure opening. Panel pivots from front of enclosure to allow easy access to internal equipment. Swing-out panels are 14 gauge with a white polyester powder finish and includes all hardware for mounting to front flange of enclosure.

**(Note:** Cannot be used in conjunction with depth adjustment brackets).



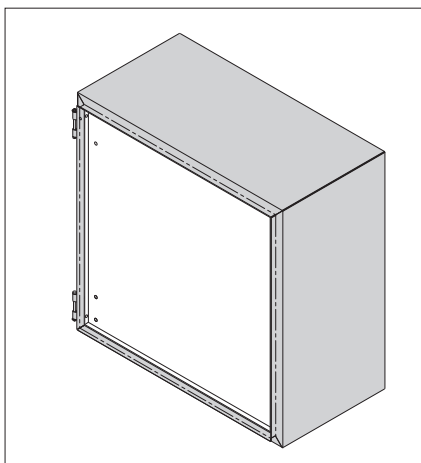
Note: Swing-out panel distance from panel face to inside of enclosure cover equals 1<sup>1</sup>/<sub>4</sub>".

| Catalog Number | Panel Size<br>Height x Width |           | For use with<br>Premier Enclosures<br>A x B |
|----------------|------------------------------|-----------|---|
|                | in.                          | mm        |   |
| 1212SP         | 9.78 x 9.84                  | 248 x 250 | 12"x12"                                     |
| 1612SP         | 13.78 x 9.84                 | 350 x 250 | 16"x12"                                     |
| 1616SP         | 13.78 x 13.84                | 350 x 352 | 16"x16"                                     |
| 1620SP         | 13.78 x 17.84                | 350 x 453 | 16"x20"                                     |
| 2016SP         | 17.78 x 13.84                | 452 x 352 | 20"x16"                                     |
| 2020SP         | 17.78 x 17.84                | 452 x 453 | 20"x20"                                     |
| 2024SP         | 17.78 x 21.84                | 452 x 555 | 20"x24"                                     |
| 2416SP         | 21.78 x 13.84                | 553 x 352 | 24"x16"                                     |
| 2420SP         | 21.78 x 17.84                | 553 x 453 | 24"x20"                                     |
| 2424SP         | 21.78 x 21.84                | 553 x 555 | 24"x24"                                     |
| 3020SP         | 27.78 x 17.84                | 706 x 453 | 30"x20"                                     |
| 3024SP         | 27.78 x 21.84                | 706 x 555 | 30"x24"                                     |
| 3030SP         | 27.78 x 27.84                | 706 x 707 | 30"x30"                                     |
| 3624SP         | 33.78 x 21.84                | 858 x 555 | 36"x24"                                     |
| 3630SP         | 33.78 x 27.84                | 858 x 707 | 36"x30"                                     |
| 3636SP         | 33.78 x 33.84                | 858 x 860 | 36"x36"                                     |

### Dead Front Panels

Dead front kits offer a means for mounting user components and equipment near the front of an enclosure opening. Also creates a barrier and controls access to the enclosure interior. Kit includes ANSI 61 gray panel and all hardware for mounting to enclosures.

**(Note:** Cannot be used in conjunction with depth adjustment brackets).



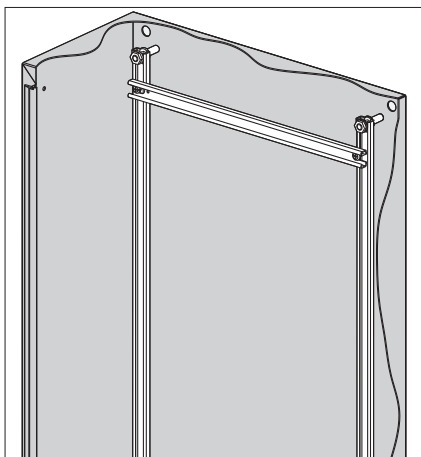
Note: Dead front panel distance from panel face to inside of enclosure cover equals 1<sup>1</sup>/<sub>4</sub>".

| Catalog Number | For use with<br>Premier Enclosures<br>A x B |
|----------------|---|
|                |   |
| 1212DF         | 12"x12"                                     |
| 1612DF         | 16"x12"                                     |
| 2016DF         | 20"x16"                                     |
| 2020DF         | 20"x20"                                     |
| 2420DF         | 24"x20"                                     |
| 2424DF         | 24"x24"                                     |
| 3024DF         | 30"x24"                                     |

### Mounting Channels

Mounting channels create a vertical or horizontal framework for DIN rail, flexible mounting straps, or other component attachment. Two channels provided for mounting on enclosure collar studs.

Finish: Zinc Plated



| Catalog Number | Qty. | For use with<br>Premier Enclosures |
|----------------|------|------------------------------------|
|                |      |                                    |
| 12MC           | 2    | 12" height or width                |
| 16MC           | 2    | 16" height or width                |
| 20MC           | 2    | 20" height or width                |
| 24MC           | 2    | 24" height or width                |
| 30MC           | 2    | 30" height or width                |
| 36MC           | 2    | 36" height or width                |
| 42MC           | 2    | 42" height or width                |
| 48MC           | 2    | 48" height or width                |
| 60MC           | 2    | 60" height or width                |

**Notes:** Dimensions are in inches. Millimeters shown are for reference only. Data subject to change without notice.

# Type 4X Panel Enclosures

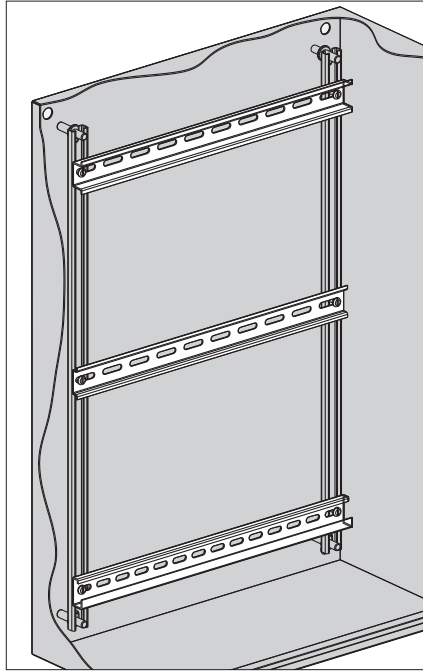
## Premier™ Series Accessories

Discount Schedule: C2

Subclass: TD0

### DIN Rail Kits

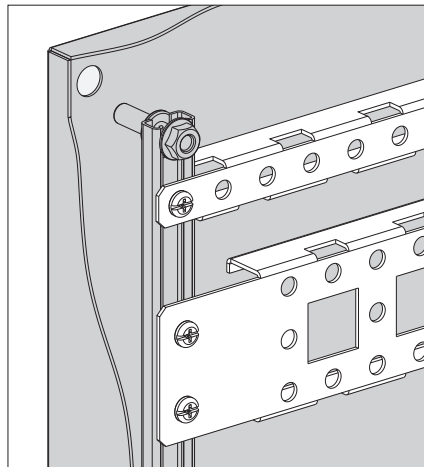
DIN rail kits provide flexibility for mounting DIN type snap-on equipment. Three styles; TS32x15, slotted; TS35x7.5, slotted; TS35x15, slotted all attach to collar studs either horizontally or vertically. Three DIN rails, screws and channel nuts are provided. Finish: Yellow Zinc



| Catalog Number | Description         | For use with Premier Enclosures |
|----------------|---------------------|---------------------------------|
| 12DR1P         | TS32 x 15, slotted  | 12" height or width             |
| 16DR1P         | TS32 x 15, slotted  | 16" height or width             |
| 20DR1P         | TS32 x 15, slotted  | 20" height or width             |
| 24DR1P         | TS32 x 15, slotted  | 24" height or width             |
| 12DR3P         | TS35 x 7.5, slotted | 12" height or width             |
| 16DR3P         | TS35 x 7.5, slotted | 16" height or width             |
| 20DR3P         | TS35 x 7.5, slotted | 20" height or width             |
| 24DR3P         | TS35 x 7.5, slotted | 24" height or width             |
| 12DRCP         | TS35 x 15, slotted  | 12" height or width             |
| 16DRCP         | TS35 x 15, slotted  | 16" height or width             |
| 20DRCP         | TS35 x 15, slotted  | 20" height or width             |
| 24DRCP         | TS35 x 15, slotted  | 24" height or width             |

### Flexible Mounting Straps

Flexible mounting straps offer a versatile, horizontal or vertical mounting method inside enclosure body. Two designs; 1-hole or 3-hole pattern increase mounting flexibility and attach to enclosure collar studs. Flexible mounting strap kit contains two straps and hardware. Finish: Zinc Plated



| Catalog Number | Description | Fits Premier Enclosures |
|----------------|-------------|-------------------------|
| 12GS1          | 1 hole      | 12" height or width     |
| 16GS1          | 1 hole      | 16" height or width     |
| 20GS1          | 1 hole      | 20" height or width     |
| 24GS1          | 1 hole      | 24" height or width     |
| 30GS1          | 1 hole      | 30" height or width     |
| 36GS3          | 3 hole      | 36" height or width     |
| 42GS3          | 3 hole      | 42" height or width     |
| 48GS3          | 3 hole      | 48" height or width     |
| 60GS3          | 3 hole      | 60" height or width     |

**Notes:** Dimensions are in inches. Millimeters shown are for reference only. Data subject to change without notice.

## Premier™ Series Accessories

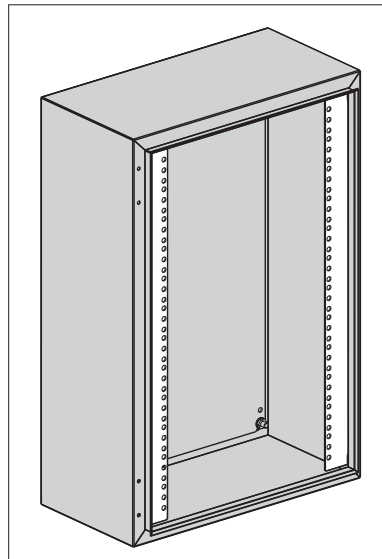
Discount Schedule: C2

Subclass: TD0

### Rack Mounting Angles

Relay rack angles are designed for mounting EIA 19" rack mount equipment inside 24" wide enclosures. Fabricated from 14 gauge steel and zinc plated. Rack angles are mounted to enclosure flange with hardware provided. Rack mount angles are untapped and require screws and cage nuts for equipment mounting (order separately).

Finish: Zinc Plated



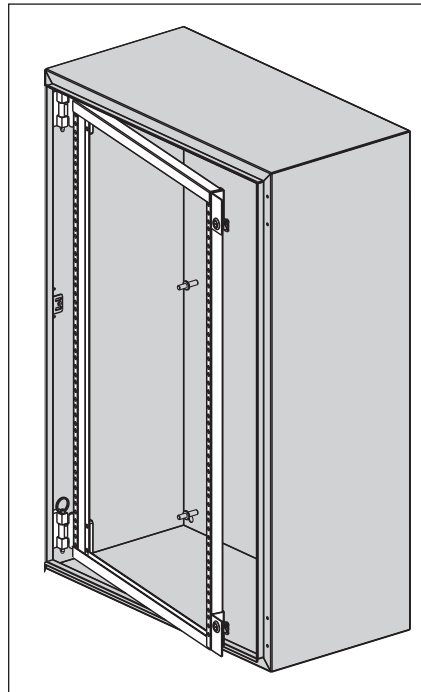
| Catalog Number | For use with Premier Enclosures | Mounting Units |
|----------------|---------------------------------|----------------|
| 10URMA         | 20" height                      | 10             |
| 12URMA         | 24" height                      | 12             |
| 16URMA         | 30" height                      | 16             |
| 19URMA         | 36" height                      | 19             |
| 26URMA         | 48" height                      | 26             |

Universal Spacing [5/8" (16mm), 5/8" (16mm), 1/2" (13mm)]

### Swing-Out Rack Frames

Swing-out rack frames allow mounting of EIA 19" rack mount equipment. Flexible pivoting framework provides access to back of equipment or other internal components. Designed for use with 24" wide Premier series enclosures. Mounting hardware included. Swing-out rack frame holes are untapped and require screws and cage nuts for equipment mounting (order separately).

**(Note:** Cannot be used in conjunction with depth adjustment brackets).  
Finish: ANSI Gray Polyester Powder



| Catalog Number | For use with Premier Enclosures | Mounting Units |
|----------------|---------------------------------|----------------|
| 2424SF         | 24" x 24"                       | 11             |
| 3024SF         | 30" x 24"                       | 15             |
| 3624SF         | 36" x 24"                       | 18             |

Universal Spacing [(5/8" (16mm), 5/8" (16mm), 1/2" (13mm)]

**Notes:** Dimensions are in inches. Millimeters shown are for reference only. Data subject to change without notice.



# Type 4X Panel Enclosures

## Premier™ Series Accessories

Discount Schedule: C2

Subclass: TD0

### Handles

Padlocking, key-locking or non-locking handles are interchangeable with standard slotted quarter-turn flush latch on Premier series enclosures. Available keyed alike or keyed different, please specify when ordering.



| Catalog Number | Description                               | Latch Type   |
|----------------|---|--------------|
| WMHNL          | Wall-mount handle, non-locking            | Single point |
| WMHK-01        | Wall-mount handle, key-locking - keyed 01 | Single point |
| WMHK-02        | Wall-mount handle, key-locking - keyed 02 | Single point |
| WMHK-03        | Wall-mount handle, key-locking - keyed 03 | Single point |
| WMHK-04        | Wall-mount handle, key-locking - keyed 04 | Single point |
| WMHPTO         | Wall-mount handle, padlockable            | Single point |

### Security Latch Inserts

Security latch inserts interchange with slotted quarter-turn flush latch and provide security and control access to interior of enclosure. Inserts include matching key.



7MTLK

| Catalog Number | Description                 | Latch Type   |
|----------------|-----------------------------|--------------|
| 7MTLK          | 7mm triangular latch insert | Single point |
| 7MSLK          | 7mm square latch insert     | Single point |
| 3MDBLK         | 3mm double bit latch insert | Single point |



7MSLK



3MDBLK

### Print Pockets

Print pockets provide a convenient place to store operation manuals, diagrams, or other documents inside the enclosure. Thermoplastic pockets are gray and have cut away areas for viewing contents. Pockets have adhesive backing for mounting inside on enclosure door.



| Catalog Number | Length x Width |
|----------------|----------------|
| 32170          | 6" x 6"        |
| 32171          | 10" x 10"      |

**Notes:** Dimensions are in inches. Millimeters shown are for reference only. Data subject to change without notice.